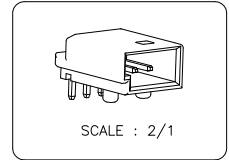
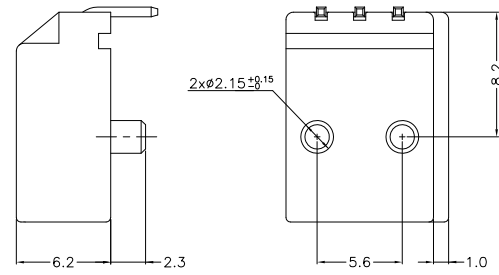
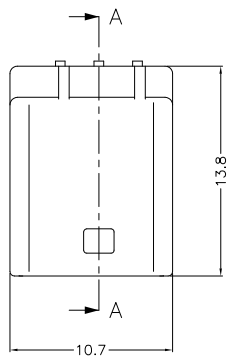
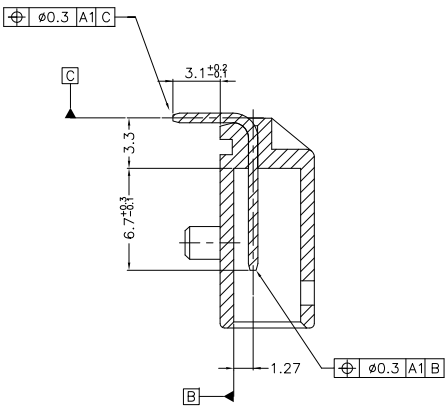
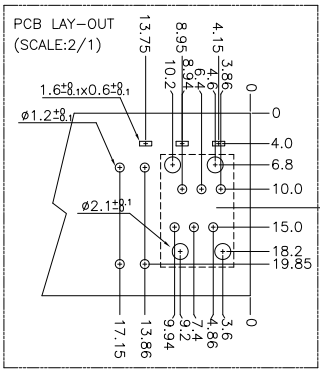


THIS DRAWING IS UNPUBLISHED. RELEASED FOR PUBLICATION
 © COPYRIGHT 19 BY AMP INCORPORATED. ALL RIGHTS RESERVED.

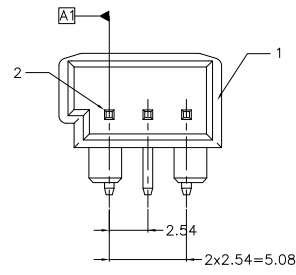
LOC	DIST	REVISIONS			
P	LTR	DESCRIPTION	DATE	DWN	APVD
O		RELEASED (FC00-0101-99)	8/SEP '99	YD	CS
A		REVISED (ECR-09-023887)	02/NOV/09	YM	HG



SECTION A-A



PIN HDR ASS'Y
 INSERTION AREA



- NOTE
- PULL-OUT FORCE OF THE CONTACT ≥25N WHEN V=25mm/Min
 - BE MATED WITH PLUG HSG (P/NO: 965444-1) SMOOTHLY

ITEM	PART NO.	DESCRIPTION	MATERIAL	COLOR/FINISH	QTY
3	368314-1	063 CONTACT PIN FOR HLLD	BRONZE	TIN	3
2	368313-2	PIN HEADER HSG, 3POS, MQS	PBT-GF15	NATURE	1
1	368313-1	PIN HEADER HSG, 3POS, MQS	PBT-GF15	BLACK	1

<small>THIS DRAWING IS A CONTROLLED DOCUMENT FOR AMP INCORPORATED. IT IS SUBJECT TO CHANGE AND THE CONTROLLING ENGINEERING ORGANIZATION SHOULD BE CONTACTED FOR THE LATEST REVISION.</small>		DWN YM LEE CHK JW JUNG APVD HS CHO PRODUCT SPEC 108-61038 APPLICATION SPEC 114-18021 WEIGHT 0.74g		Tyco Electronics Tyco Electronics kyungsan, korea NAME PIN HEADER ASS'Y, 3POS, MQS SIZE A3 CAGE CODE 00779 DRAWING NO 3 6 8 3 1 2 SCALE 4/1	
DIMENSIONS: MM 3rd ANGLE PROJECTION		TOLERANCES UNLESS OTHERWISE SPECIFIED: 0<XX<10 ± 0.2 10<XX<30 ± 0.25 30<XX<100 ± 0.3 ANGLES ± 3°		PART NO DESCRIPTION 368312-2 PIN HEADER ASS'Y, 3PS, MQS 368312-1 PIN HEADER ASS'Y, 3PS, MQS	