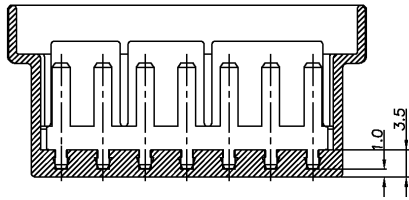
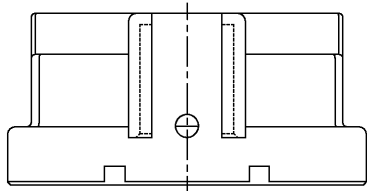
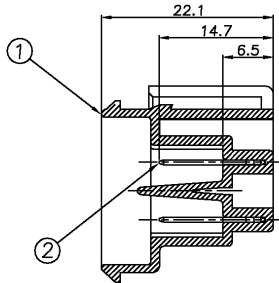
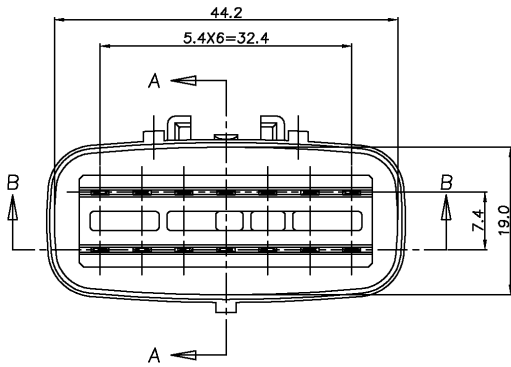


THIS DRAWING IS UNPUBLISHED. RELEASED FOR PUBLICATION .19
 © COPYRIGHT 19 BY AMP INCORPORATED. ALL RIGHTS RESERVED.

LOC		DIST		REVISIONS			
P	LTR	DESCRIPTION		DATE	DWN	APVD	
	0	RELEASED(FC00-0076-98)		23/SEP/98	YU	CS	



SECT B-B
(S 2:1)



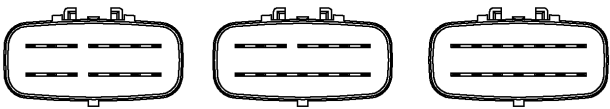
SECT A-A

NOTE
 1. MATING PLUG ASS'Y P/N: 368268

ASSY NO	DESCRIPTION
368268-3	.090 SPLICE PACK 14P ASSY
368268-2	.090 SPLICE PACK 14P ASSY
368268-1	.090 SPLICE PACK 14P ASSY

NO	DESCRIPTION	MATERIAL	COLOR	P/N	Q'TY
2	TAB (7P)	BRASS		368870-3	2 1
2	TAB (4P)	BRASS		368870-2	1 2
2	TAB (3P)	BRASS		368870-1	1 2
1	.090 14P SPLICE PACK CAP HSG	PA 66	BROWN	368279-3	1
1	.090 14P SPLICE PACK CAP HSG	PA 66	GRAY	368279-2	1
1	.090 14P SPLICE PACK CAP HSG	PA 66	BLACK	368279-1	1

TAB ASS'Y LAYOUT



368268-1

368268-2

368268-3

THIS DRAWING IS A CONTROLLED DOCUMENT FOR AMP INCORPORATED. IT IS SUBJECT TO CHANGE AND THE CONTROLLING ENGINEERING MANAGER SHOULD BE CONTACTED FOR THE LATEST REVISION.

DIMENSIONS: MM

TOLERANCES UNLESS OTHERWISE SPECIFIED:

± 0.15

± 1°



3rd ANGLE PROJECTION

MATERIAL FINISH SEE TABLE

DWN	
CHK	
APVD	
PRODUCT SPEC	
APPLICATION SPEC	
WEIGHT	

AMP AMP KOREA, kyungsan, korea

NAME: .090 14P SPLICE PACK CAP ASS'Y

SIZE: A3 CAGE CODE: 00779 DRAWING NO: 368268

SCALE: 2:1 SHEET 1 OF 1 REV 0