

4

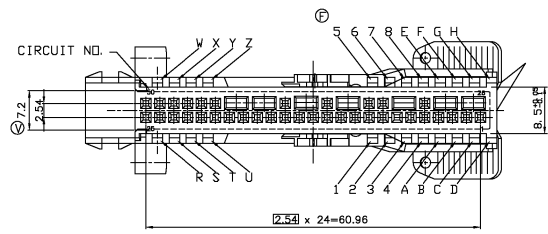
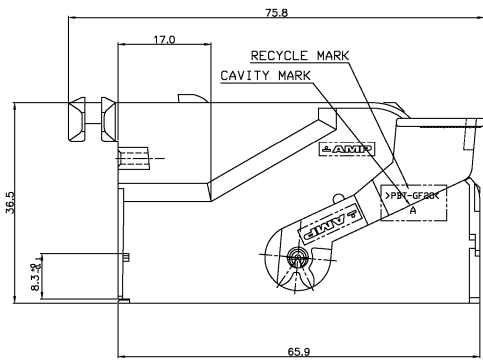
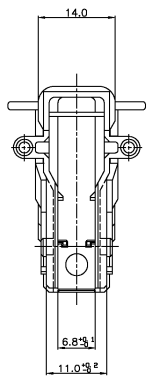
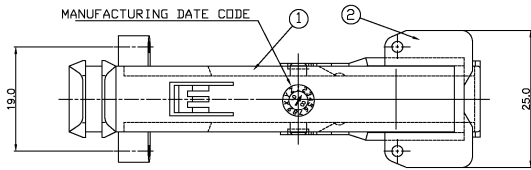
3

2

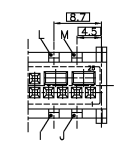
1

THIS DRAWING IS UNPUBLISHED. RELEASED FOR PUBLICATION  
 COPYRIGHT © BY TYCO ELECTRONICS CORPORATION. ALL RIGHTS RESERVED.

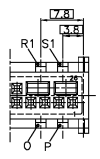
LOC	DEST	REVISIONS				
P	LTR	DESCRIPTION	DATE	OWN	APPR	
P		REVISED (FC00-0039-02)	22.MAR.02	MS	CS	
R		REVISED (FC00-0002-03)	16.JUN.03	MS	CS	
S		REVISED (FC00-0072-03)	05.JUN.03	YD.	CS	
T		REVISED (FC00-0008-04)	05.FEB.04	YD.	CS	
U		REVISED (FC00-0046-04)	23.MAR.04	YD.	CS	
V		REVISED (FC00-0097-04)	28.MAY.04	YD.	CS	



NOTE  
 1. DRAWING KEY IS <D-H>  
 2. APPLICABLE PLUG HOUSING ASS'Y: P/N 368233



VIEW CODE "JLM"



VIEW CODE "OPR1S1"

ITEM NO.	DESCRIPTION	P/N	COLOR	Q'TY
2	LEVER HOUSING	368235-1	BLACK	1
1	COVER HOUSING	SEE TABLE	SEE TABLE	1

DIMENSIONS: MM TOLERANCES UNLESS OTHERWISE SPECIFIED: 0 XXXX ± 0.2 150000 ± 0.25 30000 ± 0.3 ANGLES ± 3° 3rd ANGLE PROJECTION MATERIAL: SEE TABLE FINISH: SEE TABLE	DRAWN: HS HER CHK: BK JANG APVD: CS LEE NAME: PRODUCT SPEC: APPLICATION SPEC: WEIGHT: SCALE: 2/1 SHEET: 1 OF 3 REV: V	<b>tyco</b> AMP KOREA, kyungsan, korea <b>AIRBAG 50P COVER ASS'Y</b> SIZE: A2 CASE CODE: 00779 DRAWING NO: 368231 RESTRICTED TO:
---	--	---



4

3

2

1

THIS DRAWING IS UNPUBLISHED. RELEASED FOR PUBLICATION.  
 © COPYRIGHT BY TYCO ELECTRONICS CORPORATION. ALL RIGHTS RESERVED.

LOC	REV	DATE	BY	APPV
DS				
P LTR		DESCRIPTION		
SEE DRAWING 1/3				

2-368231						
QTY	0-368235-1	LEVER HSG	PBT GF20	BLACK	CODE	
1	2-368232-9			Orange Black (MIL 9011)	B-D	
1	2-368232-6			Blue Lites (MIL 4005)	C-M	
1	2-368232-7			Clear Violet (MIL 4004)	B-M	
1	2-368232-6			Yellow Green (MIL 2008)	A-M	
1	2-368232-4			Black Gray (MIL 7012)	D-L	
1	2-368232-3			Tricolor Yellow (MIL 1023)	C-L	
1	2-368232-2			Tricolor Blue (MIL 1023)	B-L	
1	2-368232-1			Leaf Green (MIL 2002)	A-L	
1	2-368232-0	COVER HSG	PBT GF20	Red Violet (MIL 4003)	J-H	
1	2-368232-0	COVER HSG	PBT GF20	Orange Black (MIL 9011)	O-X	
NO	PART NO	DESCRIPTION	MATERIAL	COLOR	CODE	REQUIRED PER ASSEMBLY

5-368231						
QTY	0-368235-1	LEVER HSG	PBT GF20	BLACK	CODE	
1	5-368232-9			Blue Green (MIL 8005)	A-X	
1	5-368232-8			Forest Blue (MIL 5014)	A-W	
1	5-368232-7			Light Blue (MIL 2003)	3-6	
1	5-368232-6			Blue Lites (MIL 4005)	2-6	
1	5-368232-5			Blue Lites (MIL 4005)	4-6	
1	5-368232-4			Forest Blue (MIL 5014)	J-S1	
1	5-368232-3			Forest White (MIL 8001)	I-S1	
1	5-368232-2			Forest White (MIL 8001)	J-R1	
1	5-368232-1			Orange Black (MIL 9011)	P-R1	
1	5-368232-0	COVER HSG	PBT GF20	Orange Black (MIL 9011)	P-R1	
NO	PART NO	DESCRIPTION	MATERIAL	COLOR	CODE	REQUIRED PER ASSEMBLY

8-368231						
QTY	0-368235-1	LEVER HSG	PBT GF20	BLACK	CODE	
1	8-368232-9			Green Violet (MIL 2002)	P-E	
1	8-368232-8			Red Violet (MIL 4003)	C-Z	
1	8-368232-7			Headlight Violet (MIL 4003)	C-S1	
1	8-368232-6			Tricolor Purple (MIL 1023)	C-R1	
1	8-368232-5			Blue Lites (MIL 4005)	B-S1	
1	8-368232-4			Forest Blue (MIL 5014)	B-R1	
1	8-368232-3			Forest White (MIL 8001)	A-S1	
1	8-368232-2	COVER HSG	PBT GF20	Leaf Green (MIL 2002)	A-R1	
1	8-368232-1	COVER HSG	PBT GF20	Leaf Green (MIL 2002)	O-G	
NO	PART NO	DESCRIPTION	MATERIAL	COLOR	CODE	REQUIRED PER ASSEMBLY

3-368231						
QTY	0-368235-1	LEVER HSG	PBT GF20	BLACK	CODE	
1	3-368232-9			Leaf Green (MIL 2002)	C-F	
1	3-368232-8			Orange Black (MIL 9011)	I-J	
1	3-368232-7			Forest Blue (MIL 5014)	J-M	
1	3-368232-6			Forest Blue (MIL 5014)	J-L	
1	3-368232-5			Orange Black (MIL 9011)	3-B	
1	3-368232-4			Signal Yellow (MIL 1003)	2-B	
1	3-368232-3			Orange Black (MIL 9011)	I-M	
1	3-368232-2			Leaf Green (MIL 2002)	I-L	
1	3-368232-1			Light Blue (MIL 2003)	D-M	
1	3-368232-0	COVER HSG	PBT GF20	Orange Black (MIL 9011)	O-Y	
NO	PART NO	DESCRIPTION	MATERIAL	COLOR	CODE	REQUIRED PER ASSEMBLY

6-368231						
QTY	0-368235-1	LEVER HSG	PBT GF20	BLACK	CODE	
1	6-368232-9			Luminous Green (MIL 2002)	C-X	
1	6-368232-8			Orange Black (MIL 9011)	C-W	
1	6-368232-7			Leaf Green (MIL 2002)	O-E	
1	6-368232-6			Luminous Green (MIL 2002)	B-Z	
1	6-368232-5			Forest Blue (MIL 5014)	B-Y	
1	6-368232-4			Forest Blue (MIL 5014)	B-X	
1	6-368232-3			Leaf Green (MIL 2002)	B-W	
1	6-368232-2			Blue Lites (MIL 4005)	A-Z	
1	6-368232-1			Luminous Green (MIL 2002)	A-Y	
1	6-368232-0	COVER HSG	PBT GF20	Red Violet (MIL 4003)	P-S1	
NO	PART NO	DESCRIPTION	MATERIAL	COLOR	CODE	REQUIRED PER ASSEMBLY

9-368231						
QTY	0-368235-1	LEVER HSG	PBT GF20	BLACK	CODE	
1	9-368232-9			Signal Violet (MIL 4003)	O-S1	
1	9-368232-8			Leaf Green (MIL 2002)	J-Z	
1	9-368232-7			Leaf Green (MIL 2002)	J-Y	
1	9-368232-6			Orange Black (MIL 9011)	J-X	
1	9-368232-5			Forest Green (MIL 2002)	J-W	
1	9-368232-4			Forest Green (MIL 2002)	J-V	
1	9-368232-3			Forest Green (MIL 2002)	D-R1	
1	9-368232-2			Signal Yellow (MIL 1003)	P-G	
1	9-368232-1	COVER HSG	PBT GF20	Signal Yellow (MIL 1003)	P-F	
NO	PART NO	DESCRIPTION	MATERIAL	COLOR	CODE	REQUIRED PER ASSEMBLY

4-368231						
QTY	0-368235-1	LEVER HSG	PBT GF20	BLACK	CODE	
1	4-368232-9			White Aluminum (MIL 2002)	P-H	
1	4-368232-8			Blue Gray (MIL 7012)	P-M	
1	4-368232-7			Orange Black (MIL 9011)	P-L	
1	4-368232-6			Red Violet (MIL 4003)	O-H	
1	4-368232-5			Tricolor Purple (MIL 1023)	O-M	
1	4-368232-4			Forest Green (MIL 2002)	O-L	
1	4-368232-3			Blue Lites (MIL 4005)	A-F	
1	4-368232-2			Headlight Violet (MIL 4003)	C-E	
1	4-368232-1			Forest White (MIL 8001)	O-Z	
1	4-368232-0	COVER HSG	PBT GF20	Orange Black (MIL 9011)	A-G	
NO	PART NO	DESCRIPTION	MATERIAL	COLOR	CODE	REQUIRED PER ASSEMBLY

7-368231						
QTY	0-368235-1	LEVER HSG	PBT GF20	BLACK	CODE	
1	7-368232-9			Red Violet (MIL 4003)	O-F	
1	7-368232-8			Orange Black (MIL 9011)	D-Z	
1	7-368232-7			Tricolor Red (MIL 1023)	I-Z	
1	7-368232-6			Forest Green (MIL 2002)	I-Y	
1	7-368232-5			Light Green (MIL 3012)	D-Y	
1	7-368232-4			Red Violet (MIL 4003)	D-X	
1	7-368232-3			Tricolor Yellow (MIL 1003)	I-X	
1	7-368232-2			Forest White (MIL 8001)	I-W	
1	7-368232-1	COVER HSG	PBT GF20	Red Violet (MIL 4003)	O-Y	
NO	PART NO	DESCRIPTION	MATERIAL	COLOR	CODE	REQUIRED PER ASSEMBLY

DIMENSIONS: MM 3rd ANGLE PROJECTION SEE TABLE		TOLERANCES UNLESS OTHERWISE SPECIFIED 0.00010 ± 0.2 18.00000 ± 0.25 30.000 ± 0.3 ANGLES ± 3°		DWG. TFL LEE CRK / BN JANG APVD / GS LEE DATE: 07/24/03 DRAWING 1/3		<b>tyco</b> <b>Electronics</b> AMP KOREA, kyungsan, korea	
MATERIAL: SEE TABLE				FINISH: SEE TABLE			
PART NAME: AIRBAG 50P COVER ASS'Y				SIZE: CASE CODE: DRAWING NO: A200779 © 368231			
RESTRICTED TO:				SCALE: 2/1 SHEET 3 OF 3 REV V			