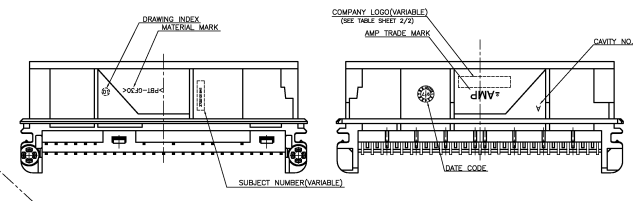
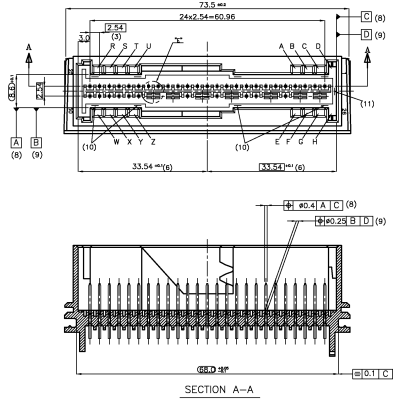
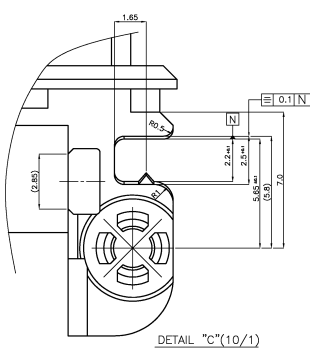
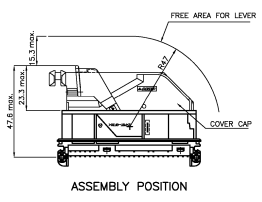
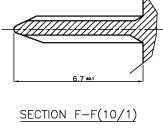
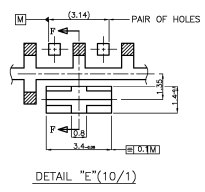
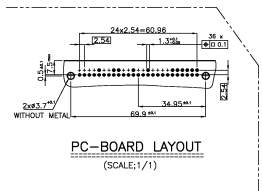
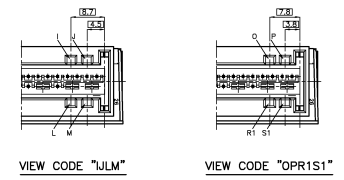
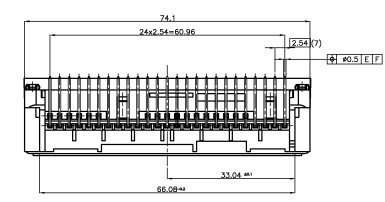
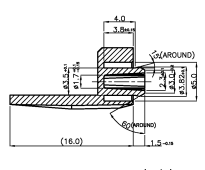
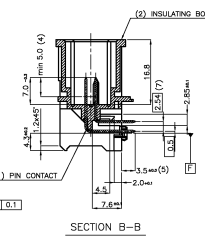
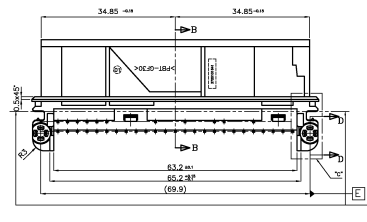
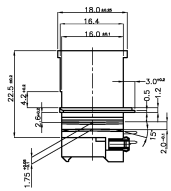


NOT BEING TO OPERATE. RECESS FOR POSITION.
 IF THIS ELECTRICAL COMPONENT IS NOT REVERSE

REV	DATE	REVISIONS	BY	CHK	APP
S	REVISED	(FC00-0039-02)	SH/AN	YH	CS
T	REVISED	(FC00-0002-03)	SH/AN	YH	CS
U	REVISED	(FC00-0072-03)	SH/AN	YH	CS
V	REVISED	(FC00-0008-04)	SH/AN	YH	CS
W	REVISED	(FC00-0048-04)	SH/AN	YH	CS
Y	REVISED	(EGR-06-028031)	HA/PM/SH	BH	JK



- NOTES
- (1) PIN CONTACT : ± 0.03
 MATERIAL : Cu96
 - (2) FINISH : SEE TABLE SHEET 2/2.
 - (3) EXERTING FORCE IN DIRECTION OF CONNECTION (DETECTION AS SEPARATE OPERATION)
 - * >20N but $\leq 200\text{mm/min}$, AFTER SOLDERING STRESS
 - * >40N but $\leq 100\text{mm/min}$
 - (4) ENVIRONMENTAL REQUIREMENTS ACCORDING TO AMP SPEC 108-61031
 - * NO MOSHIR-EFFECT BY ASSEMBLY FORCE $\leq 50\text{N}$
 - * DRAWING KEY B (0-1)
 - * FREE OF LOOSE METAL PARTS
 - * PIN CONNECTOR : FREE OF CADMIUM ($\leq 50\text{ppm}$)
 - (5) INSULATING BODY
 - (1) MATERIAL : PBT + GF30K
 - (2) COLOR : CONSULT THE DRAWING
 - (3) ALLOWED RECYCLED MATERIAL MAX 25%
 - (4) MATING AREA
 - (5) SOLDERING AREA
 - (6) MEASURED TO THE CENTER LINE OF THE INSULATING BODY
 - (7) CONNECTIONS SUITABLE FOR HOLE DIAMETER 1.3, SEE PC-BOARD LAYOUT
 - (8) MEASURED AT PIN TOP(7MM ABOVE BOTTOM)
 - (9) MEASURED AT THE BOTTOM
 - (10) MEASUREMENT POINTS FOR REFERENCE
 - (11) MEASUREMENT POINTS FOR REFERENCE



WORLDWIDE ELECTRONIC COMPONENTS DISTRIBUTOR	DATE IN USE	AMP KOREA
DATE IN USE	DATE IN USE	kyungson, Korea
PROJECT SPEC	PROJECT SPEC	AIR BAG 50P HEADER ASSY
APPLICATION SPEC	DATE CODE (REVISED NO)	00779 368213
REVISION	CUSTOMER DRAWING	SCALE: 2/1 SHEET 1 OF 2 REV. Y

