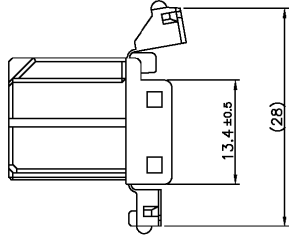
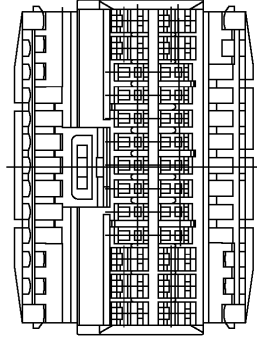
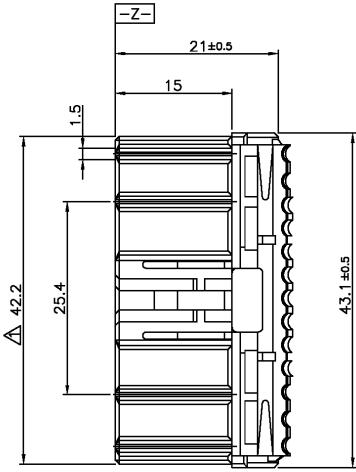
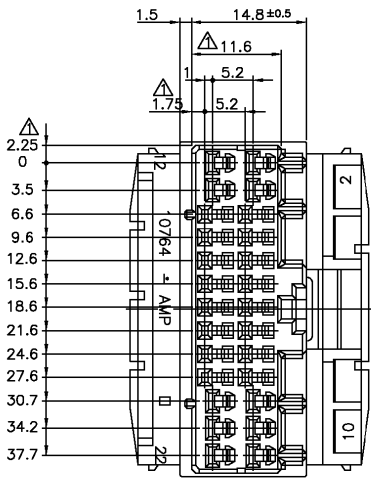


THIS DRAWING IS UNPUBLISHED. RELEASED FOR PUBLICATION
 © COPYRIGHT BY TYCO ELECTRONICS CORPORATION, ALL RIGHTS RESERVED.

LOC	DIST	REVISIONS			
P	LTR	DESCRIPTION	DATE	DWN	APVD
	O	RELEASED(RD96-369)	NOV/25/96	HS	CS
	A	REVISED(FC00-0115-98)	DEC/24/98	HS	CS
	B	REVISED(FC00-0084-03)	09/JUN/03	HS	CS



YELLOW	-7
GRAY	-6
BLACK	-2
NATURAL	-1
COLOR	P/N

NOTES;

- △ MUST BE KEPT BETWEEN [-Z-] AND 2mm.
- THE MATING CAP HOUSING PART NUMBER, 174518
- APPLIDE CONTACT PART NUMBER, 173631, 173716
- APPLICABLE PRODUCT SPEC NO. 108-5280

<small>THIS DRAWING IS UNPUBLISHED. RELEASED FOR PUBLICATION. IF IT IS SUBJECT TO CHANGE AND THE SUPPLIER HAS ANY QUESTIONS, CONTACT THE TYCO ELECTRONICS CORPORATION. SHOULD BE CONTACTED FOR THE LATEST REVISION.</small>		DWN			AMP KOREA.
DIMENSIONS: MM		CHK	NAME		kyungsan, korea
TOLERANCES UNLESS OTHERWISE SPECIFIED: 0 <XX<10 ± 0.2 10 <XX<30 ± 0.25 30 <XX ± 0.3 ANGLES ± 3°		APVD	26P PLUG HOUSING, HYBRID I/O CONN.		
 3rd ANGLE PROJECTION		PRODUCT SPEC	SIZE		RESTRICTED TO
MATERIAL PBT		APPLICATION SPEC	A3	CAGE CODE	
FINISH		WEIGHT	00779	DRAWING NO	368136
				SCALE	2/1
				SHEET	1 OF 1
				REV	B