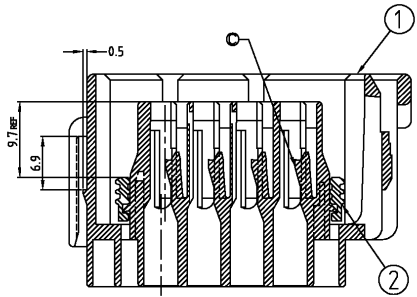
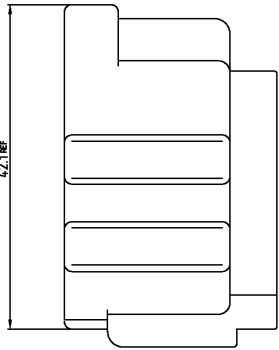
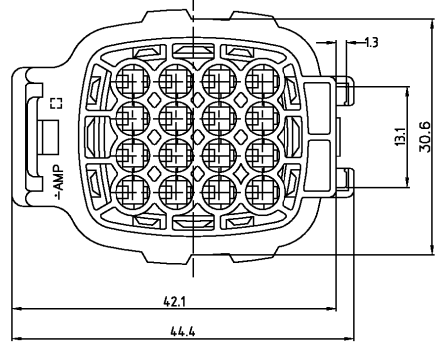
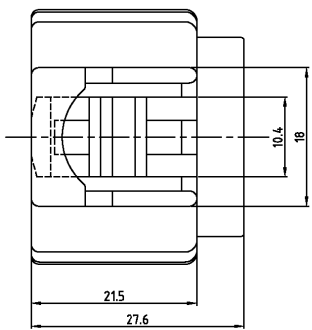
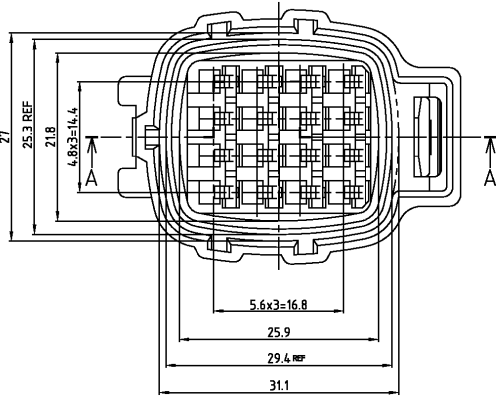


THIS DRAWING IS UNPUBLISHED. RELEASED FOR PUBLICATION
 © COPYRIGHT ALL RIGHTS RESERVED.

LOC		DIST		REVISIONS			
P	LTR	DESCRIPTION	DATE	DWN	APVD	RK	HMR
C1		REVISED PER ECO-11-005294	07APR11	RK	HMR		



NOTE.
 1. FOR CAP HOUSING P/N 368050
 2. THIS PART IS COMPOSED OF PLUG HOUSING P/N 368048 AND SEAL RING P/N 368810-1/-4.
 3. THIS PART MUST BE USED WITH DOUBLE LOCK PLATE P/N 368049
 4. APPLICABLE CLIP P/N 368121

①	②	ASS'Y P/N
1-368047-3		
1-368047-1		
368047-3		
368047-1		

NO	PART NO.	DESCRIPTION	MATERIAL	COLOR	REV.	QTY PER ASS'Y
2	368810-4	SEAL RING FOR EJ MKII(+)- PLUG ASS'Y	SILICONE	BROWN	E	1
	368810-1	SEAL RING FOR EJ MKII(+)- PLUG ASS'Y	NBR	BLACK	E	1
1	368048-3	EJ MKII(+)- 16Pos. PLUG HSG	PBT	GRAY	B	1
	368048-1	EJ MKII(+)- 16Pos. PLUG HSG	PBT	BLACK	B	1

DIMENSIONS: MM		TOLERANCES UNLESS OTHERWISE SPECIFIED: 0 CXX<10 ± 0.2 10 CXX<30 ± 0.25 30 CXX ± 0.3 ANGLES ± 3°		DWN YMA			
3-D ANGLE PROJECTION		MATERIAL: SEE TABLE		CHK BY JANG			
3-D ANGLE PROJECTION		FINISH		APVD CS LEE		SIZE: A3	
MATERIAL: SEE TABLE		FINISH		PRODUCT SPEC: ---		CAGE CODE: 00779	
MATERIAL: SEE TABLE		FINISH		APPLICATION SPEC: ---		DRAWING NO: 368047	
MATERIAL: SEE TABLE		FINISH		WEIGHT: ---		SCALE: 2:1	
MATERIAL: SEE TABLE		FINISH		WEIGHT: ---		SHEET: 1 OF 1	
MATERIAL: SEE TABLE		FINISH		WEIGHT: ---		REV: C1	