

4

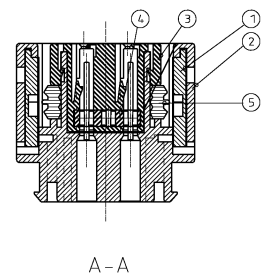
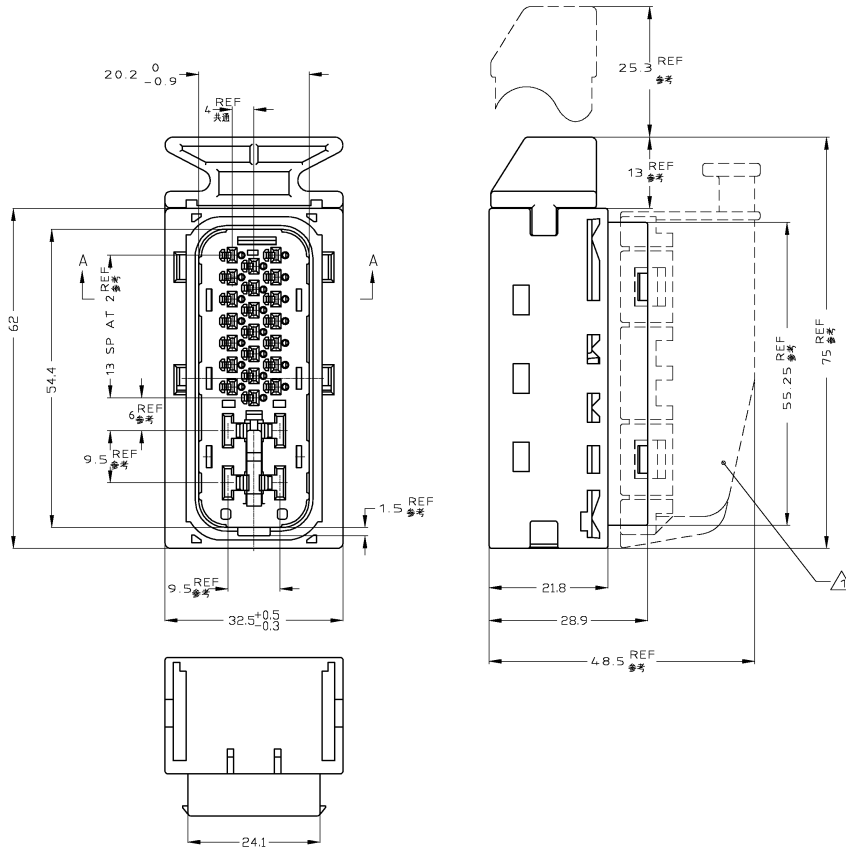
3

2

1

THIS DRAWING IS UNPUBLISHED. RELEASED FOR PUBLICATION. DRAWG. 316874-006
 © COPYRIGHT 1986 BY TYCO ELECTRONICS CORPORATION. ALL RIGHTS RESERVED.

LOC	DIST	REVISIONS			
J	-	REV	DESCRIPTION	DATE	BY
		C3	ADDED -4	ECR-06-018749	13NOV06 SU YF



- ▲適用ワイヤーカバー: 316873-2
- ▲取扱説明書: 411-5789-1, 411-5982
- 3. キャビ埋めパターン; シート2 OF 2参照
- ▲APPLY WIRE COVER: 316873-2
- ▲INSTRUCTION SHEET: 411-5789, 411-5982-1
- 3. CLOSED CAVITY PATTERN; SEE SHEET 2 OF 2

ITEM NO.	QTY	MATERIAL	NAME	COLOR (色)	ITEM NO.
1	1	SILICON RUBBER	SEAL RING	BROWN (茶色)	5
1	1	PBT	DBL LOCK PL	NATURAL (白色)	4
1	1	PBT	PLUG HSG	BLACK (黒色)	3
1	1	PBT	PLUG HSG	BLACK (黒色)	2
-	1	PBT	SLIDE	ORANGE (オレンジ)	1
1	1	PBT	SLIDE	GRAY (灰色)	1

1473234-1		175091-1	114-5126
060 CAVITY PLUG		175090-1	114-5126
APPLICABLE TERMINAL PN		900293-1	114-5216
APPLICATION SPEC			

THIS DRAWING IS A CONTROLLED DOCUMENT.		DRW NO. 040CT98	TYCO Tyco Electronics AMP K.K.
DIMENSIONS: MM		CHK BY K. AOYAMA	Electronics Kawasaki, Japan
TOLERANCES UNLESS OTHERWISE SPECIFIED:		APP'D BY K. ODA	
0 PLC ± 0.3	1 PLC ± 0.3	DATE 070CT98	
2 PLC ± 0.3	3 PLC ± 0.3	NAME	
4 PLC ± 0.3	5 PL ± 0.3	PRODUCT SPEC	108-5523
ANGLE ± 0.3		APPLICATION SPEC	SEE TABLE
		SIZE	A2
		WEIGHT	43 g
		CUSTOMER DRAWING	C-316874
		SCALE	2:1
		SHEET	1 OF 2
		REV	C.3

AMP 1471-9 REV 31MAR2000

316874

A

