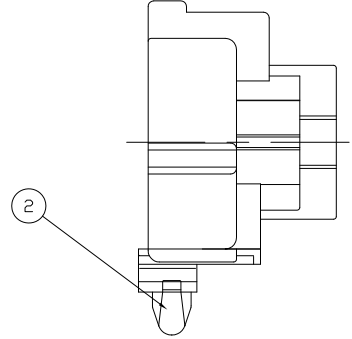
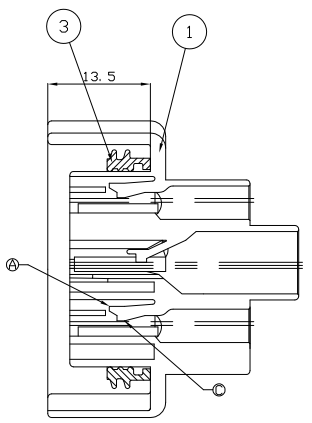
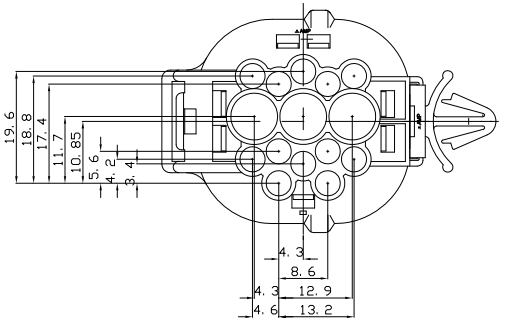
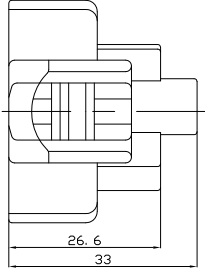
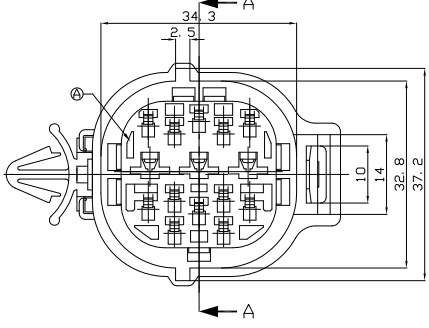


THIS DRAWING IS UNPUBLISHED. RELEASED FOR PUBLICATION  
 © COPYRIGHT BY TYCO ELECTRONICS CORPORATION, ALL RIGHTS RESERVED.

| LOC | DIST | REVISIONS               |              |     |      |
|-----|------|-------------------------|--------------|-----|------|
| P   | LTR  | DESCRIPTION             | DATE         | DWN | APVD |
| D   |      | REVISED (ECR-11-008500) | 21. MAY. '11 | SJ  | HG   |



- NOTES
- FOR CAP HOUSING (P/N: 85264)
  - THIS PART MUST BE USED WITH DOUBLE LOCK PLATE (P/N: 85223)
  - APPLY P/N 85263-1 (EJ MKII + 15P PLUG HSG) AND 172745-1 (SEAL RING FOR EJ MKII + 15P PLUG HSG) TO ASSEMBLY P/N 2-85262-1.

| CUSTOMER PART NUMBER (H 700) | REMARK | NO   | COLOR | MATERIAL                               | DESCRIPTION | PART. NO | REV | Q' TY | A | C | C | C | C | REV |
|------------------------------|--------|------|-------|--|-------------|----------|-----|-------|---|---|---|---|---|-----|
| 5                            | BLACK  | NBR  |       | SEAL RING FOR EJ MKII(+15Pos) PLUG HSG | 172745-1    | A        | 1   | 1     | 1 | 1 | 1 | 1 | 1 | 1   |
| 4                            | BLACK  | PA66 |       | CLIP HSG FOR EJ MKII(+15Pos) PLUG HSG  | 368121-1    | D        |     | 1     | 1 |   |   |   |   |     |
| 3                            | BLACK  | PA66 |       | CLIP HSG FOR EJ MKII(+15Pos) PLUG HSG  | 85229-1     | D        |     |       |   |   |   | 1 | 1 |     |
| 2                            | GRAY   | PBT  |       | EJ MKII(+15Pos) PLUG HSG               | 85263-5     | C        | 1   |       | 1 |   |   |   |   |     |
| 1                            | BLACK  | PBT  |       | EJ MKII(+15Pos) PLUG HSG               | 85263-1     | C        |     | 1     | 1 | 1 | 1 |   |   |     |

|                    |  |  |  |   |  |   |  |
|--------------------|--|--|--|---|--|---|--|
| DIMENSIONS: MM<br> |  | TOLERANCES UNLESS OTHERWISE SPECIFIED:<br>0 <XXX<10 ± 0.2<br>10<XXX<30 ± 0.25<br>30<XXX ± 0.3<br>ANGLES ± 3° |  | DWN SJ CHOI<br>CHK JW JUNG<br>APVD HG CHO |  | TE Connectivity<br>NAME<br>070/250 15P PLUG ASS'Y<br>ECONDSEAL J-MARKII CONN. |  |
| MATERIAL SEE TABLE |  | FINISH   |  | APPLICATION SPEC -                        |  | SIZE CAGE CODE DRAWING NO   |  |
|                    |  |  |  | WEIGHT -                                  |  | A3 00779G- 85262  |  |
|                    |  |  |  | CUSTOMER DRAWING                          |  | RESTRICTED TO   |  |
|                    |  |  |  | SCALE 1.5/1                               |  | SHEET 1 OF 1 REV D  |  |