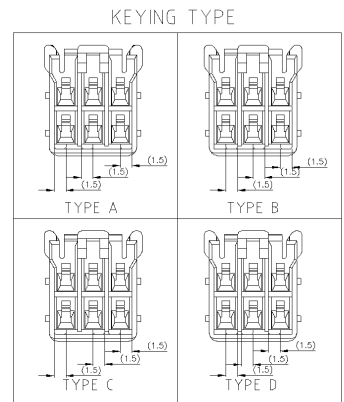
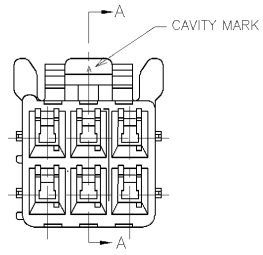
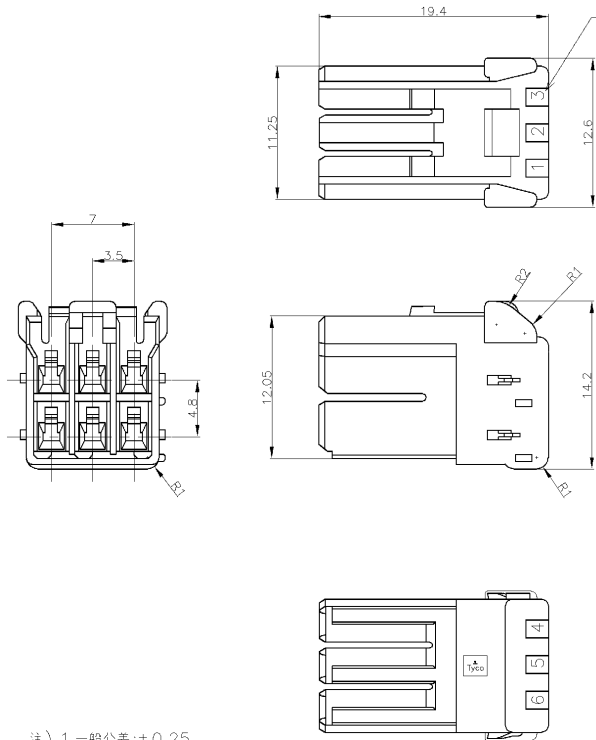


THIS DRAWING IS UNPUBLISHED. RELEASED FOR PUBLICATION
 © COPYRIGHT BY TYCO ELECTRONICS CORPORATION. ALL RIGHTS RESERVED.

LOC	DIST	REVISIONS					
J	-	P	LTR	DESCRIPTION	DATE	DWN	APVD
		O		RELEASED FJ00-2828-01	30 MAY. '02	A.O	M.S



3-1565088-4	D	YELLOW	3-1565084-4
2-1565088-3	C	BLUE	2-1565084-3
1-1565088-2	B	RED	1-1565084-2
1565088-1	A	NATURAL	1565084-1
MATING HSG P/N	KEYING TYPE	COLOR	P/N

注) 1. 一般公差: ±0.25
 △材料: 66ナイロン ガラス無(UL94V-0)
 △かん合相手製品型番
 キャップハウジング: TABLE参照のこと
 リセコンタクト: 1565079-1, 1612334-1
 4. 適応プレート型番: 1565090-1

NOTES)
 1. GENERAL TOLERANCE: ±0.25
 △MATERIAL: 66 NYLON NON-GLASS FILLED (UL94V-0)
 △MATING CONN. P/N
 CAP HOUSING: SEE TABLE
 REC CONTACT ; 1565079-1, 1612334-1
 4. APPLICABLE PLATE P/N : 1565089-1

THIS DRAWING IS A CONTROLLED DOCUMENT.		DWN A.OISHI 30 MAY. '02	Tyco Electronics AMP K.K. Kawasaki, Japan																						
DIMENSIONS: 単位: 種 mm	<table border="1"> <tr> <th colspan="2">TOLERANCES UNLESS OTHERWISE SPECIFIED</th> </tr> <tr> <td>0 PLC</td> <td>±</td> </tr> <tr> <td>1 PLC</td> <td>±</td> </tr> <tr> <td>2 PLC</td> <td>±</td> </tr> <tr> <td>3 PLC</td> <td>±</td> </tr> <tr> <td>4 PLC</td> <td>±</td> </tr> <tr> <td>ANGLES</td> <td>±</td> </tr> </table>	TOLERANCES UNLESS OTHERWISE SPECIFIED		0 PLC	±	1 PLC	±	2 PLC	±	3 PLC	±	4 PLC	±	ANGLES	±	CHK M.SHINDO 30 MAY. '02	<table border="1"> <tr> <td>APVD M.SHINDO 30 MAY. '02</td> <td>NAME 名称 GRACE INERTIA CONNECTOR 3.5 6POS PLUG HOUSING</td> </tr> <tr> <td>PRODUCT SPEC 製品規格 103-5810</td> <td>SIZE CAGE CODE DRAWING NO 番号 A3 00779 C-1565084</td> </tr> <tr> <td>APPLICATION SPEC 取付適用規格 114-5306</td> <td>RESTRICTED TO</td> </tr> <tr> <td>WEIGHT</td> <td>SCALE 尺度</td> </tr> </table>	APVD M.SHINDO 30 MAY. '02	NAME 名称 GRACE INERTIA CONNECTOR 3.5 6POS PLUG HOUSING	PRODUCT SPEC 製品規格 103-5810	SIZE CAGE CODE DRAWING NO 番号 A3 00779 C-1565084	APPLICATION SPEC 取付適用規格 114-5306	RESTRICTED TO	WEIGHT	SCALE 尺度
TOLERANCES UNLESS OTHERWISE SPECIFIED																									
0 PLC	±																								
1 PLC	±																								
2 PLC	±																								
3 PLC	±																								
4 PLC	±																								
ANGLES	±																								
APVD M.SHINDO 30 MAY. '02	NAME 名称 GRACE INERTIA CONNECTOR 3.5 6POS PLUG HOUSING																								
PRODUCT SPEC 製品規格 103-5810	SIZE CAGE CODE DRAWING NO 番号 A3 00779 C-1565084																								
APPLICATION SPEC 取付適用規格 114-5306	RESTRICTED TO																								
WEIGHT	SCALE 尺度																								
MATERIAL 材料 SEE NOTE △	FINISH 仕上	CUSTOMER DRAWING																							

AMP 1470-19 REV 31MAR2000

17MAY01 11:01am FJ033747

L:\EN32_Industrial\3rd-group\oishi\autocad\3.5w-w\顧客提出用\latest\plug\C1565084-6P.o.dwg