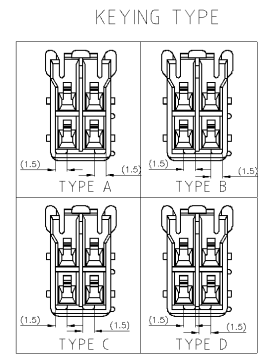
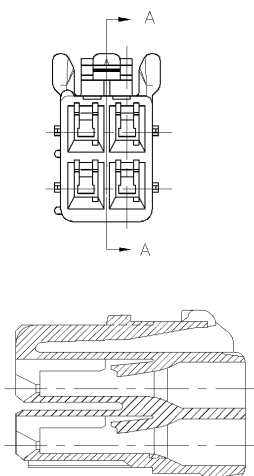
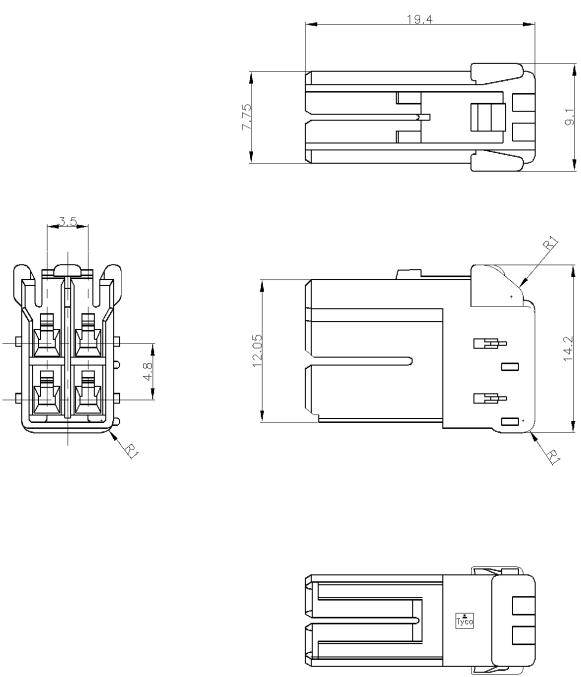


THIS DRAWING IS UNPUBLISHED. RELEASED FOR PUBLICATION
 © COPYRIGHT BY TYCO ELECTRONICS CORPORATION. ALL RIGHTS RESERVED.

LOC	DIST	REVISIONS					
J	-	P	LTR	DESCRIPTION	DATE	DWN	APVD
		O		RELEASED FJ00-2828-01	30 MAY. '02	A.O	M.S



3-1565087-4	D	YELLOW	3-1565083-4
2-1565087-3	C	BLUE	2-1565083-3
1-1565087-2	B	RED	1-1565083-2
1565087-1	A	NATURAL	1565083-1
MATING HSG P/N	KEYING TYPE	COLOR	P/N

- 注) 1.一般公差:±0.25
 △材料:66ナイロン ガラス無(UL94V-0)
 △かん合相手製品型番
 キャップハウジング: TABLE参照のこと
 リセコンタクト: 1565079-1,1612334-1
 4. 適応プレート型番: 1565089-1

- NOTES)
 1.GENERAL TOLERANCE:±0.25
 △MATERIAL:66 NYLON NON-GLASS FILLED (UL94V-0)
 △MATING CONN. P/N
 CAP HOUSING:SEE TABLE
 REC CONTACT ;1565079-1,1612334-1
 4. APPLICABLE PLATE P/N :1565089-1

THIS DRAWING IS A CONTROLLED DOCUMENT.

DWN	A.OISHI	30 MAY. '02	 Tyco Electronics AMP K.K. Kawasaki, Japan
CHK	M.SHINDO	30 MAY. '02	
APVD	M.SHINDO	30 MAY. '02	
PRODUCT SPEC	108-5810	製造規格	GRACE INERTIA CONNECTOR 3.5 4POS PLUG HOUSING グレイス・イナーシャ・コネクタ 3.5 4極 プラグハウジング
APPLICATION SPEC	114-5306	取付適用規格	
WEIGHT	-		SIZE CAGE CODE DRAWING NO RESTRICTED TO A3 00779 C=1565083
MATERIAL	SEE NOTE△	FINISH	仕上
CUSTOMER DRAWING		SCALE	尺度
		SHEET	1 OF 1
		REV	0