

4

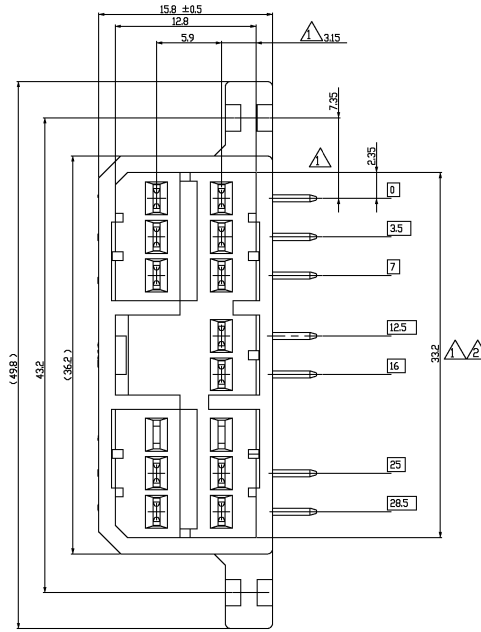
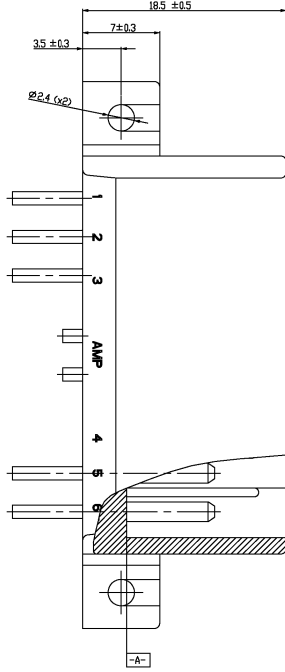
3

2

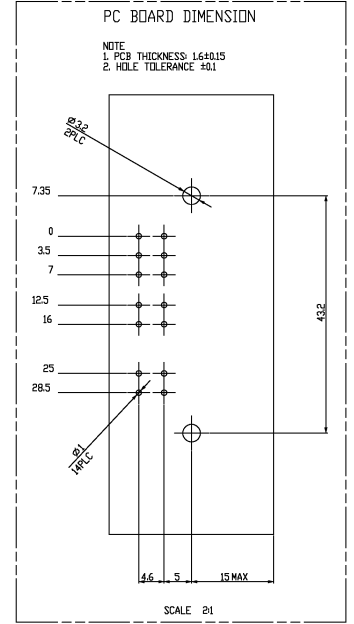
1

THIS DRAWING IS UNPUBLISHED. RELEASES FOR PUBLICATION BY TYCO ELECTRONICS CORPORATION. ALL RIGHTS RESERVED. COPYRIGHT © BY TYCO ELECTRONICS CORPORATION. ALL RIGHTS RESERVED.

LOC	REV	DATE	DESCRIPTION	BY	CHK	APPV
DS	-					
	A	24 JUL 07	RELEASED	IS	JK	



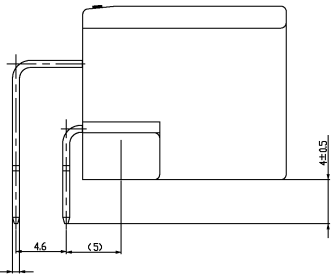
SCALE 4:1



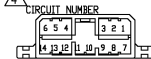
PC BOARD DIMENSION

NOTE
 1. PCB THICKNESS: 1.6 ± 0.15
 2. HOLE TOLERANCE: ±0.1

SCALE 2:1



- NOTES
- 1. TO BE MEASURED BETWEEN 1 AND 2
 - 2. TO BE MATE WITH PLUG HSG SMOOTHLY
 - 3. TO BE USE M3 TAPPING SCREW JIS B1115 OR 1122 (TYPE2 OR 4) BEFORE SOLDER



NO	COLOR/FINISH	MATERIAL	DESCRIPTION	P/N	Q'TY
3	PRE-TIN	BRASS	.070 TAB	173605-2	5
2	PRE-TIN	BRASS	.070 TAB	173605-1	7
1	NATURAL(WHITE)	PBT	14PIN CAP HOUSING	173859-1	1

DIMENSIONS: P1M		TYCO ELECTRONICS CORPORATION		AMP KOREA	
3RD ANGLE PROJECTION		DWN IS SHIN		AMP KOREA, Kyungsan, Korea	
MATERIAL		CHK YN CHOI		AMPVJ K SONG	
FINISH		PRODUCT SPEC		NAME	
ANGLE: 90°		APPLICATION SPEC		14P CAP HSG ASS'Y	
WEIGHT		SIZE		.070 SERIES MULTILOCK I/O CONN.	
CUSTOMER DRAWING		A2 00779		C=1897396	
SCALE: 1:1		SHEET 1 OF 1		REV A	

REV	ASSY P/N
A	0-1897396-1