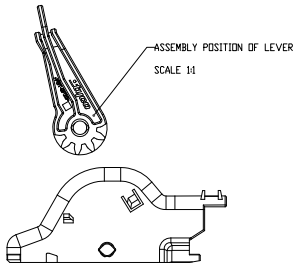
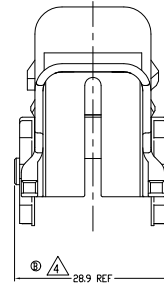
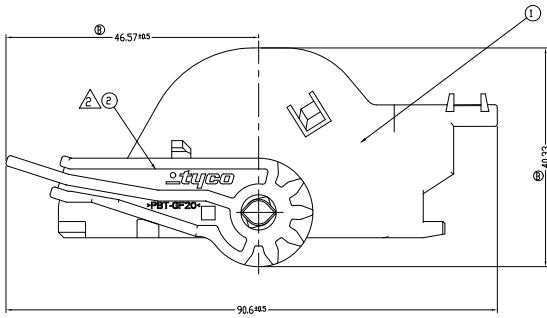


3D VIEW
 SCALE 1:1



NOTES

- 1. GENERAL TOLERANCE : ±0.3, ±3°
- 2. SUPPLY CONDITION : LEVER IN PRE-LOCKED POSITION
- 3. USEABLE MATING PART : 1897344
- 4. WARPAGE PERMIT TO 27.3mm

①	GRAY	PBT-GF20	LEVER HSG	0-1897354-3	B	1
②	BLACK	PBT-GF20	COVER HSG	0-1897353-2	B	1
ND	COLOR/FINISH	MATERIAL	DESCRIPTION	P/N	REV	

REV	DATE	BY	CHK	APP	DESCRIPTION
B	27.MAR.'09	KT	HG		REVISED (ECR-09-004265)
A	16.OCT.'08	YC	HG		RELEASED

control priority dimension:
 CRITICAL MAJOR MINOR

tolerances unless otherwise specified:
 0 P.C. #
 1 P.L.C. #
 2 P.L.C. #
 3 P.L.C. #
 4 S.C. #
 5 S.C. #
 6 S.C. #

NAME: MQS CB/MCP 2.8 HYB SLD 26P COVER ASS'Y
 SCALE: 2/1 SIZE: A2 DRAWING NO: 1897352 SHEET: 1 OF 1 REV: B

AMP KOREA, Kyungson, Korea

THIS DRAWING IS A CONTROLLED DOCUMENT. ANY REVISIONS TO THIS DRAWING MUST BE APPROVED BY THE ORIGINAL DESIGNER AND APPROVED BY THE ORIGINAL DESIGNER AND APPROVED BY THE ORIGINAL DESIGNER AND APPROVED BY THE ORIGINAL DESIGNER. IT MAY NOT BE REPRODUCED, COPIED, OR TRANSMITTED IN ANY FORM OR BY ANY MEANS, ELECTRONIC OR MECHANICAL, INCLUDING PHOTOCOPYING, RECORDING, OR BY ANY INFORMATION STORAGE AND RETRIEVAL SYSTEM, WITHOUT THE WRITTEN PERMISSION OF AMP ELECTRONICS CORPORATION, HARRISBURG, PENNSYLVANIA, USA.

LDC
 DS
 DIST
 -

AMP 3307-7 REV 210402000

8 | 7 | 6 | 5 | 4 | 3 | 2 | 1

0-1897352-2	ASSY P/N	B	REV
-------------	----------	---	-----