

NUMBER 179839
METRIC
30° CHS ANGLE PROJECTION

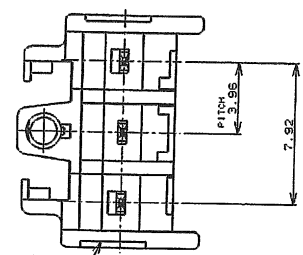
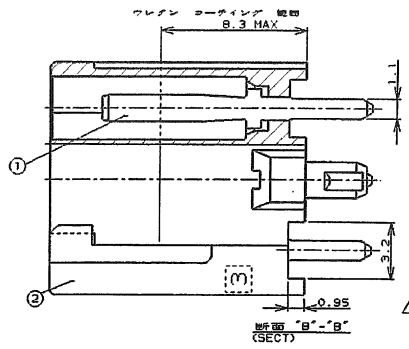
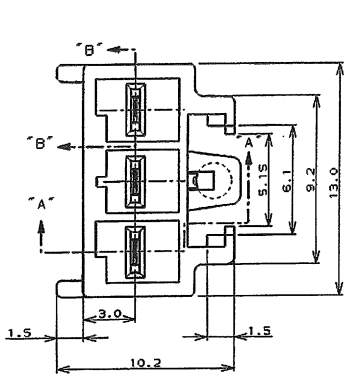
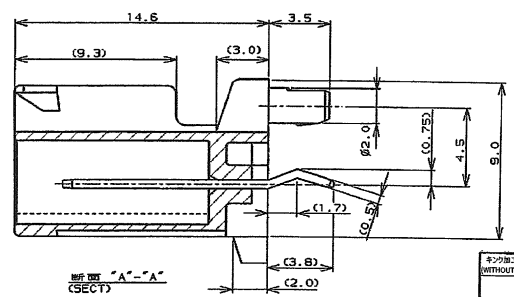


表 1 (TABLE 1)

NO.	名称 (NAME)	材料 (MATERIAL)
①	タブ (TAB)	銅合金：鍍めつき (COPPER ALLOY TIN PLATED)
②	ヘッドハウジング (HEADER HOUSING)	6/6ナイロングラス強化(6/6-G) (6/6 NYLON GLASS FILLED)



- 注：
 ① 取付基板寸法
 ② 適用基板厚：1.6t
 ③ 嵌合型手組製品型式
 プラグハウジング：177899-1
 リセコネクタ：177914-1, 177915-1
 ④ 製品規格：108-5410
 表 2 参照
- NOTES:
 ① RECOMMENDED P.C.B LAYOUT, SEE FIG.1
 ② APPLICABLE P.C.B THICKNESS: 1.6
 ③ MATING CONN. P/N
 PLUG HOUSING: 177899-1
 REC CONTACT: 177914-1, 177915-1
 ④ PRODUCT SPEC: 108-5410
 SEE TABLE 2

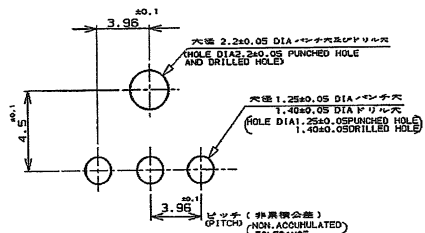


表 2 (TABLE 2)

加工状態 (PROCESSING STATE)	色 (COLOR)	型番 (P/N)
無加工 (WITHOUT FINISH)	自然色 (NATURAL)	9-179839-1
加工 (WITH FINISH)	黒 (BLACK)	179839-9
	青 (BLUE)	179839-6
	黄 (YELLOW)	179839-4
	赤 (RED)	179839-2
無加工 (WITHOUT FINISH)	自然色 (NATURAL)	179839-1
加工 (WITH FINISH)	色 (COLOR)	型番 (P/N)

PRINT DIST
 ALL DIMENSIONS IN INCH DO NOT SCALE PRINT

<table border="1"> <tr> <td>加工状態 (WITHOUT FINISH)</td> <td>色 (COLOR)</td> <td>型番 (P/N)</td> </tr> <tr> <td>加工 (WITH FINISH)</td> <td>色 (COLOR)</td> <td>型番 (P/N)</td> </tr> </table>		加工状態 (WITHOUT FINISH)	色 (COLOR)	型番 (P/N)	加工 (WITH FINISH)	色 (COLOR)	型番 (P/N)	<table border="1"> <tr> <td>加工状態 (WITHOUT FINISH)</td> <td>色 (COLOR)</td> <td>型番 (P/N)</td> </tr> <tr> <td>加工 (WITH FINISH)</td> <td>色 (COLOR)</td> <td>型番 (P/N)</td> </tr> </table>	加工状態 (WITHOUT FINISH)	色 (COLOR)	型番 (P/N)	加工 (WITH FINISH)	色 (COLOR)	型番 (P/N)																																																						
加工状態 (WITHOUT FINISH)	色 (COLOR)	型番 (P/N)																																																																		
加工 (WITH FINISH)	色 (COLOR)	型番 (P/N)																																																																		
加工状態 (WITHOUT FINISH)	色 (COLOR)	型番 (P/N)																																																																		
加工 (WITH FINISH)	色 (COLOR)	型番 (P/N)																																																																		
<table border="1"> <tr> <td>CI</td> <td>REVISED</td> <td>EOR-05-09096</td> <td>J.S.</td> <td>N.Y.</td> <td>RYUN</td> <td>DR.</td> <td>22/AUG/94</td> <td>DE.</td> <td>N. YAMASAKI</td> <td>7. SEP. '94</td> </tr> <tr> <td>C</td> <td>REVISED</td> <td>FJ00-1559-02</td> <td>Y.S.</td> <td>M.S.</td> <td>BAIJO</td> <td>DR.</td> <td>8. SEP. '94</td> <td>DE.</td> <td>N. YAMASAKI</td> <td>8. SEP. '94</td> </tr> <tr> <td>B</td> <td>REVISED</td> <td>FJ00-1110-99</td> <td>T.Y.</td> <td>M.S.</td> <td>RYUN</td> <td>DR.</td> <td>10. SEP. '94</td> <td>DE.</td> <td>N. YAMASAKI</td> <td>10. SEP. '94</td> </tr> <tr> <td>A</td> <td>REVISED</td> <td>FJ00-0953-99</td> <td>T.Y.</td> <td>M.S.</td> <td>RYUN</td> <td>DR.</td> <td>10. SEP. '94</td> <td>DE.</td> <td>N. YAMASAKI</td> <td>10. SEP. '94</td> </tr> <tr> <td>D</td> <td>RELEASED</td> <td>FJ00-1170-94</td> <td>N.Y.</td> <td>K.</td> <td>RYUN</td> <td>DR.</td> <td>8. SEP. '94</td> <td>DE.</td> <td>N. YAMASAKI</td> <td>8. SEP. '94</td> </tr> <tr> <td>LTR</td> <td>変更 (REVISION RECORD)</td> <td></td> <td>DR</td> <td>CHK</td> <td>DATE</td> <td>CHK.</td> <td>Y. KASHIWA</td> <td>APP.</td> <td>Y. KASHIWA</td> <td></td> </tr> </table>			CI	REVISED	EOR-05-09096	J.S.	N.Y.	RYUN	DR.	22/AUG/94	DE.	N. YAMASAKI	7. SEP. '94	C	REVISED	FJ00-1559-02	Y.S.	M.S.	BAIJO	DR.	8. SEP. '94	DE.	N. YAMASAKI	8. SEP. '94	B	REVISED	FJ00-1110-99	T.Y.	M.S.	RYUN	DR.	10. SEP. '94	DE.	N. YAMASAKI	10. SEP. '94	A	REVISED	FJ00-0953-99	T.Y.	M.S.	RYUN	DR.	10. SEP. '94	DE.	N. YAMASAKI	10. SEP. '94	D	RELEASED	FJ00-1170-94	N.Y.	K.	RYUN	DR.	8. SEP. '94	DE.	N. YAMASAKI	8. SEP. '94	LTR	変更 (REVISION RECORD)		DR	CHK	DATE	CHK.	Y. KASHIWA	APP.	Y. KASHIWA	
CI	REVISED	EOR-05-09096	J.S.	N.Y.	RYUN	DR.	22/AUG/94	DE.	N. YAMASAKI	7. SEP. '94																																																										
C	REVISED	FJ00-1559-02	Y.S.	M.S.	BAIJO	DR.	8. SEP. '94	DE.	N. YAMASAKI	8. SEP. '94																																																										
B	REVISED	FJ00-1110-99	T.Y.	M.S.	RYUN	DR.	10. SEP. '94	DE.	N. YAMASAKI	10. SEP. '94																																																										
A	REVISED	FJ00-0953-99	T.Y.	M.S.	RYUN	DR.	10. SEP. '94	DE.	N. YAMASAKI	10. SEP. '94																																																										
D	RELEASED	FJ00-1170-94	N.Y.	K.	RYUN	DR.	8. SEP. '94	DE.	N. YAMASAKI	8. SEP. '94																																																										
LTR	変更 (REVISION RECORD)		DR	CHK	DATE	CHK.	Y. KASHIWA	APP.	Y. KASHIWA																																																											
<table border="1"> <tr> <td>品名 (NAME)</td> <td>3.96mm ピッチ 3線プラグアッセンブリ (プラグ)</td> </tr> <tr> <td>AMP POWER DBL LOCK CONN 3.96mm PITCH 3P HEADER ASS'Y V TYPE</td> <td></td> </tr> <tr> <td>一般公差 (GENERAL TOLERANCE)</td> <td>100μm ±0.2</td> </tr> <tr> <td></td> <td>100mm 300μm ±0.25</td> </tr> <tr> <td></td> <td>200mm 300μm ±0.3</td> </tr> <tr> <td></td> <td>250mm 300μm ±0.3</td> </tr> </table>			品名 (NAME)	3.96mm ピッチ 3線プラグアッセンブリ (プラグ)	AMP POWER DBL LOCK CONN 3.96mm PITCH 3P HEADER ASS'Y V TYPE		一般公差 (GENERAL TOLERANCE)	100μm ±0.2		100mm 300μm ±0.25		200mm 300μm ±0.3		250mm 300μm ±0.3																																																						
品名 (NAME)	3.96mm ピッチ 3線プラグアッセンブリ (プラグ)																																																																			
AMP POWER DBL LOCK CONN 3.96mm PITCH 3P HEADER ASS'Y V TYPE																																																																				
一般公差 (GENERAL TOLERANCE)	100μm ±0.2																																																																			
	100mm 300μm ±0.25																																																																			
	200mm 300μm ±0.3																																																																			
	250mm 300μm ±0.3																																																																			
<table border="1"> <tr> <td>社名 (COMPANY)</td> <td>Tyco Electronics AMP K.K.</td> </tr> <tr> <td>所在地 (ADDRESS)</td> <td>Kawasaki, Japan</td> </tr> <tr> <td>サイズ (SIZE)</td> <td>A3 J</td> </tr> <tr> <td>図番 (DRAWING NO.)</td> <td>179839</td> </tr> <tr> <td>図尺 (SCALE)</td> <td>1/1</td> </tr> <tr> <td>REV.</td> <td>CI</td> </tr> <tr> <td>SHEET</td> <td>1 OF 1</td> </tr> </table>			社名 (COMPANY)	Tyco Electronics AMP K.K.	所在地 (ADDRESS)	Kawasaki, Japan	サイズ (SIZE)	A3 J	図番 (DRAWING NO.)	179839	図尺 (SCALE)	1/1	REV.	CI	SHEET	1 OF 1																																																				
社名 (COMPANY)	Tyco Electronics AMP K.K.																																																																			
所在地 (ADDRESS)	Kawasaki, Japan																																																																			
サイズ (SIZE)	A3 J																																																																			
図番 (DRAWING NO.)	179839																																																																			
図尺 (SCALE)	1/1																																																																			
REV.	CI																																																																			
SHEET	1 OF 1																																																																			

(CUSTOMER DRAWING) 参考図面