

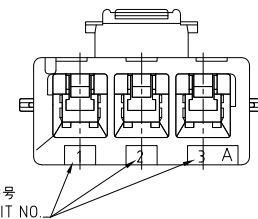
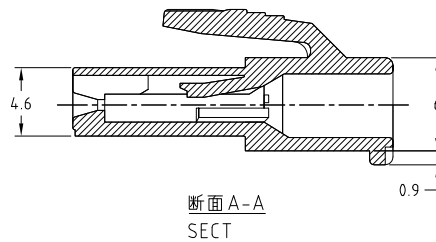
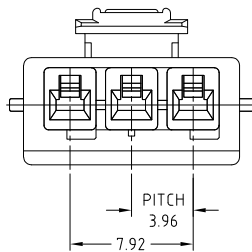
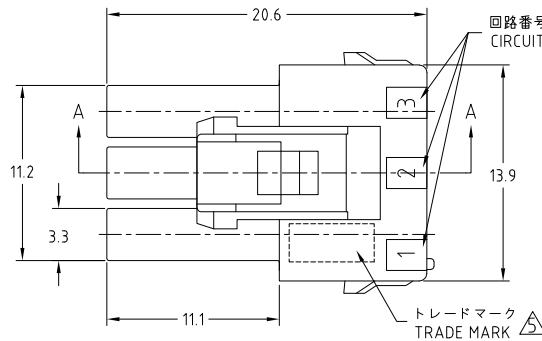
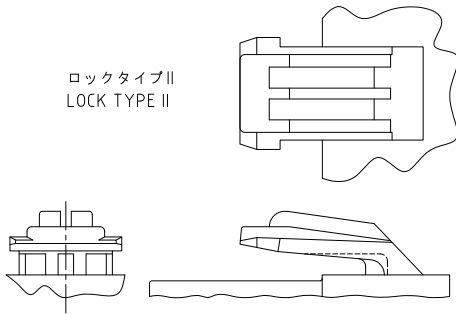
4

3

2

1

THIS DRAWING IS UNPUBLISHED.		RELEASED FOR PUBLICATION		LOC	DIST	REVISIONS			
COPYRIGHT - By -		ALL RIGHTS RESERVED.		J	-	変更			
P	LTR	DESCRIPTION			DATE	DWN	APVD		
E1		REVISED PER ECO-11-005140			25MAR11	RK	HMR		



## NOTES

- APPLICABLE CONTACT P/N  
REC CONTACT : 177915-X (AWG#20-#16)  
177914-X (AWG#26-#22)
  - MATIN CONN. P/N  
CAP HSG : 177907-X (PANEL MOUNT)  
179464-X (FREE HANGING)  
TAB CONTACT : 177917-X (AWG#20-#16)  
177916-X (AWG#26-#22)
  - APPLICABLE PLATE P/N : 177919-X
  - INSTRUCTION SHEET : 411-5638
- △SEE TABLE 1

表1 TABLE 1

トレードマーク TRADE MARK	生産場所 MANUFACTURING LOCATION
-AMP OR AMP	日本 JAPAN
--AMP OR AMP	中国 CHINA (PRC)
*AMP OR AMP	韓国 KOREA

THIS DRAWING IS A CONTROLLED DOCUMENT.

DIMENSIONS: 単位: ㎜	TOLERANCES UNLESS OTHERWISE SPECIFIED: 公差
10 ≤	±0.2
10 < 30	±0.25
30 < 2100	±0.3
ANGLES	±3°
MATERIAL	FINISH 仕上

DWN	J.SATO	25OCT2007
CHK	S.MANABE	25OCT2007
APVD	S.MANABE	25OCT2007
PRODUCT SPEC	製品規格	108-5410
APPLICATION SPEC	取付適用規格	
WEIGHT		
CUSTOMER DRAWING		

LOCK TYPE II		自然色 (NATURAL)	↑	3-177899-1
LOCK TYPE I		黒 (BLACK)		177899-9
		青 (BLUE)		177899-6
		黄 (YELLOW)		177899-4
		赤 (RED)		177899-2
		自然色 (NATURAL)	3	177899-1
ロックタイプ LOCK TYPE	ハウジング色調 HOUSING COLOR	極数 POS		型番 PART NUMBER
TE Connectivity AMP POWER DOUBLE LOCK CONN 3.96MM PITCH PLUG HOUSING 3POS (SGL ROW)				
SIZE	CAGE CODE	DRAWING NO	RESTRICTED TO	
A3	00779	177899	—	
SCALE			SHEET	REV
4:1			1 of 1	E1