

4

3

2

1

THIS DRAWING IS UNPUBLISHED.

RELEASED FOR PUBLICATION

ALL RIGHTS RESERVED.

COPYRIGHT - By -

TOLERANCE UNLESS

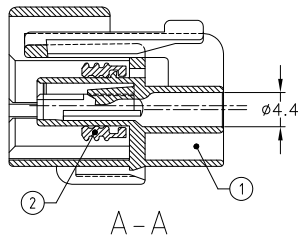
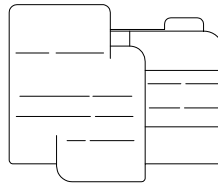
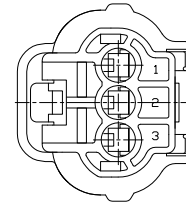
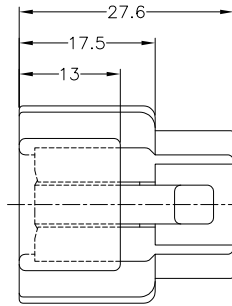
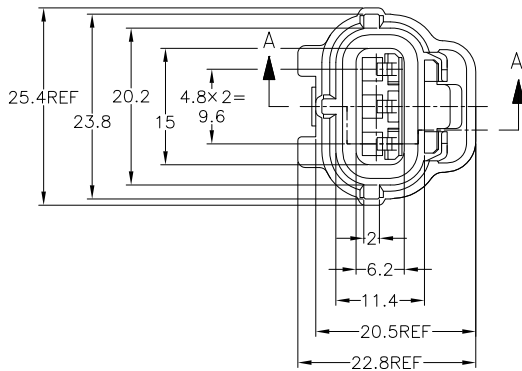
OTHERWISE SPECIFIED:

一般公差
 0 < x ≤ 10 : ±0.2
 10 < x ≤ 30 : ±0.25
 30 < x ≤ 100 : ±0.3
 ANGLE : ±3°
 角度

 LOC J
 DIST -

REVISIONS

P	LTR	DESCRIPTION	DATE	DWN	APVD
C3		REVISED PER ECO-11-005140	28MAR11	RK	HMR



1. 嵌合相手型番 : 174359, 173065
2. 本品はプラグハウジング単体にシールリングがアッセンブリされたものである。
3. 本品はダブルロックプレート型番 174358を装着して使用する。

1. FOR CAP HOUSING PN 174359, 173065
2. THIS PART IS COMPOSED OF PLUG HOUSING AND SEAL RING
3. THIS PART MUST BE USED WITH DOUBLE LOCK PLATE PN 174358

SILICON / GREEN	PBT / BLACK	2-174357-2
SILICON / BROWN	PBT / BLACK	1-174357-2
NBR / BLACK	PBT / GRAY	174357-6
NBR / BLACK	PBT / BLACK	174357-2
② SEAL RING	① PLUG HOUSING	PART NUMBER
MATERIAL / COLOR		

THIS DRAWING IS A CONTROLLED DOCUMENT.

DWN T.SHINOHARA 09FEB04

CHK K.BETSUI 09FEB04

APVD K.BETSUI 09FEB04

DIMENSIONS:

単位: 寸

mm

TOLERANCES UNLESS

OTHERWISE SPECIFIED:

一般公差



0 PLC ± -
 1 PLC ± -
 2 PLC ± -
 3 PLC ± -
 4 PLC ± -
 ANGLES ± -

MATERIAL

材料

SEE TABLE

FINISH

仕上

NAME

名称

PRODUCT SPEC

製品規格

APPLICATION SPEC

取付適用規格

WEIGHT

6.15g

SIZE

A3

CAGE CODE

00779

DRAWING NO

174357

RESTRICTED TO

-

CUSTOMER DRAWING

SCALE

尺度 2:1

SHEET

1 of 2

REV

C3

4

3

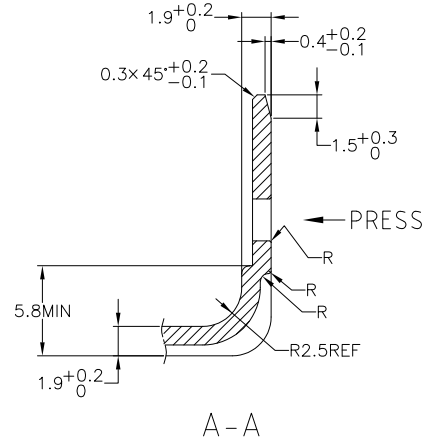
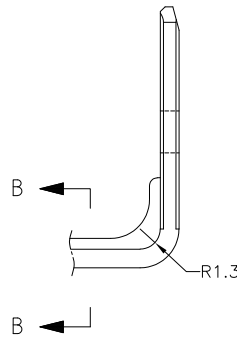
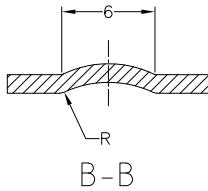
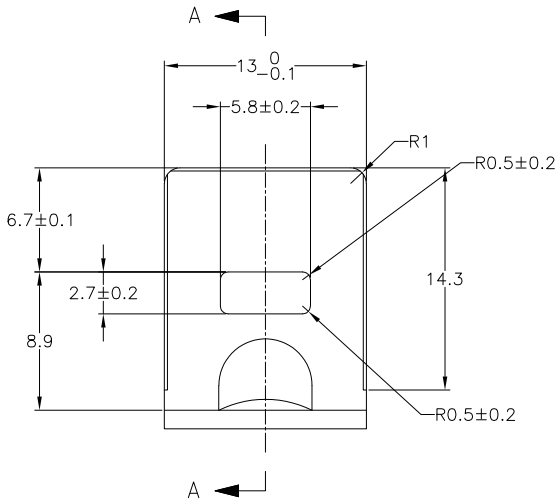
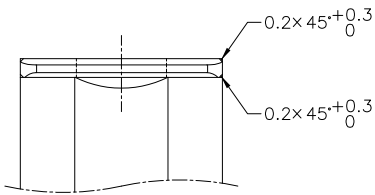
2

1

THIS DRAWING IS UNPUBLISHED. RELEASED FOR PUBLICATION
 © COPYRIGHT - By - ALL RIGHTS RESERVED.

LOC		DIST		REVISIONS			
J		-		変更			
P	LTR	DESCRIPTION		DATE	DWN	APVD	
-	-	SEE SHEET 1		-	-	-	

ブラケット推奨寸法図
 RECOMMENDED DIMENSION OF BRACKET



TOLERANCE UNLESS OTHERWISE SPECIFIED:
 一般公差

0 < x ≤ 10	: ±0.2
10 < x ≤ 30	: ±0.25
30 < x ≤ 100	: ±0.3
ANGLE 角度	: ±3°

THIS DRAWING IS A CONTROLLED DOCUMENT.

DIMENSIONS: 単位: 寸 mm	TOLERANCES UNLESS OTHERWISE SPECIFIED: 一般公差
0 PLC ± -	1 PLC ± -
1 PLC ± -	2 PLC ± -
2 PLC ± -	3 PLC ± -
3 PLC ± -	4 PLC ± -
4 PLC ± -	ANGLES ± -
MATERIAL 材料	FINISH 仕上

DWN T. SHINOHARA 09FEB04
CHK K. BETSUI 09FEB04
APVD K. BETSUI 09FEB04
NAME 名称
PRODUCT SPEC 製品規格
APPLICATION SPEC 取付適用規格
WEIGHT
CUSTOMER DRAWING

STE TE Connectivity	
3Pos. ECONOSEAL J-MARKII+ CONNECTOR PLUG HOUSING	
SIZE A3	CAGE CODE 00779
DRAWING NO 番号 174357	RESTRICTED TO -
SCALE 尺度 4:1	SHEET 2 of 2
REV C3	