

4

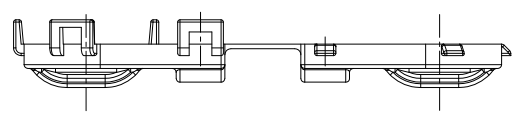
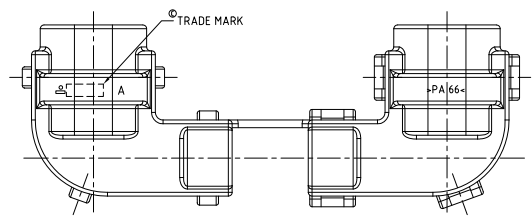
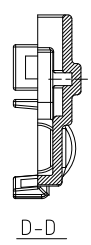
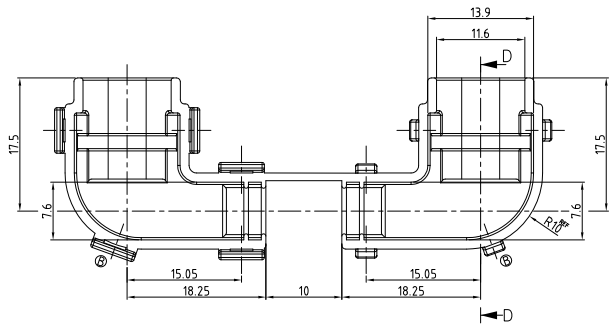
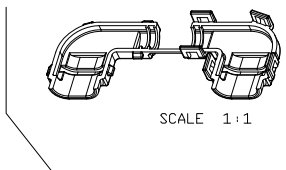
3

2

1

THIS DRAWING IS UNPUBLISHED. RELEASED FOR PUBLICATION
 © COPYRIGHT BY TYCO ELECTRONICS CORPORATION, ALL RIGHTS RESERVED.

LOC	DIST	REVISIONS			
P	LTR	DESCRIPTION	DATE	DWN	APVD
B		REVISED (ECR-05-017114)	05/DEC/75	YH	JK
C		REVISED (ECR-10-025377)	14/DEC/78	SJ	HG



- NOTE:
1. APPLICABLE CORRUGATOR DIAMETER : $\phi 5.0$
 2. APPLICABLE PLUG HSG P/N : 936059
 3. APPLICATION TEST SPEC:MS210-06-C (EXCEPT 4.4)

0-1743544-2	PA 66	BLACK
PART NUMBER	MATERIAL	COLOR

<small>THIS DRAWING IS A CONTROLLED DOCUMENT FOR TYCO ELECTRONICS CORPORATION IT IS SUBJECT TO CHANGE AND THE CONTROLLING ENGINEERING ORGANIZATION SHOULD BE CONTACTED FOR THE LATEST REVISION.</small>		DWN : SJ CHOI			
DIMENSIONS: mm		CHK : JW JUNG			
		APVD : HG CHOI		NAME	
TOLERANCES UNLESS OTHERWISE SPECIFIED: DECIMALS : ± 0.3 ANGLES : $\pm 3^\circ$		PRODUCT SPEC		COVER HSG FOR	
MATERIAL		APPLICATION SPEC		2.8 mm SEALED 2P PLUG CONN'R(FOR CM)	
FINISH		WEIGHT		SIZE	RESTRICTED TO
		CUSTOMER DRAWING		A3	
				CAGE CODE	DRAWING NO
				00779	1743544
				SCALE	SHEET
				2/1	1 OF 1
				REV	C