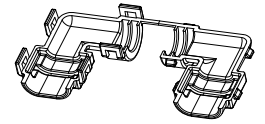
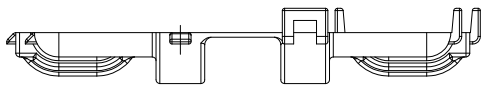
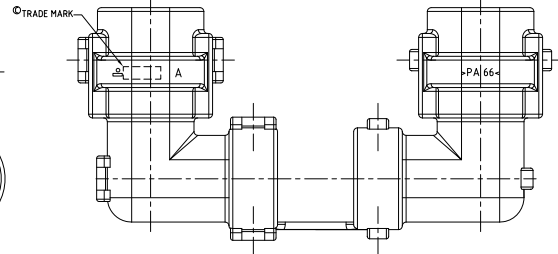
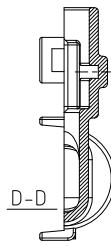
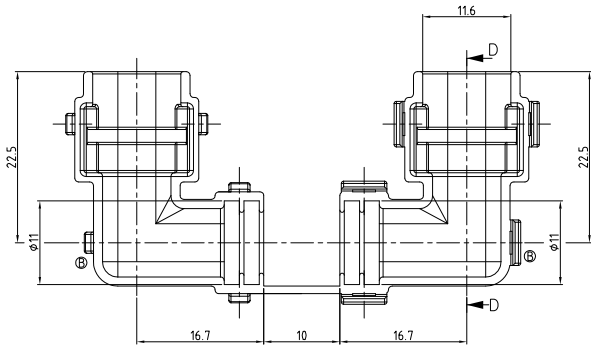


THIS DRAWING IS UNPUBLISHED. RELEASED FOR PUBLICATION
 © COPYRIGHT BY TYCO ELECTRONICS CORPORATION, ALL RIGHTS RESERVED.

LOC	DIST	REVISIONS					
DS	—	P	LTR	DESCRIPTION	DATE	DWN	APVD
		B		REVISED (ECR-06-002743)	03/FEB/06	YH	JK
		C		REVISED (ECR-10-025377)	19/OCT/06	SJ	HG



SCALE 1:1



- NOTE:
 1. APPLICABLE CORRUGATOR DIAMETER : $\phi 7.0$
 2. APPLICABLE PLUG HSG P/N : 936059
 3. APPLICATION TEST SPEC:MS210-06-C (EXCEPT 4.4)

0-1743451-2	PA 66	BLACK
PART NUMBER	MATERIAL	COLOR

<small>THIS DRAWING IS A CONTROLLED DOCUMENT FOR TYCO ELECTRONICS CORPORATION. IT IS SUBJECT TO CHANGE AND THE CONTROLLING ENGINEERING ORGANIZATION SHOULD BE CONTACTED FOR THE LATEST REVISION.</small>		DWN : SJ CHOI CHK : JW JUNG APVD : HG CHO PRODUCT SPEC APPLICATION SPEC WEIGHT CUSTOMER DRAWING			
DIMENSIONS: mm TOLERANCES UNLESS OTHERWISE SPECIFIED: DECIMALS : ± 0.3 ANGLES : $\pm 3^\circ$ 3rd ANGLE PROJECTION		NAME COVER HSG FOR 2.8 mm SEALED 2P PLUG CONN'R		RESTRICTED TO	
MATERIAL FINISH		SIZE: A3 CAGE CODE: 00779 DRAWING NO: 1743451		SCALE: 2/1 SHEET: 1 OF 1 REV: C	