

Multi-Interlock Mark II Connector for wire to board termination
マルチインターロックコネクタ マーク II (MIC)

Contents

First 16 pages following this top sheet : English version
Next 17 pages : Japanese version

When only one of above versions is supplied to customers, this top sheet shall be attached.

目次

このシートに続く最初の 16 ページ : 英語版
次の 17 ページ : 日本語版

カスタマーに英語または日本語版の片方のみを提出する場合は、このトップシートが必ず添付されなければならない。

Revision Record (改訂記録)

Revision Letter (改訂記号)	EC number (改訂記録番号)	Date (日付)
B1	FJ00-1742-99	19 OCT 1999

Outline of the latest revision (最新改訂の概要)

Combine two language versions into one document. No change was made on product specification.

2ヶ国語の文書を一括管理とした。仕様内容に変更なし。

108-5165
Product Specification
Multi-interlock Mark II Connector
For Wire-to-Board Termination

1. Scope:

This specification provides performance requirements and test methods for AMP Multi-interlock, Mark II Connector for wire-to-board termination, of the part numbers specified in Para. 2.

2. Applicable Part Numbers and Descriptions:

The products of the following part numbers shall be governed under this specification.

2.1 Receptacle Contact (hereafter called receptacle)

P/N 172773, 172774, 172775, 172776

2.2 Housings:

Parts No. of Pos.	Parts Name	Plug Housings	Cap Housings		Locking Plate for DBL Lock
			Vertical Type	Horizontal Type	
5		172494	172037	172040	174395
7		172495	172036	172039	174396
9		172496	172035	171894	174397
11		172497	172034	172038	174398
13		172498	171362	171882	174399
17		172500	171363	171366	174400
21		172501	171457	171367	174401
22		—/—	—/—	171896	—/—
15		172499	—/—	—/—	—/—
13		173127	171362	171882	171328
17		173125	171363	171366	171326

3. Definition of Terms:

For the purpose of this specification, the following terms shall apply.

3.1 Housing:

A housing is an electrically insulating, plastic component member that encapsulates contacts.

PRINT DIST	B1	Revised FJ00-1742-99	VE	KK	10/19/99				
	B	Revised RFA-1927			1/8/92	DR	<i>[Signature]</i>	AMP (Japan), Ltd. TOKYO, JAPAN	
	A2	REVISED RFA-1892			10/2/91		<i>[Signature]</i>		
	A1	Revised RFA-1481			10/2/91		<i>[Signature]</i>	LOC J	NO 108-5165
	A	Revised RFA-844			10/2/91		<i>[Signature]</i>	A	REV B1
O	Released			10/2/91					
LTR	REVISION RECORD		DR	CHK	DATE	SHEET 1 OF 16		NAME Product Specification Multi-interlock Mark II Connector For Wire-to-Board Termination	

3.2 Contact:

A contact is an electrically conductive metallic component member to make circuit termination, being encapsulated in housing cavity.

3.3 Connector:

A connector is an assembly of a housing and contact(s). A connector is used on the free end of wires, or being attached on the printed circuit board.

4. Material and Finish:

4.1 Contact:

Contact shall be made from tin-plated brass strip conforming to Alloy No. 260 of ASTM B-36.

4.2 Housing:

Housing shall be made of molded Nylon resin.

5. Product Feature, Construction and Dimensions:

5.1 Contact:

Product feature, construction and dimensions of contact shall be conforming to the applicable customer product drawing(s). All the tab contacts and receptacle contacts shall be mated regardless of the wire sizes applied to the contacts.

5.2 Housing:

Product feature, construction and dimensions of housing shall be conforming to the applicable customer product drawing(s). The housings shall be provided with polarization to prevent connectors from mismatching.

6.1 Ratings:

6.1 Temperature Rating:

Temperature rating shall be within the range of -30 - +105°C.

6.2 Applicable Printed Circuit Board Thickness:

The thickness of the applicable printed circuit board shall be 1.6 ± 0.15mm.

6.3 Applicable Wires:

Contact No.	Applicable Wire	Insulation Diameter
172773 172774	0.5-2.27mm ² (AWG#20-#14) 1 wire or 0.5mm ² + 0.5mm ² or 0.5mm ² + 0.85mm ² 2 wires	2.1 - 3.4 mm
172775 172776	0.3-0.89mm ² (AWG#22-#18) 1 wire	1.5 - 2.6 mm

SHEET		AMP		AMP (Japan) Ltd. TOKYO, JAPAN	
2 OF 16		LOG	A	NO	108-5165
		J			REV B1
NAME Product Specification Multi-interlock Mark II Connector For Wire-to-Board Termination					

108-5165

NUMBER

AMP SECURITY CLASSIFICATION
Customer Release

7. Performance Requirements and Test Methods:

7.1 Performance Requirements:

When tested in accordance with the test method specified in Para. 7.2, and the test sequence specified in Para. 7.3, the performance requirement specified in Fig. 1 shall be met.

Test Item (Paragraph Number)	Contact Performance Requirements Initial	Connector Performance Initial	Requirements After Environmental Conditioning (Final)
Appearance (7.2.1)	Visually and tactually inspect for presence of cracks, breakage, damages, slacking and loose of parts, rust, fusion and deformation that are detrimental to connector functions.		
Contact or Connector Insertion Force: (Para. 7.2.2)	2.9 - 7.8 N (0.3 - 0.8 kgf)	5-Pos.	58.8 N (6.0 kgf) max.
		7-Pos.	73.5 N (7.5 kgf) max.
		9-Pos.	88.3 N (9.0 kgf) max.
		11-Pos.	103.0 N (10.5 kgf) max.
		13-Pos.	122.6 N (12.5 kgf) max.
		17-Pos.	156.9 N (16.0 kgf) max.
		21-Pos.	186.3 N (19.0 kgf) max.
		22-Pos.	Addition of 9-Pos. & 13-Pos.
Contact or Connector Extraction Force: (Para. 7.2.3)	2/0 - 7.8 N (0.2 - 0.8 kgf)	5-Pos.	6.9- 58.8N(0.7- 6.0 kgf)
		7-Pos.	9.8- 73.5N(1.0- 7.5 kgf)
		9-Pos.	12.7- 88.3N(1.3- 9.0 kgf)
		11-Pos.	15.7-103.0N(1.6-10.5 kgf)
		13-Pos.	19.6-122.6N(2.0-12.5 kgf)
		17-Pos.	24.5-156.9N(2.5-16.0 kgf)
		21-Pos.	31.4-186.3N(3.2-19.0 kgf)
		22-Pos.	Addition of 9-Pos. & 13-Pos.
Termination Resistance (Low Level) (Para. 7.2.4)	3 mΩ max.	3 mΩ max.	6 mΩ max.
Termination Resistance (Rated Current) (Para. 7.2.5)	3 mV/A max.	3 mV/A max.	6 mV/A max.
Physical Touch/Feeling at Insertion/Extraction Handling (Para. 7.2.6)	No conflict or difficulties that are detrimental to insertion/extraction assembly operation, shall be perceived.		
Insulation Resistance (Para. 7.2.7)	//	100 MΩ min.	
Dielectric Strength: (Para. 7.2.8)	//	No abnormalities shall be evident, after applying test potential of 1,800V AC for 1 minute.	
Current Leakage (Para. 7.2.9)	//	3 mA max.	

Fig. 1
(To be continued)

SHEET

3 OF 16

AMP

AMP (Japan), Ltd.
TOKYO, JAPAN

LOC J A NO 108-5165

REV. B1

NAME Product Specification
Multi-interlock, Mark II Connector
For Wire-to-Board Termination

NUMBER	108-5165																																							
	Customer Release																																							
AMP SECURITY CLASSIFICATION	Release																																							
	Customer Release																																							
7.1 (Continued)																																								
Test Item (Paragraph Number)		Contact Performance Requirements Initial		Connector Performance Requirements Initial																																				
Contact Retention Force (Para. 7.2.10)		—//—		78.0 N (8.0 kgf) min.																																				
Crimp Tensile Strength (Para. 7.2.11)		<table border="1"> <thead> <tr> <th colspan="2">Wire Size</th> <th colspan="2">Tensile</th> </tr> <tr> <th>mm²</th> <th>(AWG)</th> <th>N</th> <th>(kgf)</th> </tr> </thead> <tbody> <tr> <td>0.3</td> <td>(#22)</td> <td>49.0</td> <td>5.0</td> </tr> <tr> <td>0.5</td> <td>(#20)</td> <td>88.3</td> <td>9.0</td> </tr> <tr> <td>0.85</td> <td>(#18)</td> <td>127.5</td> <td>13.0</td> </tr> <tr> <td>1.25</td> <td>(#16)</td> <td>176.5</td> <td>18.0</td> </tr> <tr> <td>2.0</td> <td>(#14)</td> <td>264.8</td> <td>27.0</td> </tr> <tr> <td></td> <td></td> <td></td> <td></td> </tr> <tr> <td></td> <td></td> <td></td> <td></td> </tr> </tbody> </table>		Wire Size		Tensile		mm ²	(AWG)	N	(kgf)	0.3	(#22)	49.0	5.0	0.5	(#20)	88.3	9.0	0.85	(#18)	127.5	13.0	1.25	(#16)	176.5	18.0	2.0	(#14)	264.8	27.0									—//—
Wire Size		Tensile																																						
mm ²	(AWG)	N	(kgf)																																					
0.3	(#22)	49.0	5.0																																					
0.5	(#20)	88.3	9.0																																					
0.85	(#18)	127.5	13.0																																					
1.25	(#16)	176.5	18.0																																					
2.0	(#14)	264.8	27.0																																					
Housing Retention Force (Para. 7.2.12)		—//—		98.0 N (10.0 kgf) min.																																				
Current Cycling (Para. 7.2.13)		—//—		When tested in accordance with the test sequence specified in Fig. 12, termination resistance low level shall be not greater than 6 mΩ, and termination resistance, rated current, shall be not greater than 6 mV/A.																																				
Temperature Rising (Para. 7.2.14)																																								
Repeated Insertion and Extraction (Para. 7.2.15)																																								
"Kojiri" Resistivity (Para. 7.2.16)																																								
Heat Resistivity (Para. 7.2.17)																																								
Cold Resistivity (Para. 7.2.18)																																								
Thermal Shock (Para. 7.2.19)																																								
Humidity (Steady State) (Para. 7.2.20)																																								
Salt Spray (Para. 7.2.21)																																								
Oil Resistivity (Para. 7.2.22)																																								
Dust and Sand Bombardment (Para. 7.2.23)																																								
Icing (Para. 7.2.24)																																								
Sulfurous Acid Gas Resistivity (Para. 7.2.25)																																								
Vibration, High Frequency (Para. 7.2.26)																																								
Vibration, Low Frequency (Para. 7.2.27)																																								
Current Overload (Para. 7.2.28)				Connector shall not start inflammation.																																				
Connector Insertion Force (Additional) (Para. 7.2.2)		—//—		15-Position 142.0 N (14.5 kgf) max.																																				
Fig. 1 (To be continued)		SHEET		AMP (Japan), Ltd. TOKYO, JAPAN																																				
		4 OF 16		LOC J A NO 108-5165 REV. B1																																				
		NAME Product Specification Multi-interlock, Mark II Connector For Wire-to-Borad Termination																																						

7.1 (Continued)

108-5165
NUMBER

Test Item (Paragraph Number)	Contact Performance Requirements Initial	Connector Performance Requirements Initial	Connector Performance Requirements after Environmental Conditioning (Final)
Connector Extraction Force (Additional) (Para. 7.2.3)	//	15-Pos. 21.6 - 142.0 N (2.2 - 14.5 kgf)	
Contact Mounting Force (Para. 7.2.29)	//	14.7 N (1.5kgf)max.	//

Fig. 1 (End)

Customer Release
AMP SECURITY CLASSIFICATION

7.2 Test Methods:

7.2.1 Appearance:

Visually and tactually inspect to confirm if the abnormalities such as cracks, breakage, damages, slacking and loose of parts, rust fusion and deformation that are detrimental to connection, are not existing.

7.2.2 Contact or Connector Insertion Force:

Securely fasten one of the mating pair of contacts or connectors on the tensile testing machine, and apply an axial push in force to the counter-part contact or connector to mate with by operating the head to travel with the speed at a rate of 100mm a minute uniformly. For this test, locking device is not set in effect.

7.2.3 Contact or Connector Extraction Force:

Securely fasten one of the mated pair of contacts or connectors on the tensile testing machine, and apply an axial pull off load to the counter-part contact or connector to unmate by operating the head to travel with the speed at a rate of 100mm a minute uniformly. For this test, locking device is not set in effect.

7.2.4 Termination Resistance (Low Level):

Apply test current of 50mA maximum at open circuit voltage of 50mV maximum DC to the contacts in the mated pair of contacts or connectors, and measure by probing at the point 75mm apart from the wire crimp (across Y-Y' in Fig. 2). Termination resistance is obtained by calculation after deducting the resistance of the 75mm long wire used for termination. The measurement shall be done by probing the positions one by one respectively.

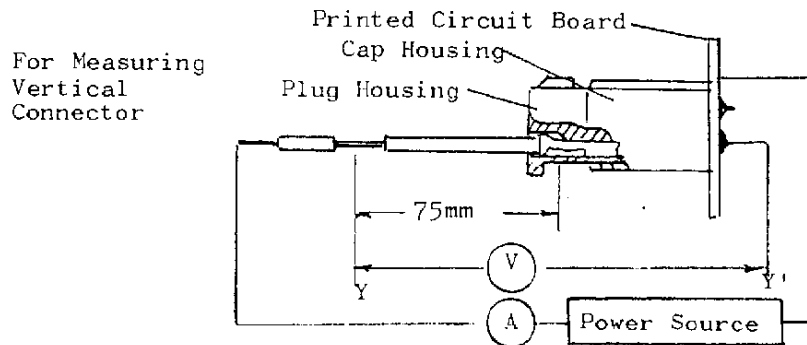


Fig. 2a

SHEET		AMP		AMP (Japan), Ltd. TOKYO, JAPAN	
5 OF 16	LOC J	NO A	108-5165		REV. B1
NAME Product Specification Multi-interlock, Mark II Connector For Wire-to-Board Termination					

For Measuring
Horizontal
Connector

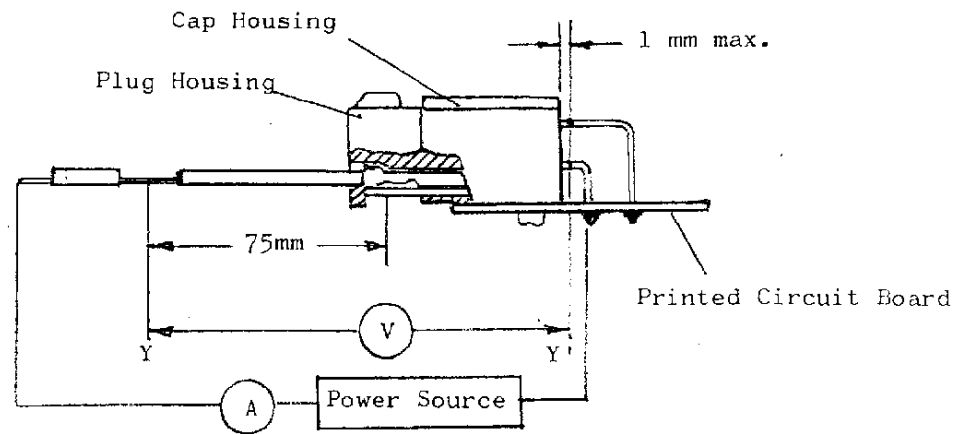


Fig. 2b

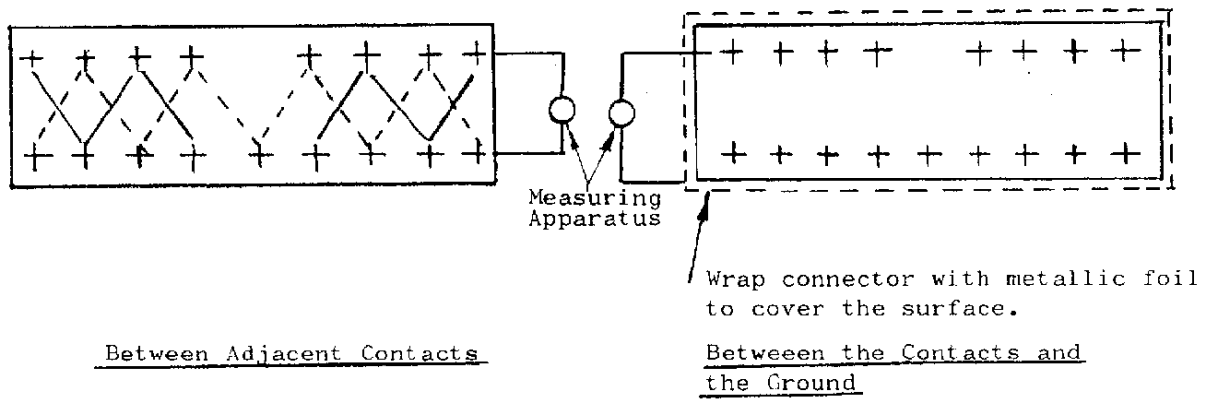
7.2.5 Termination Resistance (Rated Current):

Apply test current of 1 A at open circuit voltage of 12 V DC to the contacts or connector in the mated condition, and measure by probing at the point 75mm apart from the wire crimp (across Y-Y' in Fig. 2). Termination resistance is obtained by calculation after deducting the resistance of the 75mm long wire used for termination. The measurement shall be done by probing the positions one by one respectively.

7.2.6 Physical Touch/Feeling at Insertion/Extraction of Contact or Connector:
Tactually inspect the contacts or the connector by inserting and extracting the pairing parts by hands for presence of any conflict or difficulties during the operation.

7.2.7 Insulation Resistance:

Insulation resistance shall be tested by applying test potential of 500 V DC between the adjacent contacts and between the contacts and the ground of the mated pair of connectors shown in Fig. 3. Measurement shall be done by using insulation megohmmeter.



Note: Metallic foil must be kept apart more than 5mm from the exposed contact end.

Fig. 3

SHEET		AMP		AMP (Japan), Ltd. TOKYO, JAPAN	
6 OF 16	LOC J	A	NO 108-5165	REV. B ₁	
NAME Product Specification Multi-interlock, Mark II Connector For Wire-to-Board Termination					

7.2.8 Dielectric Strength:

Dielectric strength shall be measured by applying test potential of 1800 V AC in commercial frequency between the adjacent contacts and between the contacts and the ground to the circuit formed as shown in Fig. 3 in the mated pair of connectors for 1 minute.

7.2.9 Current Leakage:

After exposing the mated pair of connector sample in the test chamber where $60 \pm 5^{\circ}\text{C}$, 90/95% R.H. is maintained, for 1 hour, take out from the chamber and apply test potential of 12V DC between the adjacent contacts that are connected as shown in Fig. 4. Measure leakage of electric current.

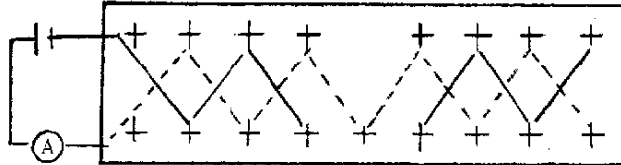


Fig. 4

7.2.10 Contact Retention Force:

Load contacts in housing that are crimped on approximately 100mm long, 0.85mm^2 or greater wire. Fasten the housing on the tensile testing machine, and apply an axial pull off load to the crimped wire with the speed at a rate of 100mm a minute. Measure and record the force required to dislodge the contact from the contact position.

7.2.11 Crimp Tensile Strength:

Fasten an approximately 100mm long wire crimped contact on the tensile testing machine and apply an axial pull-off load to the crimped wire by operating the head to travel with the speed at a rate of 100mm a minute uniformly. The force required to pull off the wire from the wire crimp or to break the wire shall be measured and recorded.

7.2.12 Housing Retention Force:

Fasten a pair of mated connectors on the tensile testing machine, and with one of the connectors securely held, pull the counterpart connector by operating the the head to travel with the speed at a rate of 100mm a minute uniformly. The force required to separate the connectors with or without break-off of locking legs of housing, shall be measured and recorded.

7.2.13 Current Cycling:

Apply the test current of calculated intensity obtained from Fig. 5, to the 4 positions in the middle part of the testing sample, and to the remainder contact positions, apply a half intensity current of the specified value, for 15 minutes, and deenergize for 15 minutes. Making this a cycle, repeat for 200 cycles. The test shall be performed in a draft-free test chamber.

SHEET		AMP		AMP (Japan), Ltd. TOKYO, JAPAN	
7 OF 16		LOG	NO	108-5165	
		J	A	REV. Bf	
NAME .Product Specification					
Multi-interlock, Mark II Connector For Wire-to-Board Termination					

Wire Size (AWG)	Wire mm ²	Test Current (A) DC	Number of Positions	Coefficient of Current Loading
#20	0.5	11	1	1
#18	0.85	14.5	2 - 3	0.75
#16	1.25	18.5	4 - 5	0.6
#14	2.0	25.0	6 - 8	0.55
			9 - 12	0.5
			13 & Over	0.4

Fig. 5

Note: The test current to be loaded for the test is obtained by calculation of the specified intensity designated for the wire size to be used, multiplied by the number of positions and coefficient of current loading, shown in the above tables.

7.2.14 Temperature Rising:

Energize the test current of the intensity obtained from the calculation of the value in Fig. 5 to the circuits of mated pair of connectors for 2 hours, and measure the temperature rising in the middle surface of the housing. From the measured value, subtract the value of room temperature, and confirm the remainder value is less than 65°C. This test shall be performed in the draft-free test chamber.

7.2.15 Repeated Insertion/Extraction:

Securely fasten one of the mated pair of connectors on the tensile testing machine, and operate the head to apply an axial load to the counterpart connector to mate and unmate as the head is travelling at a rate of 100mm a minute. Repeat 50 cycles of insertion and extraction.

7.2.16 "Kojiri" Resistivity:

Securely place one of the mated pair of connectors on the sturdy bench, and apply reciprocating force to the upper part of the free end of the connectors in the direction perpendicular to connector working axis, at every 1 mm graduation from the fully mated depth of the connectors until they become unmated. The strokes shall be applied in back/forth with 196.1N(20.0 kgf.cm)(T) torque. Making this one cycle, and repeat for 50 cycles. After finishing back/forth cycling, apply right/left "Kojiri" cycling with the same manner for 50 cycles.

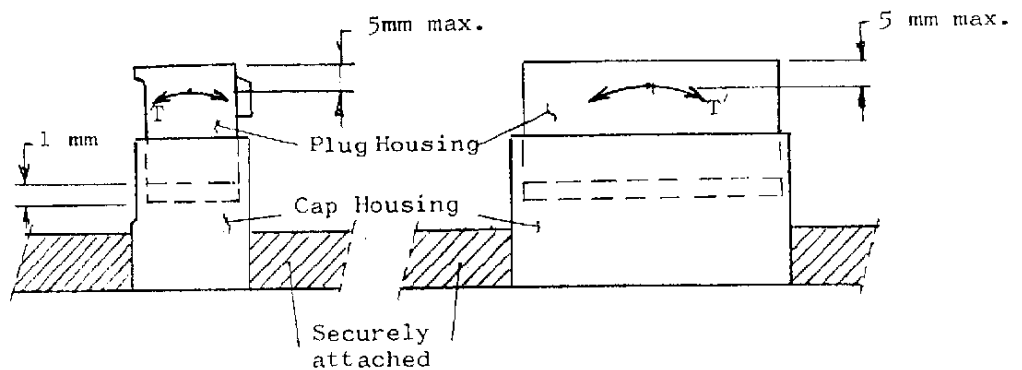


Fig. 6

SHEET		AMP		AMP (Japan), Ltd. TOKYO, JAPAN	
8	OF 16	LOC	A	NO	108-5165
				REV.	B4
NAME Product Specification					
Multi-interlock, Mark II Connector					
For Wire-to-Board Termination					

7.2.17 Heat Resistivity:

Expose the mated pair of connectors under the elevated temperature of 100°C in the test chamber for 2 hours. After the test duration, recondition in the room temperature and measure for the subsequent testing.

7.2.18 Cold Resistivity:

Expose the mated pair of connectors under the chilling temperature of -50°C in the test chamber for 2 hours. After the test duration, recondition in the room temperature and measure for the subsequent testing.

7.2.19 Thermal Shock:

Mated pair of connectors shall undergo 5 cycles of temperature changes in the sequence specified in Fig. 7. After the conditioning, recondition in the room temperature and measure for the subsequent testing.

Step	Test Conditions
1	$80 \pm 5^{\circ}\text{C}$ 2 hours
2	Room Temperature 5 minutes max.
3	$-30 \pm 5^{\circ}\text{C}$ 2 hours
4	Room Temperature 5 minutes

Fig. 7

7.2.20 Humidity (Steady State):

Form a circuit in the mated connectors as specified in Fig. 4, and with the test potential of 28V DC applied to the circuit, expose the sample connectors under the atmosphere of $60 \pm 5^{\circ}\text{C}$, with 90-95% relative humidity in the test chamber for 48 hours. After the test duration, recondition in the room temperature and measure for the subsequent testing.

7.2.21 Salt Spray

Mated pair of connectors shall be exposed under 5% salt spray in accordance with the test method specified in JIS C 5028. The sample shall undergo exposure for 24 hours and after resting for 1 hour, expose under the conditioning for another 1 hour. After completion of duration, rinse with tap water to remove salty residue, dry in the room temperature for 1 hour.

7.2.22 Oil Resistivity:

Immerse mated pair of connectors in the following test oil that is controlled at $50 \pm 2^{\circ}\text{C}$, specified in Fig. 8.

Type of Oil	Time of Immersion	Sequence of Immersion
Torque Converter Oil	1 hour	1
Transmission Oil	1 hour	3
Engine Oil	1 hour	5
Clutch Oil	1 hour	7
Brake Oil	1 hour	9
Kerosene	5 minutes	2,4,6,8,10

Fig. 8

SHEET		AMP		AMP (Japan), Ltd. TOKYO, JAPAN	
9 OF 16	LOC J	A	NO 108-5165	REV. B1	
NAME Product Specification Multi-interlock, Mark II Connector For Wire-to-Board Termination					

7.2.23 Dust and Sand Bombardment:

Suspend mated pair of connectors with wire entry of plug housing facing upward as shown in Fig. 9 in the closed test chamber whose dimensions are between 900mm and 1,200mm in width, height and depth, where the connectors are subject to ejection of Portland powdered cement conforming to JIS R 5210 by the aid of compressed air at a rate of 1.5 kgf within 10 seconds once every 15 minutes. The ejected cement is dispersed with the use of power-driven fan. The test duration should be 1 hour. After completion of test duration, replace the connector sample from the test chamber and measure for the subsequent testing.

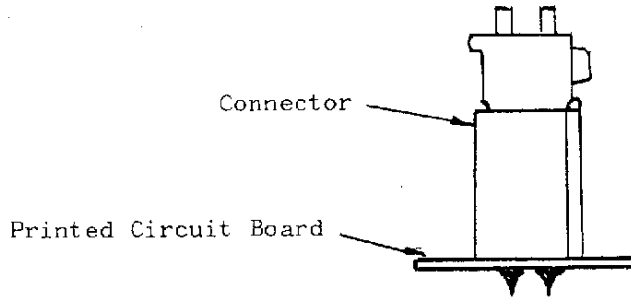


Fig. 9

7.2.24 Icing:

Immerse mated pair of connectors in the boiling hot water for 1 hour, and soon after it, place in the test chamber where the chilling temperature of $-30 \pm 5^{\circ}\text{C}$ is controlled, and expose until the drenched water turns to ice. After the connectors become frozen, take out of the test chamber and recondition in the room temperature to melt the ice completely. Measure for the subsequent testing.

7.2.25 Sulfurous Acid Gas Resistivity:

Expose mated pair of connectors under the sulfurous acid gas atmosphere of 10 ppm in room temperature with relative humidity of 90 % minimum for 24 hours. After completion of test duration, take out the connector and measure for the subsequent testing.

7.2.26 Vibration, High Frequency:

Contact-loaded and series-wired, mated pair of connectors are vibrated on the vibration testing machine. The vibration shall be such that frequency changing from 20 to 200 Hz, reciprocating one cycle a minute, with the accelerated velocity of 44m/S^2 (4.5G) for 8 hours. During vibration, test current of 0.1 A at open circuit voltage of 12V DC shall be applied to flow through the circuit as shown in Fig. 10, and the circuit shall be monitored for electrical discontinuity greater than 1 millisecond taking place in the circuit.

SHEET		AMP AMP (Japan), Ltd. TOKYO, JAPAN		
10 OF 16	LOC J	A	NO 108-5165	REV. B1
NAME Product Specification Multi-interlock, Mark II Connector For Wire-to-Board Termination				

Wire Length to be 150mm approximately
(Do not strain the wire.)

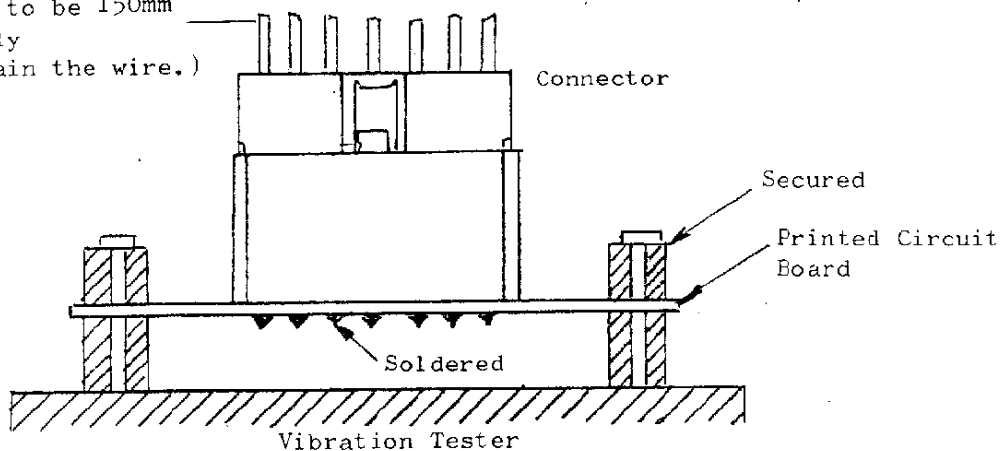


Fig. 10

7.2.27 Vibration, Low Frequency:

Contact-loaded, series-wired, mated pair of connector shall be tested in accordance with SAE J 577 by mounting securely on the vibration testing machine. The connectors shall be vibrated by 750Hz, with the cam drop stroke of 3.2mm, suspended by the spring tension ranging between 264.8-313.8N (27-32 kgf) for 1 hour. During the vibration test, the circuit is energized with the test current of 0.1A at open circuit voltage of 12V DC flowing through the circuit, and the circuit shall be monitored for electrical discontinuity greater than 1 millisecond taking place in the circuit.

7.2.28 Overcurrent Loading:

Hold the mated pair of connectors horizontally, and apply the test current specified in Fig. 11 to randomly selected contact position, and observe if the housing starts inflammation during energizing for 1 minute.

Wire Size (mm ²)	Wire Size (AWG)	Test Current (DC A)
0.5	(#20)	50
0.85	(#18)	75
1.25	(#16)	100
2.0	(#14)	200

Fig. 11

7.2.29 Contact Loading Force:

Insert wire-crimped contact into housing cavity, and measure the force required to insert and lock the contact in position by travelling the head with the speed at a rate of 100mm a minute approximately.

SHEET		AMP		AMP (Japan), Ltd. TOKYO, JAPAN	
110F 16		LOC J	A	NO 108-5165	REV. B1
NAME Product Specification Multi-interlock, Mark II Connector For Wire-to-Board Termination					

NUMBER 108-5165

AMP SECURITY CUSTOMER CLASSIFICATION RELEASE

7.3 Test Sequence:

The tests shall be performed in the sequence specified in Fig. 12.

Classification	Sample Groups																						
	Test Item	Contact	I	II	I				II				III				IV						
Appearance			1	1					1					1		19	26	1					
Contact or Connector Insertion Force			2	2					2					2				27					
Contact or Connector Extraction Force			5	8					8					8				25					
Termination Resistance (Low Level)			3	3	11	14	17	21	24	3	11	15	18	22	25	28	31	3	11	14	17	21	
Termination Resistance (Rated Current)			4	4	12	15	18	22	25	4	12	16	19	23	26	29	32	4	12	15	18	22	
Physical Touch/Feeling at Insertion/Extraction of Conn.			6	9					26	9						33	9						28
Insulation Resistance				6						6								6					
Dielectric Strength				7						7	13							7					23
Current Leakage				5			19			5			20					5					24
Current Cycling							20																
Temperature Rising							23																
Contact Retention Force									28														35
Crimp Tensile Strength			1																				
Housing Retention Force									27														34
Repeated Insertion/Extraction Force																							10
"Kojiri" Resistivity				10									24										
Heat Resistivity										10													
Cold Resistivity											14												
Thermal Shock													21										
Humidity(Steady State)													17										
Salt Spray																							13
Oil Resistivity																							16
Dust and Sand Bombardment							13																
Icing							16																
Sulfurous Acid Gas Resistivity																							20
Vibration High Frequency																27							
Vibration Low Frequency																	30						
Overcurrent Loading																							29
Contact Loading Force																							2

Fig. 12

SHEET		AMP		AMP (Japan), Ltd.	
12 OF 16				TOKYO, JAPAN	
LOC	J	NO	A	108-5165	REV
NAME		B1			
Product Specification Multi-interlock, Mark II Connector For Wire-to-Board Termination					

AMP SECURITY CLASSIFICATION
 Customer Release
 NUMBER 108-5165

8. Quality Assurance Provisions:

8.1 Test conditions:

Unless otherwise specified, all the tests shall be performed under any combination of the following test conditions.

Temperature: 15 - 35°C
 Relative Humidity: 45 - 75%
 Atmospheric Pressure: 86.7 ~ 107 K Pa (650 - 800mmHg)

8.2 Tests:

8.2.1 Test Specimens:

The test specimens to be employed for the tests shall be prepared by using products selected from the normal production with crimping in accordance with Application Specification, 114-5071, Crimping Multi-interlock Connector (MIC) Mark II Contact, on the wires as specified in Fig. 14.

No sample shall be reused for the test, unless otherwise specified.

8.2.2 Number of Samples:

Each group of sample group shall consist of 10 pieces minimum for testing on contacts, and 2 sets minimum for testing on connectors.

8.2.3 Printed Circuit Board:

The printed circuit board to be used for the testing shall be the ones having dimensions as specified in Fig. 13.

SHEET		AMP		AMP (Japan), Ltd. TOKYO, JAPAN	
13 OF 16		LOC	NO	108-5165	
		J	A		
NAME		Product Specification Multi-interlock, Mark II Connector For Wire-to-Board Termination			
				REV.	B1

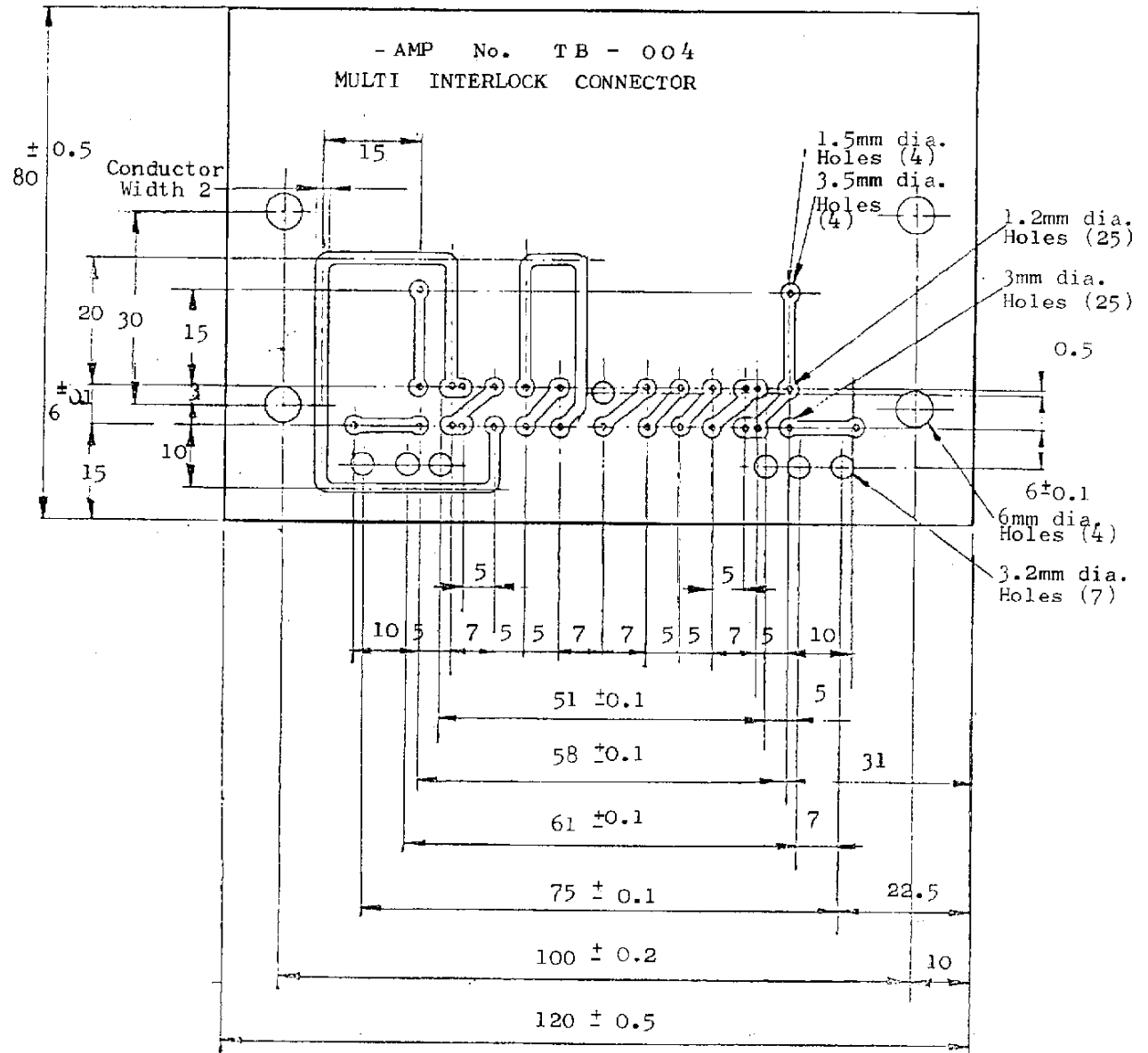


Fig. 13

- Note: 1. Material Paper Based Phenolic Laminated, 70µm Thk Copper Clad One Side Only, Paper Thickness: 1.6 ± 0.15mm, Type XPC (NEMA Specification Conformance)
2. Pitch: Tolerance: ± 0.1 Non-acumulative
3. Tolerance: Unless otherwise specified, tolerance to be within ± 0.2mm
4. Finish: Tin-plated, Flux Applied
5. Unit: mm

SHEET		AMP		AMP (Japan), Ltd. TOKYO, JAPAN	
14 OF 16		LSC	NO	108-5165	
		J	A	B1	
NAME Product Specification					
Multi-interlock, Mark II, Connector For Wire-to-Board Termination					

8.2.4 Applicable Wires:

The wires used for termination of products for evaluation testing, shall be conforming to the following requirements specified in Fig. 14.

Wire Size		Strand Composition		Calculated Cross-Section	
Nominal mm ²	(AWG)	Diameter of a Strand (mm)	Number of Strands	Area (mm ²)	Area (CMA)
0.3	(#22)	0.18	12	0.31	602
0.3	(#22)	0.26	7	0.37	733
0.5	(#20)	0.32	7	0.56	1,111
0.85	(#18)	0.32	11	0.88	1,746
1.25	(#16)	0.32	16	1.28	2,540
2.0	(#14)	0.32	26	2.09	4,128

Fig. 14

9. Handling Specification:

9.1 Crimping Operation:

In order to maintain designated performance capability of the product crimping of Multi-interlock, Mark II contact shall be controlled by AMP Application Specification 114-5071, Crimping Multi-interlock Mark II Contacts.

9.2 Solder Cap Housing:

When to assemble cap housing and printed circuit board, mount the housing and secure by screw-on attachment using tapping screw conforming to Class 1, M3 of JIS B 1115, then solder the contacts. In order to assure reliable solderability of the product contacts, soldering shall be performed within 6 months after the delivery.

9.3 Taping of Wires at Assembly of Harnesses:

In order to maintain engagement and retention capability of connectors, wire bundling by tapes shall be controlled properly to allow slack of wire bundle just next to wire lead out of housing as shown in Fig. 15.

SHEET	AMP AMP (Japan), Ltd. TOKYO, JAPAN		
15 OF 16	LOC J A	NO 108-5165	REV. B1
NAME Product Specification Multi-interlock, Mark II Connector For Wire-to-Board Termination			

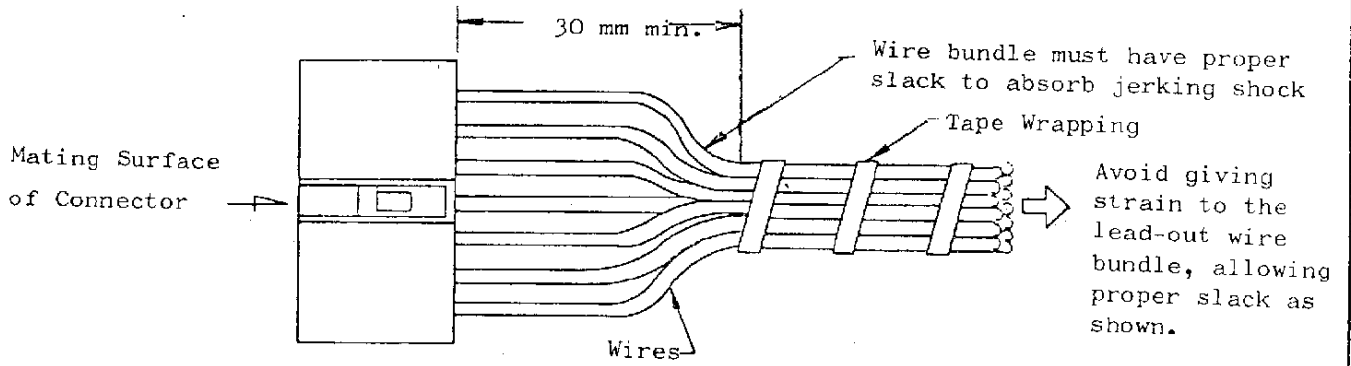


Fig. 15

9.4 Extraction of Contact from Housing:

When extraction of contact from housing is required, use AMP specified extraction tool in accordance with the instruction sheet attached to the tool.

9.5 Crimping Tool:

Crimping of the contacts shall be performed by using AMP specified application tooling, i.e. applicator and hand tools. Never attempt deviated crimping by using tooling other than specified.

10. Reference Documents:

The following specification form a part of this specification to the extent specified herein.

- JASO D 605-74 Multi-pole Connector for automobiles (7002)
- JASO 7101 Test Methods for Plastic Molded Parts
- JIS C 3406 Low Voltage Wires and Cables for Automobiles
- JIS D 0203 Method of Moisture, Rain and Spray Test for Automobile Parts
- JIS D 0204 Method of Low and High Temperature Test for Automobile Parts
- JIS D 1601 Vibration Testing Method for Automobile Parts
- JIS R 5210 Portland Cement
- 114-5071 Crimping Multi-interlock Mark II Connector Contacts
- JIS C 5028 Salt Mist Testing Method for Electronic Components
- MIL-STD-202 Test Method 208 Solderability, Test Methods for Electronic and Electrical Component Parts
- JIS D 5500 Lighting and Signaling Equipment for Automobile Parts

SHEET		AMP AMP (Japan), Ltd. TOKYO, JAPAN	
16 OF 16	LOC J A		
NAME Product Specification Multi-interlock Mark. II Connector For Wire-to-Board Termination			



社内標準

(技術標準)

管理基準：一般顧客用

日本エー・エム・ピー株式会社

製品規格

108-5165

プリント基板用マルチ・インターロック・コネクタ(MIC)マークII

1. 適用範囲

本規格は、マルチ・インターロック・コネクタ(MIC)マークIIのうち、
電線対プリント基板用の次の型番のコンタクト及びハウジングについて規定する。

2. 製品型番及び名称

2.1 リセブタクル・コンタクト(以下リセブタクルという)

型番： 172773, 172774, 172775, 172776

2.2 ハウジング

極数	名称 プラグ ハウジング	キャップ・ハウジング		Locking Plate for DBL Lock
		垂直型	水平型	
5	172494	172037	172040	174395
7	172495	172036	172039	174396
9	172496	172035	171894	174397
11	172497	172034	172038	174398
13	172498	171362	171882	174399
17	172500	171363	171366	174400
21	172501	171457	171367	174401
22	—	—	171896	—
15	172499	—	—	—
13	173127	171362	171882	173128
17	173125	171363	171366	173126

B1	改訂 FJ00-1742-99	kk kk 10/19	作成:	分類:	製品規格
B	改訂 RFA-1927	XJ 10/22	H. S. Subarashi		
A2	REVISED RFA-1892	XJ 10/27	検閲:	コード:	改訂
A1	改訂 RFA-1481			108-5165	B1
A	新型表追加 RFA-844	XJ XJ 10/28	H. S. Subarashi		
0	作成 REA-589	KS KS 10/22	承認:	名称:	プリント基板用
改訂	改訂記録	作成 検閲 承認 年月日	X. Taniguchi 11/24/82		マルチ・インターロック コネクタ(MIC)マークII
配布	昭和 57 年 10 月 5 日 制定	17 頁中 1 頁			

3. 用語の説明

本規格に適用する用語の意味は次の通りとする。

ハウジング： コネクタの構成部品でコンタクトを収容するものをいう。

コンタクト： コネクタの構成部品である接触子をいう（リセプタクルとタブ）

コネクタ： 電線を圧着したコンタクトをハウジングにアセンブリしたもの、またはコンタクトがハウジングに圧入され、プリント基板に取りつけられたものをいう。

4. 使用材料，表面処理

4.1 コンタクト： コンタクトはASTM B36 ALLOY-260 に準拠する錫めっき付黄銅条より製造される。

4.2 ハウジング： ハウジングはナイロン樹脂により製造される。

5. 構造，形状及び寸法

5.1 コンタクト

コンタクトの構造，形状及び寸法は図面に合致していること。また全てのタブ・コンタクト（以下タブという）とリセプタクルは，適用電線範囲に関係なく相互に嵌合できること。

5.2 ハウジング

ハウジングの構造，形状及び寸法は図面に合致していること。また，誤嵌合防止機構及びハウジング相互のロック機構を有する。

6. 使用条件

6.1 使用温度範囲

-30~105℃（周囲温度+通電による温度上昇）但し，機械的性能評価を除く。

6.2 適用プリント基板厚： 1.6±0.15 mm

6.3 適用電線範囲

カタログ番号	適用電線範囲	絶縁被覆外径
172773	0.5~2.27 mm ² (AWG #20-#14) 1本	2.1~3.4 mm
172774	または，0.5+0.5 mm ² ，0.5+0.85 mm ² 2本圧着	
172775	0.3~0.89 mm ² (AWG #22-#18) 1本	1.5~2.6 mm
172776		

分類：	製品規格	標準の名称：	プリント基板用 マルチ・インターロック・コネクタ(MIC)マークII	標準のコード：	108-5165	改訂：	2頁 B4 17頁中
-----	------	--------	---------------------------------------	---------	----------	-----	---------------

7. 性能及び試験方法

7.1 性能

第7.2項「試験方法」及び第7.3項「試験順序」に基づき試験した結果、Fig 1の性能を満足すること。

項目	分類 試験方法	コネクタの性能	
		初期性能	初期性能 耐久・環境試験後の性能
外観	7.2.1	亀裂、割損、破損、がた、部品のはずれ、錆び、溶解等で機能を損う欠点のないこと。	
コネクタ又はコネクタ挿入力	7.2.2	2.9-7.8N (0.3~0.8Kgf)	5極 — 58.8N(6Kgf) 以下
			7極 — 73.5N(7.5Kgf) 以下
			9極 — 88.3N(9Kgf) 以下
			11極 — 103.0N(10.5Kgf) 以下
			13極 — 122.6N(12.5Kgf) 以下
			17極 — 156.9N(16Kgf) 以下
			21極 — 186.3N(19Kgf) 以下
コネクタ又はコネクタ引抜き力	7.2.3	2.0-7.8N (0.2~0.8Kgf)	5極 — 6.9-58.8N(0.7-6Kgf)
			7極 — 9.8-73.5N(1-7.5Kgf)
			9極 — 12.7-88.3N(1.3-9Kgf)
			11極 — 15.7-103.0N(1.6-10.5Kgf)
			13極 — 19.6-122.6N(2-12.5Kgf)
			17極 — 24.5-156.9N(2.5-16Kgf)
			21極 — 31.4-186.3N(3.2-19Kgf)
22極 — 9極及び13極参照			
総合抵抗(ローレベル)	7.2.4	3 mΩ 以下	3 mΩ 以下 6 mΩ 以下
総合抵抗(規定電流)	7.2.5	3 mV/A 以下	3 mV/A 以下 6 mV/A 以下
挿抜のフィーリング	7.2.6	有害な引掛り等のないこと	
絶縁抵抗	7.2.7	100 MΩ 以上	
耐電圧	7.2.8	AC 1,800V, 1分間にて異常なきこと。	
リーク電流	7.2.9	3 mA 以下	
コネクタ保持力	7.2.10	78.0N(8Kgf) 以上	
圧着部引張強度	7.2.11	0.3 mm — 49.0N(5Kgf) 以上	—
		0.5 mm — 88.3N(9Kgf) 以上	
		0.85 mm — 127.5N(13Kgf) 以上	
		1.25 mm — 176.5N(18Kgf) 以上	
		2. mm — 264.8N(27Kgf) 以上	

Fig 1 (続く)

分類： 規格	標準の名称： プリント基板用 マルチ・インターロック・コネクタ(MIC)マークII	標準のコード： 108-5165	改訂 B4	3頁 17頁中
-----------	---	---------------------	----------	------------

Fig 1 (続き)				
項 目	分 類	コンタクトの性能	コネクタの性能	
	試験方法	初期性能	初期性能	耐久・環境試験後の性能
ハウジング保持力	7.2.12	-#	98N(10Kgf) 以上	
電 流 サ イ ク ル	7.2.13	— / —	Fig.12 に示す順序で試験を行ったとき総合抵抗 (ローレベル) は 6 mΩ 以下, 総合抵抗 (規定電流) では 6 mV/A 以下であること。	
温 度 上 昇	7.2.14			
繰 返 し 挿 抜	7.2.15			
耐 こ じ り 性	7.2.16			
耐 熱 性	7.2.17			
耐 寒 性	7.2.18			
熱 衝 撃	7.2.19			
耐 湿 性 (定常状態)	7.2.20			
塩 水 噴 霧	7.2.21			
耐 油 性	7.2.22			
耐 塵 性	7.2.23			
ア イ シ ン グ	7.2.24			
垂 硫 酸 ガ ス 性	7.2.25			
高 周 波 振 動	7.2.26			
耐 衝 撃 性	7.2.27			
過 電 流 耐 力	7.2.28	着火のないこと		
コネクタ挿入力 (追加)	7.2.2	-#	15 極 - 142N(14.5Kgf) 以下	
コネクタ引抜力 (追加)	7.2.3	-#	15 極 - 21.6-142.2N(2.2-14.5Kgf)	
コンタクト装着力	7.2.29	-#	14.7N(1.5Kgf) 以下	-#
Fig 1 (終り)				
7.2 試験方法				
7.2.1 外 観				
<p>外観を目視および触覚により観察し, 有害な亀裂, 割損, 破損, がた, 部品のはずれ, 錆, 溶解および変形等の有無を確認する。</p>				
7.2.2 コンタクト又はコネクタ挿入力				
<p>コンタクト又はコネクタの一方を固定し, 他方を軸方向に毎分約 100 mm の一定速度で操作する。尚, ハウジングのロック機構のあるコネクタではこれを作用させないで行う。</p>				
7.2.3 コンタクト又はコネクタ引抜力				
<p>コンタクト又はコネクタの一方を固定し, 他方を軸方向に毎分約 100 mm の一定速度で操作する。尚, ハウジングのロック機構は作用させないで行う。</p>				
分類:	製品規格	標準の名称:	プリント基板用 マルチ・インターロック・コネクタ(MIC)マークII	標準のコード:
				108-5165
			改訂	1 頁
			B ↑	17 頁中

7.2.4 総合抵抗(ローレベル)

コンタクトまたはコネクタを嵌合した状態で、開放電圧 DC 50mV 以下、短絡電流 50mA 以下を通电し、圧着部より 75mm 離れた点で抵抗を測定する。

(Fig 2 の Y-Y' 間)

ローレベル抵抗は、Y-Y' 間の抵抗から 75mm の電線の抵抗分を差し引いて算出する。なお、測定は 1 極ずつ行うものとする。

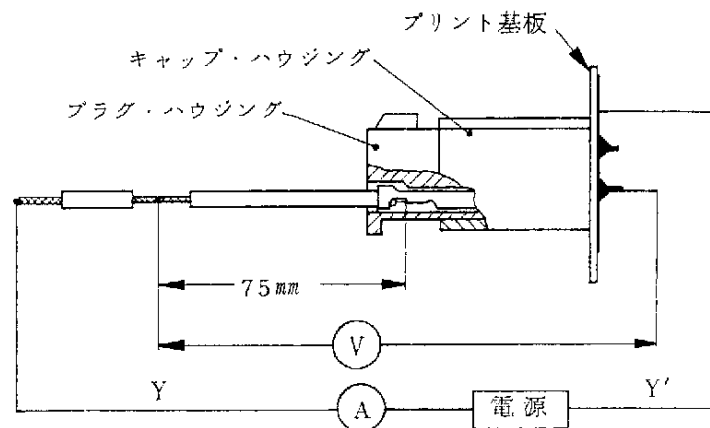
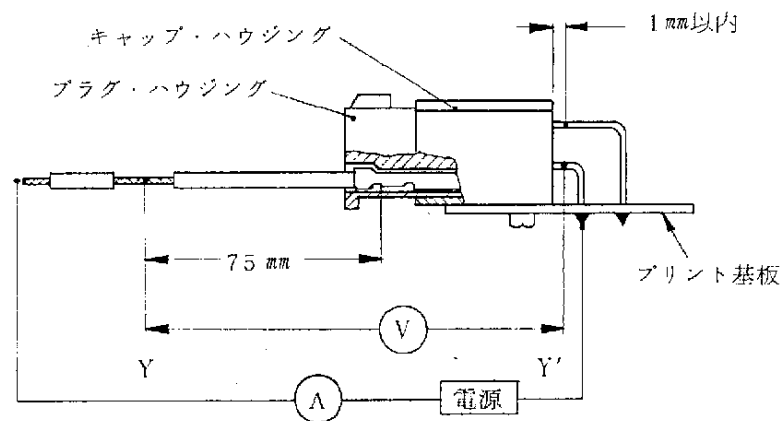
垂直型の場合水平型の場合

Fig 2

分類： 製品規格	標準の名称： プリント基板用 マルチ・インターロック・コネクタ(MIC)マークII	標準のコード： 108-5165	改訂 B	5 頁 17 頁中
-------------	---	---------------------	---------	--------------

7.2.5 総合抵抗(規定電流)

コンタクトまたはコネクタを嵌合した状態で、開放電圧 DC 12V、短絡電流 1 A を通電し、端子の温度が安定した後圧着部より 75 mm 離れた点で電圧降下を測定する (Fig 2 の Y-Y' 間)。

総合抵抗は Y-Y' 間の電圧降下から 75 mm の電線の電圧降下を差引いて算出する。なお、測定は 1 極ずつ行うものとする。

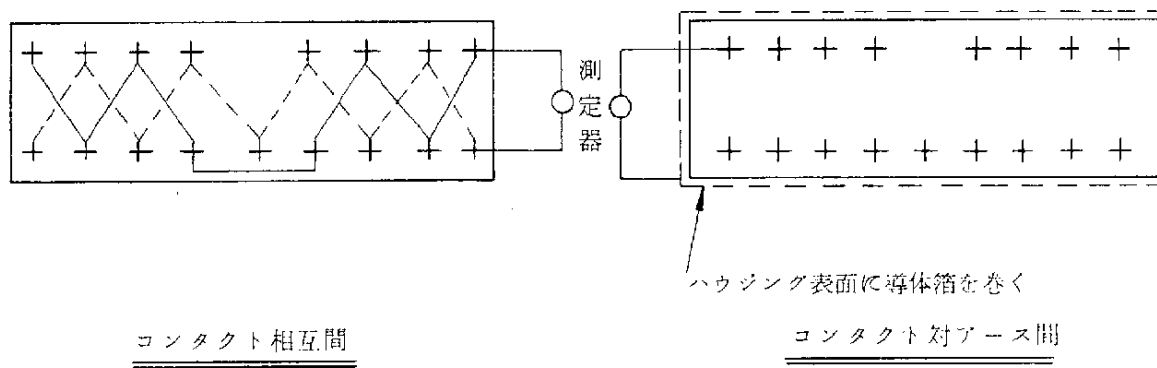
7.2.6 挿抜のフィーリング

コンタクトまたはコネクタの挿入、引抜きを手動にて行い、そのフィーリングを触感にて確認する。

7.2.7 絶縁抵抗

コネクタを嵌合した状態で Fig 3 の如く隣接するコンタクト相互間及びコンタクト対アース間を測定する。

なお、測定電圧は DC 500V とする。



コンタクト相互間

コンタクト対アース間

注： 導体箔は露出しているコンタクトから 5 mm 以上離すこと。

Fig 3

7.2.8 耐電圧

コネクタを嵌合した状態で Fig 3 の如く隣接するコンタクト相互間及びコンタクト対アース間に商用周波数の AC 1,800V を 1 分間印加する。

分類：	製品規格	標準の名称：	プリント基板用 マルチ・インナーロック・コネクタ (MIC) マーク II	標準のコード：	108-5165	改訂	6 頁
						B 1	17 頁中

7.2.9 リーク電流

コネクタを嵌合した状態で温度 $60 \pm 5^\circ\text{C}$ 、湿度 90~95% に保たれた恒温恒湿槽中に1時間放置した後、取り出して Fig 4 の如く隣接するコンタクト相互間に DC 12V を印加する。

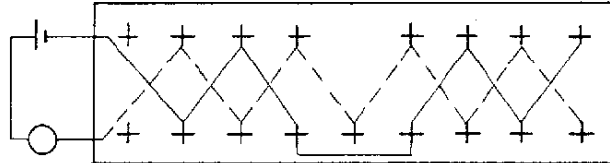


Fig 4

7.2.10 コンタクト保持力

ハウジングに約 100 mm の長さ、 0.85 mm^2 以上の断面積の電線を圧着したコンタクト又はロッキングプレートが組込まれたコネクタを固定し、電線を軸方向へ毎分約 100 mm の一定速度で引張りコンタクトがハウジングから抜けた時の荷重を測定する。

7.2.11 圧着部引張強度

約 100 mm の長さの電線を圧着したコンタクトを固定し、電線を軸方向に毎分約 100 mm の一定速度で引張り、電線の破断または圧着部から電線の引抜けた時の荷重を測定する。

7.2.12 ハウジング保持力

コネクタを嵌合し、ロック機構の作用した状態で一方を固定し、他方を軸方向に毎分約 100 mm の一定速度で引張り、ロック機構の外れまたは破損して嵌合の外れた時の荷重を測定する。

7.2.13 電流サイクル

コネクタを嵌合した状態で中心 4 極に Fig 5 から算出される電流を、他の回路にはその短の電流を通電する。通電 45 分間、休止 15 分間を 1 サイクルとして 200 サイクル行う。

なお、試験は無風状態で行う。

分類：	製品の規格	標準の名称：	プリント基板用 マルチ・インターロック・コネクタ(MIC)マークII	標準のコード：	108-5165	改訂	7 頁
						B 4	17 頁中

Fig 5

電線サイズ (mm ²)	電流値 (DC A)	極 数	減少係数
0.5	1.1	1	1
0.85	1.45	2~3	0.75
1.25	1.85	4~5	0.6
2	2.5	6~8	0.55
		9~12	0.5
		13以上	0.4

注： 通電電流は各電線サイズに対応する電流値と極数に対応する減少係数との積から算出される。

7.2.14 温度上昇

コネクタを嵌合した状態で Fig 5 から算出される電流を 2 時間通電し、ハウジング中央、表面部の温度を測定する。この測定された温度から室温を差引いた値が 65℃以下であるか確認を行う。

なお、試験は無風状態で行う。

7.2.15 繰り返し挿抜

コネクタの一方を固定し、他方を軸方向に毎分 100 mm の一定速度で操作して挿入、引抜きを 50 回行う。

7.2.16 耐こじり性

コネクタを引抜時に Fig 6 の如くコネクタの一方を固定し、他方を 1 mm 間隔でコンタクト同志の嵌合がはずれるまで引抜きながら、各段階で前後方向に 1 往復、196.1 N.cm (20Kgf.cm) (T) のトルクを加える。これを 1 サイクルとして 50 サイクル行う。次に、左右方向も同様に 1 往復 196.1 N.cm (20Kgf.cm) (T) のトルクを加える。これを 1 サイクルとして 50 サイクル行う。

分類： 製品規格	標準の名称： プリント基板用 マルチ・インターロック・コネクタ(MIC)マークII	標準のコード： 108-5165	改訂 B1	8 頁 17 頁中
-------------	---	---------------------	----------	--------------

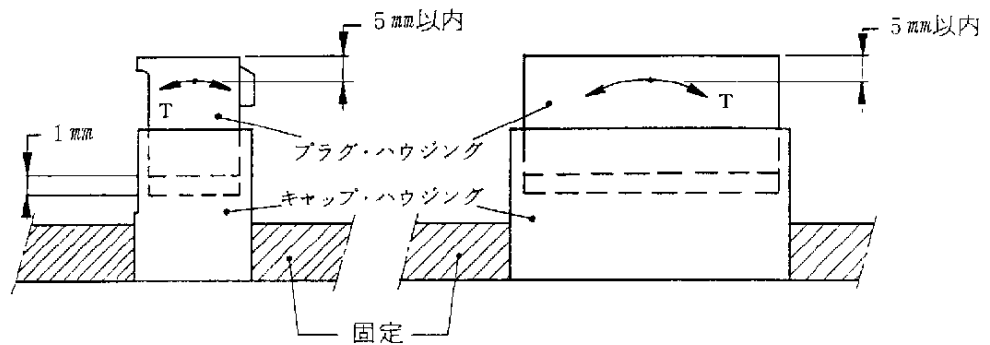


Fig 6

7.2.17 耐熱性

コネクタを嵌合した状態で100℃に保たれた恒温槽に2時間放置し、その後取り出して常温に戻るまで放置する。

7.2.18 耐寒性

コネクタを嵌合した状態で-50℃に保たれた恒温槽に2時間放置し、その後取り出して常温に戻るまで放置する。

7.2.19 熱衝撃

コネクタを嵌合した状態でFig 7に示す試験を1サイクルとして、これを5サイクル行った後、室温に戻るまで放置する。

試験順序	試験方法
1	80±5℃ 2時間
2	室温, 5分以内
3	-30±5℃ 2時間
4	室温, 5分以内

Fig 7

7.2.20 耐湿性（定常状態）

コネクタを嵌合し、Fig 4 の如く接続、DC 28V を印加した状態で温度 $60 \pm 5^\circ\text{C}$ 湿度 90~95% に保たれた恒温恒湿槽中に 48 時間放置した後取り出して、常温に戻るまで放置する。

7.2.21 塩水噴霧

コネクタを嵌合した状態で、JIS C 5028 に基づいて 5% の塩水を 24 時間噴霧、1 時間休止、24 時間噴霧し、塩の堆積物を水洗した後、1 時間常温にて乾燥する。

7.2.22 耐油性

コネクタを嵌合した状態で $50 \pm 2^\circ\text{C}$ に保たれた Fig 8 の油中に浸漬する。

種 類	浸漬時間	浸漬順序
トルコンオイル	1 時間	①
トランスミッションオイル	"	③
エンジンオイル	"	⑤
クラッチオイル	"	⑦
ブレーキオイル	"	⑨
白 灯 油	5 分	② ④ ⑥ ⑧ ⑩

Fig 8

7.2.23 耐塵性

縦、横、高さがそれぞれ 900~1200 mm の密閉タンク内にコネクタを嵌合した状態で、Fig 9 の如く吊し、ボルトランドセメント（JIS R 5210）1.5 Kgf を 15 分毎に 10 秒間圧縮空気を噴射、ファン等で一様に拡散させ、これを 1 時間行った後密閉タンク内から取り出す。

分類： 製品規格	標準の名称：	プリント基板用 マルチ・インターロック・コネクタ(MIC)マークII	標準のコード：	108-5165	改訂	10 頁
					B1	17 頁中

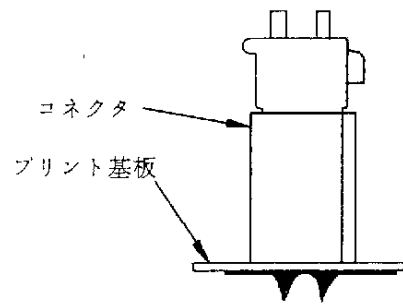


Fig 9

7.2.24 アイシング

嵌合したコネクタを沸騰した水に1時間浸漬した後、直ちに $-30 \pm 5^\circ\text{C}$ の恒温槽に入れ、付着した水が氷結するまで放置する。その後取り出して、氷が融解するまで放置する。

7.2.25 亜硫酸ガス性

コネクタを嵌合した状態で濃度10 PPM、湿度90%以上、常温の亜硫酸ガス中に24時間放置した後取り出す。

7.2.26 高周波振動

コネクタを嵌合、全極直列に接続し、開放電圧DC12V、短絡電流0.1Aを通電した状態でFig 10の如く、振動試験機に取付ける。振動加速度は 44 m/s^2 (4.5G)、振動周波数は20~200 Hzを往復1分間でスイープさせる。これを8時間行い、1 msec以上の瞬断の有無を観察する。

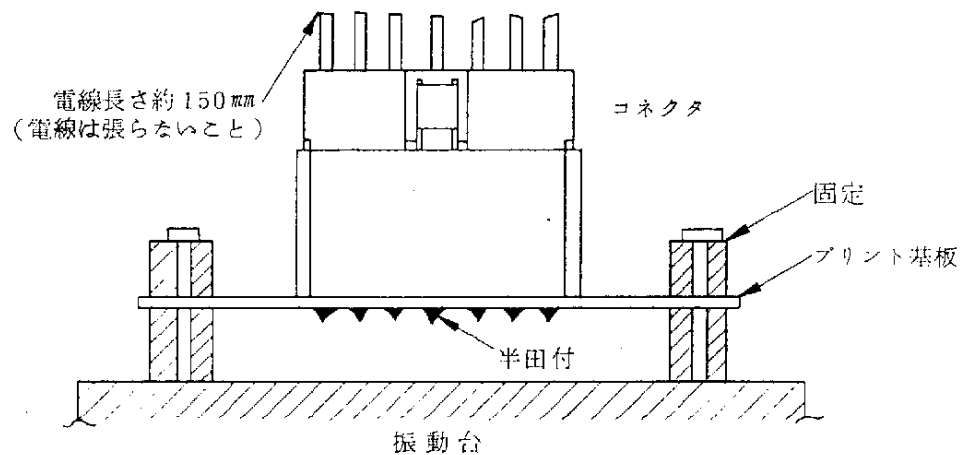


Fig 10

分類： 製品規格	標準の名称： プリント基板用 マルチ・インターロック・コネクタ(MIC)マークII	標準のコード： 108-5165	改訂 B ↑	11頁 17頁中
-------------	---	---------------------	-----------	-------------

7.2.27 耐衝撃性

コネクタを嵌合，全極直列に接続し，開放電圧 DC 12V，短絡電流 0.1A を通電した状態で，Fig 10 の如く SAE J 577 による試験装置に取付け，振動数 750 Hz，カム落下 3.2 mm，衝撃台の端でのスプリング張力 264.8-313.8N(27-32Kgf) で 1 時間行い，1 msec 以上の瞬断の有無を確認する。

7.2.28 過電流耐力

コネクタを嵌合した状態で水平に保ち，任意の 1 極に Fig 11 の電流を 1 分間通電し，ハウジングへの着火の有無を観察する。

電線サイズ (mm ²)	通電電流 (DC-A)
0.5	50
0.85	75
1.25	100
2	200

Fig 11

7.2.29 コンタクト装着力

電線を圧着したコンタクトをハウジングに装着し，ランスが引掛るまでの力を装着力として測定する。

力は電線の軸方向へ毎分約 100 mm の一定速度で加えるものとする。

8. 品質保証条件

8.1 試験条件

特に指定のない場合は下記に示す環境条件のもとで性能試験を行うものとする。

温 度	15 ~ 35 °C
相対湿度	45 ~ 75 %
気 圧	86.7 ~ 107 K Pa (650 ~ 800mmHg)

8.2 試 験

8.2.1 試 料

性能試験に用いる試料は、Fig 14 に示す電線に「マルチ・インターロック・コネクタ (MIC) マークⅡ・コンタクトの圧着条件 114-5071」に基づいて圧着した正規の試料であること。いずれの試料も規定された順序以外の他の試験に用いてはならない。

8.2.2 試料数

性能試験に用いる試料数は各グループ毎に、コンタクト単体の場合 10 セット、コネクタの場合 2 セット以上で行うものとする。

8.2.3 プリント基板

性能試験に使用するプリント基板は、Fig 13 に示す寸法のものを使用するものとする。

分類： 部品規格	標準の名称： プリント基板用 マルチ・インターロック・コネクタ (MIC) マークⅡ	標準のコード： 108-5165	改訂： 14 頁 B / 17 頁中
-------------	--	---------------------	--------------------------

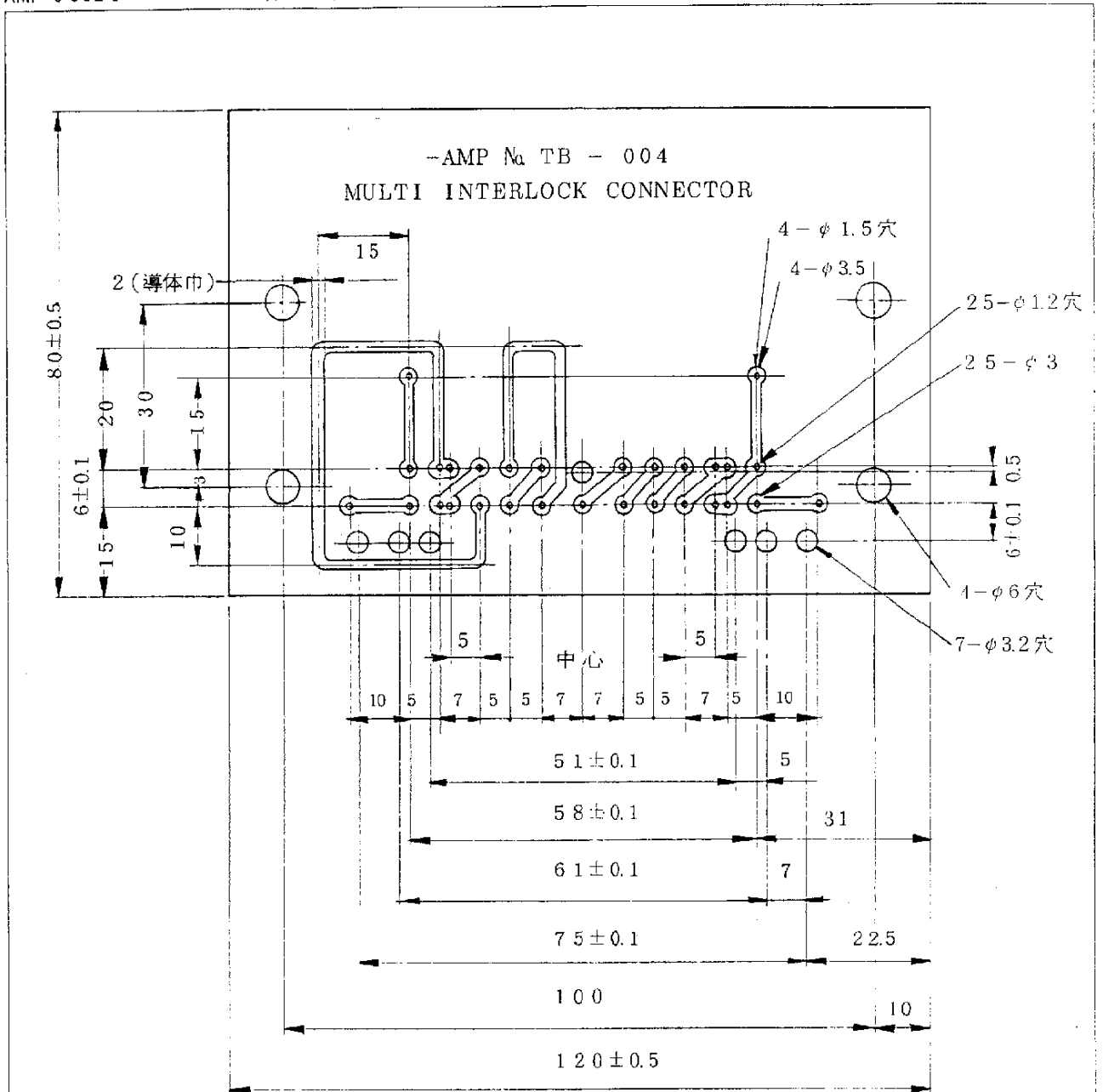


Fig 13

〔注〕：

1. 材 質； 紙フェノール， 70μ 厚，片面銅箔付基板
板厚 1.6 ± 0.15 ，材質；XPC (NEMA 規格)
2. ピッチ公差； ± 0.1 ，公差は累積されないこと。
3. 指示なき公差は ± 0.2
4. 仕 上； 錫めつき，フラックス塗布のこと。
5. 単 位； mm

分類：	標準の名称：	標準のコード：	改訂	15 頁
製品規格	プリント基板用 マルチ・インターロック・コネクタ (MIC) マーク II	108-5165	B	17 頁中

8.2.4 使用電線

性能試験に用いる電線は、Fig 14 に示す電線にて行うものとする。

電線サイズ		素線構成		断面積	
呼び (mm ²)	AWG	素線径 (mm)	素線数	mm ²	CMA
0.3	#22	0.18	12	0.31	602
0.3	#22	0.26	7	0.37	733
0.5	#20	0.32	7	0.56	1111
0.85	#18	0.32	11	0.88	1746
1.25	#16	0.32	16	1.28	2540
2	#14	0.32	26	2.09	4128

Fig 14

9. 取扱い上の注意事項

9.1 圧着及び取扱い

ハウジングとコンタクトの保持性能及びコネクタの接触性能を維持する為、コンタクトとの圧着は、「マルチ・インターロック・コネクタ(MIC)マークII」コンタクト圧着条件「114-5071」の規定に基づいて作業を行うこと。

9.2 キャップ・ハウジングのはんだ付け作業

キャップハウジングをプリント基板へ取付ける時は、JIS B1115 M3, 1種のタッピンネジを用いた後のはんだ付けすること。また、はんだ付け作業は、はんだ付け性能を維持する為当社出荷後6ヶ月以内に行うこと。

9.3 ハーネス作業上

コネクタ同志の嵌合性能及び諸性能を維持する為、電線のテーピングは、Fig 15の範囲にとどめること。電線を強く引張ったり、急に曲げるような配線はしないこと。

分類： 製品規格	標準の名称： プリント基板用 マルチ・インターロック・コネクタ(MIC)マークII	標準のコード： 108-5165	改訂 B1	16頁 17頁中
-------------	---	---------------------	----------	-------------

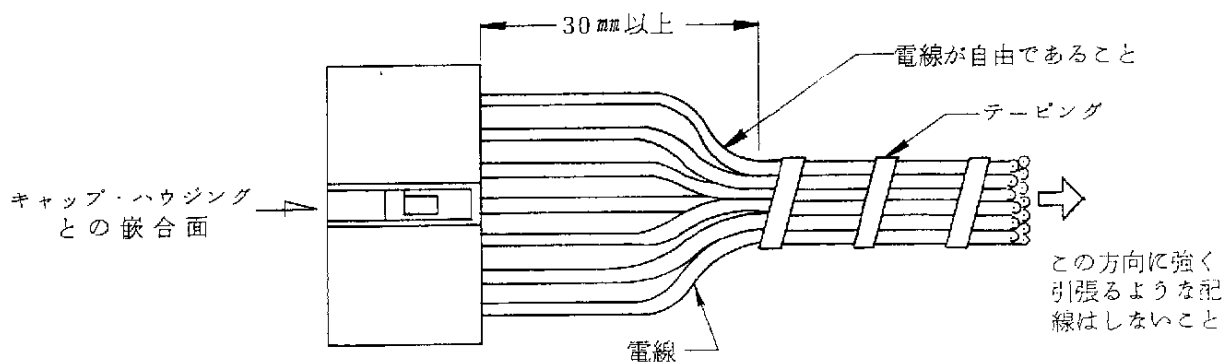


Fig 15

9.4 工 具

コンタクトの圧着及びハウジングからコンタクトを引き抜く場合はAMP指定の引抜工具を使用すること。

10. 参考規格

JASO D605-74 (7002)	：	「自動車用多極コネクタ」
JASO 7101	：	「プラスチック成形部品の試験方法」
JIS C 3406	：	「自動車用低圧電線」
JIS D 0203	：	「自動車部品の耐湿および耐水試験方法」
JIS D 0204	：	「自動車部品の高温および低温試験方法」
JIS D 1601	：	「自動車部品振動試験方法」
JIS R 5210	：	「ボルトランドセメント」
114-5071	：	「マルチ・インターロック・コネクタ(MIC)マークIIコンタクト圧着条件」
JIS C 5028	：	「電子機器用部品の塩水噴霧試験方法」
MIL-STD-202 試験法 208	：	「はんだ付け法」
JIS D 5500	：	「自動車用ランプ類」

分類： 部品規格	標準の名称： プリント基板用 マルチ・インターロック・コネクタ(MIC)マークII	標準のコード： 108-5165	改訂 B /	17 頁 17 頁中
-------------	---	---------------------	-----------	---------------