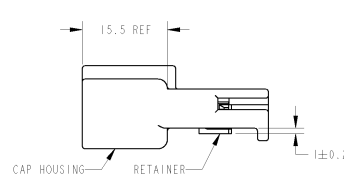
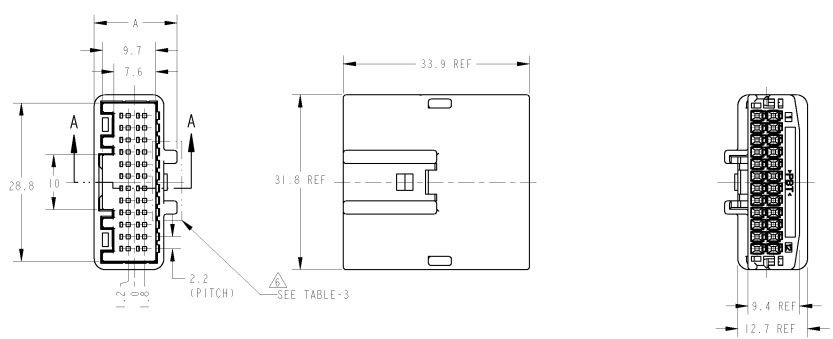


THIS DRAWING IS UNPUBLISHED. RELEASED FOR PUBLICATION  
 (C) COPYRIGHT BY TICO ELECTRONICS CORPORATION. ALL RIGHTS RESERVED.

REV. NO.	DATE	BY	CHK	DESCRIPTION
0	FJAO-1822-01	12APR2002	N.Y.	RELEASED
A	FJAO-9565-02	12APR2002	D.N.	REVISED
B	FJAO-0085-03	10MAR2003	D.N.	REVISED
B1	ECR-05-000898	20MAR05	D.N.	REVISED



1. RETAINER MUST BE SET TO THE PRE-ASSEMBLY POSITION WITHIN THE CAP HOUSING WHEN SHIPPED TO THE CUSTOMER.
  2. RETAINER MUST BE OUT SIDE OF CAP HOUSING AT PRE-ASSEMBLY
  3. INSTRUCTION SHEET NO.: 411-78011
  4. PART NUMBER OF PLUG HOUSING TO BE MATED: SEE TABLE-1
  5. APPLICABLE TERMINAL: TABLE-2
- △ PANEL LOCK VARIATIONS; REFER TO TABLE-3
1. リテーナはキャップ・ハウジング内側へは出掛される。
  2. 出荷仕様、リテーナはハウジングの外側に出ていること。
  3. 取扱説明書NO.: 411-78011
  4. 対応部品番号: TABLE-1参照
  5. 適用端子: TABLE-2参照
- △ 本製品は2種類の内装形状があるTABLE-3参照

TABLE-3 △

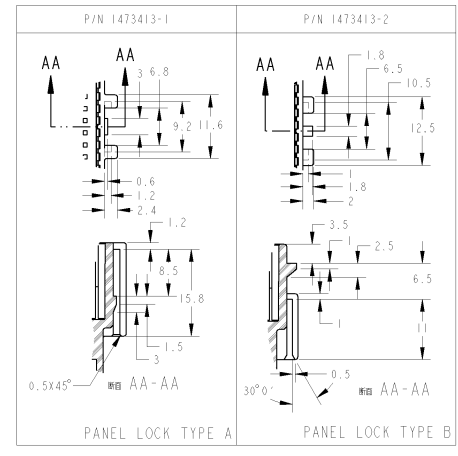


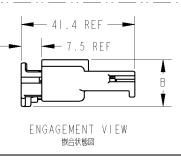
TABLE-1

POS	TERMINATION TYPE	PLUG ASSEMBLY PART NO.
24	CRIMP	1318917

TABLE-2

TYPE	FINISH	APPLICABLE TERMINAL P/N	APPLICABLE WIRE RANGE
SIGNAL	TIN	1674742-1	AVSS/CAVS/CAVUS/AVSSH-f 0.3-0.5mm <sup>2</sup>

PART NO	DIMENSION A	DIMENSION B
1473413-2	14.7 REF	16.6 REF
1473413-1	15.1 REF	17.0 REF



PAPER BOX	PLASTIC BAG	TYPE B	NATURAL	1473413-2
PAPER BOX	PLASTIC BAG	TYPE A	NATURAL	1473413-1
OUTER 外装	INNER 内装	PANEL LOCK TYPE		PART NUMBER

SIGNATURE: 田中 隆		DATE: 29AUG2001	TICO ELECTRONICS AMP R.N. Kawasaki, Japan	
DESIGNER: 田中 隆		DATE: 29AUG2001	025 G CONNECTOR 24POSITION CAP HOUSING ASSEMBLY	
MATERIAL: PBT		WEIGHT: 5.9g	SIZE: A2100779	REV: B1