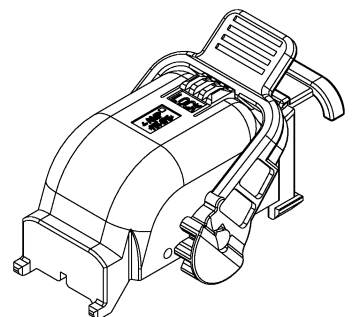


STANDARD LEVER TYPE



LONG LEVER TYPE

REV	DATE	BY	CHK	DESCRIPTION
0	100201	T.W.	N.S.	RELEASED
01	09MAR05	S.Y.	Y.F.	ADD *2" SLIT TYPE
1	07MAY07	T.J.	Y.F.	ADD LONG LEVER TYPE

TYPE	SLIT TYPE	NO SLIT TYPE
P/N	1473255-1	1473255-2,-3

TYPE	STANDARD LEVER TYPE	LONG LEVER TYPE
P/N	1473255-1,-2	1473255-3

- PART NUMBER OF PLUG HOUSING ASSEMBLY TO BE APPLIED ; SEE PRODUCT SPEC.
- INSTRUCTION SHEET NO ; 411-78008 / 411-78142

1	-	-	LEVER (LONG TYPE)	WHITE	2
-	1	1	LEVER (STANDARD TYPE)	BLACK	
1	1	-	HARNESS COVER (NO SLIT)	BLACK	1
-	-	1	HARNESS COVER (SLIT)	BLACK	
-3	-2	-1	PART NAME	FINISH/COLOR	NO

DIMENSIONS: (mm)		OPERATOR: Y. FUJIMURA	DATE: 07JUN07	CHK: Y. NAGUCHI	DATE: 07JUN07	DRW: T. IJANG	DATE: 07JUN07
MATERIAL: PBT		FINISH: SEE TABLE	WEIGHT: 10.7g	CUSTOMER DRAWING		Tyco Electronics Corporation, Kawasaki, Japan	
APPLICATION SPEC: 114-18021, 114-18055				PRODUCT SPEC: 108-5793, 108-5977			
SIZE: A2				SCALE: 2:1			
SHEET: 1				REV: A			