

4

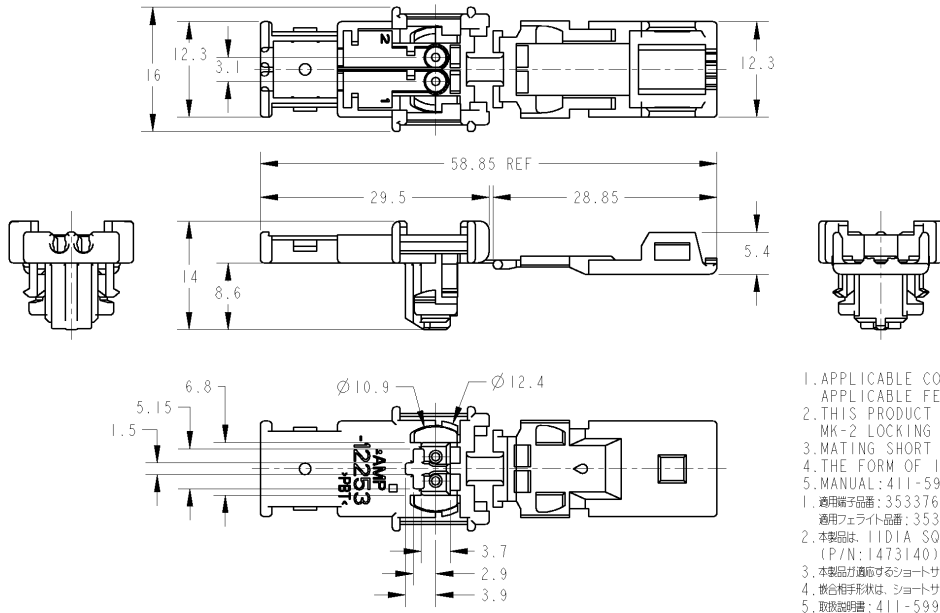
3

2

1

THIS DRAWING IS UNPUBLISHED. RELEASED FOR PUBLICATION 2001
 © COPYRIGHT 2001 BY TYCO ELECTRONICS CORPORATION. ALL RIGHTS RESERVED.

LOC	DIST	REVISIONS						
J	-	P	LTR	DESCRIPTION	ECN	DATE	DWN	APVD
		Q		RELEASED	FJ00-1142-01	25MAY2001	T.H	N.S
		A		REVISED	FJ00-2452-01	18OCT2001	R.N	N.S
		B		REVISED	FJA0-0449-04	02JUL2004	T.H	H.Y
		BI		REVISED	ECR-05-018855	26DEC2005	Y.S	T.H



1. APPLICABLE CONTACT P/N: 353376, 1612124
2. APPLICABLE FERRITE P/N: 353379
3. THIS PRODUCT SHOULD BE USED WITH THE I1DIA SQUIB CONNECTOR MK-2 LOCKING BUTTON (P/N: 1473140).
4. MATING SHORT CIRCUIT RING PART NUMBER: 699638, 1376766, 1473369.
5. THE FORM OF INTERFACE, SEE THE DRAWING OF SHORT CIRCUIT RING.
6. MANUAL: 411-5994
7. 適用端子品番: 353376, 1612124
8. 適用フェライト品番: 353379
9. 本製品は、I1DIA SQUIB CONNECTOR MK-2 LOCKING BUTTON (P/N: 1473140) を装着して使用する。
10. 本製品が適用するショートサーキットリング品番は、699638, 1376766, 1473369
11. 嵌合相手形状は、ショートサーキットリング図面を参照のこと。
12. 取扱説明書: 411-5994

YELLOW	1473139-1
COLOR	PART NUMBER

<small>THIS DRAWING IS A CONTROLLED DOCUMENT FOR TYCO ELECTRONICS CORPORATION IT IS SUBJECT TO CHANGE AND THE CONTROLLING ENGINEERING DEPARTMENT SHOULD BE CONTACTED FOR THE LATEST REVISION.</small>		DWN 25MAY2001 T. HAYASHI CHK N.SAI 25MAY2001 APVD N.SAI 25MAY2001	tyco Electronics Tyco Electronics AMP K.K. Kawasaki, Japan
DIMENSIONS: 単位: ㎜ mm	TOLERANCES UNLESS OTHERWISE SPECIFIED: ±0.2 0-PLC ±0.1 1-PLC ±0.1 2-PLC ±0.01 3-PLC ±0.001 4-PLC ±0.0001 ANGLES ±0.0001 FINISH 黄色	PRODUCT SPEC 部品規格 108-5679, 5315 APPLICATION SPEC 部品規格 114-5234	NAME 名称 I1DIA SQUIB CONNECTOR MK-2 PLUG HOUSING
MATERIAL PBT	WEIGHT 1.7g	SIZE A3	CAGE CODE 00779
CUSTOMER DRAWING		DRAWING NO 1473139	RESTRICTED TO -
		SCALE 1:1	SHEET 1 OF 1

AMP 1470-19 REV 31MAR2000