

4

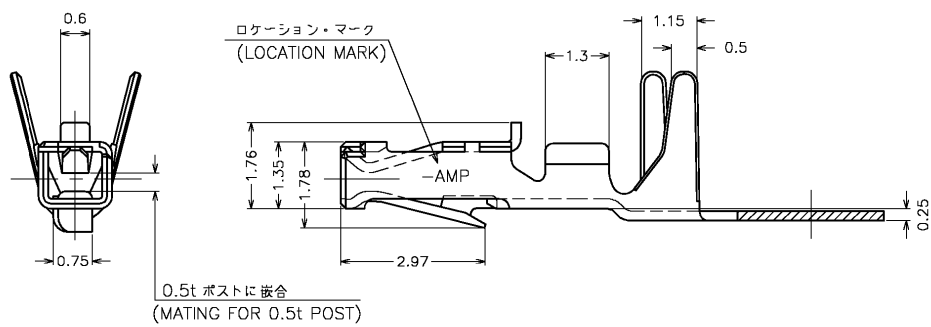
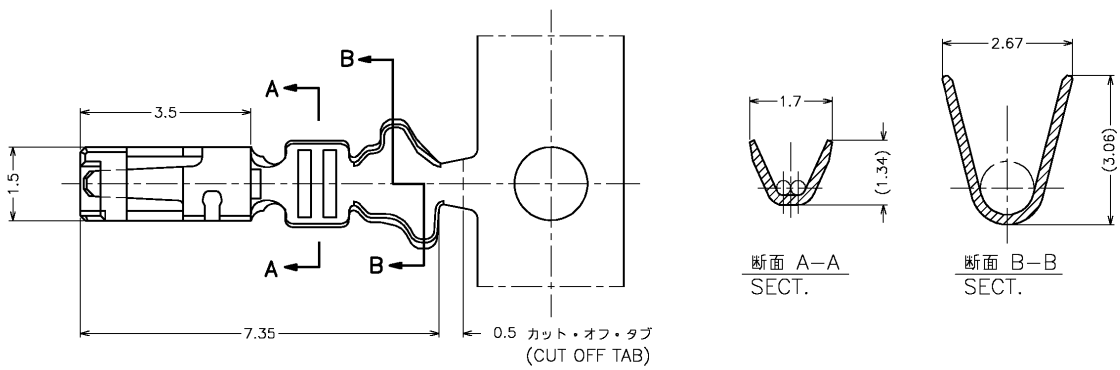
3

2

1

THIS DRAWING IS UNPUBLISHED. RELEASED FOR PUBLICATION AUG 29 .  
 © COPYRIGHT 2000 BY TYCO ELECTRONICS CORPORATION. ALL RIGHTS RESERVED.

LOC		DIST		REVISIONS			
J				変更			
P	LTR	DESCRIPTION		DATE	DWN	APVD	
0		作成 (RELEASED)		FJ00-0200-01	29.AUG.'00	M.S	Y.K



1376174-1		型番 (P/N)	
WIRE RANGE 総合電線断面積	AWG#28-#24 0.086~0.14 SQmm	INSULATION DIA 被覆外径	0.9~1.7 mm
<b>AMP</b>		Tyco Electronics AMP K.K. Kawasaki, Japan	
NAME 名称		BACK LIGHT CONN.REC.CONT. M-TYPE バックライト・コネクタ リセ・コンタクト M-タイプ	
SIZE	A3	CAGE CODE	00779
DRAWING NO 番号	1376174		
CUSTOMER DRAWING		SCALE 尺度	12:1
		SHEET	1 OF 1
		REV	0

THIS DRAWING IS A CONTROLLED DOCUMENT.		DWN	M.SUZUKI	29.AUG.'00
DIMENSIONS: 単位: 特		CHK	Y.KASHIWA	29.AUG.'00
MM		APVD	Y.KASHIWA	29.AUG.'00
TOLERANCES UNLESS OTHERWISE SPECIFIED: 一般公差		PRODUCT SPEC	108-5706	
0 PL/2	± 0.2	APPLICATION SPEC	114-5294	
1 P/C	±			
2 P/C	±			
3 P/C	±			
4 P/LA	± 3°			
ANGLES	± 3°			
MATERIAL 材料	錫めっき済み焼青銅 (PRE-TIN PHOS BRO)	FINISH 仕上		