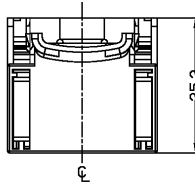
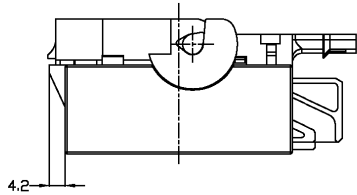
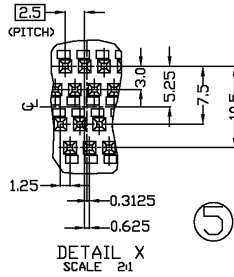
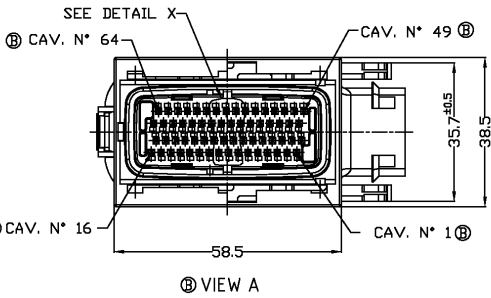
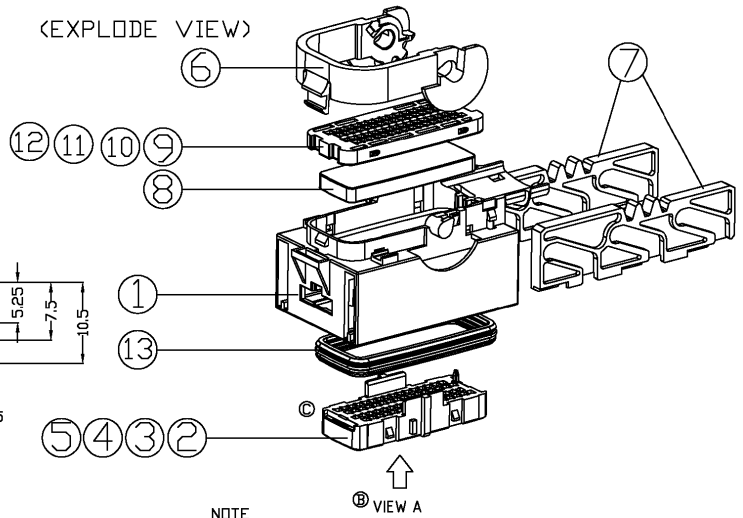


THIS DRAWING IS UNPUBLISHED. RELEASED FOR PUBLICATION  
 © COPYRIGHT BY TYCO ELECTRONICS CORPORATION, ALL RIGHTS RESERVED.

LDC		DIST		REVISIONS			
P	LYR	DESCRIPTION	DATE	BY	APV	CS	
0		RELEASED ECN(FC00-0078-00)	14/JUN/00	JW	BM		
A		RELEASED ECN(FC00-0110-01)	15/OCT/01	JW	CS		
B		RELEASED ECN(FC00-0160-04)	15/JUL/04	JG	CS		
C		RELEASED ECN(FC00-0031-05)	28/JAN/05	BH	CS		



(EXPLODE VIEW)



NOTE  
 1. APPLICABLE TAB CONTACT P/N/

PART NO.	DESCRIPTION	WIRE SIZE (mm <sup>2</sup> )
928999-1	MICRO QUADLOK SYSTEM REC TML (SOCKET CONTACT)	0.2 - 0.5
963715-1	MICRO QUADLOK SYSTEM REC TML (SOCKET CONTACT)	0.75

- 2. APPLICABLE COVER HSG P/N/ 368441-1
- 3. APPLICABLE RETAINER HSG (MQS) P/N/ 368440-1 (P/N -1 AS SHOWN)

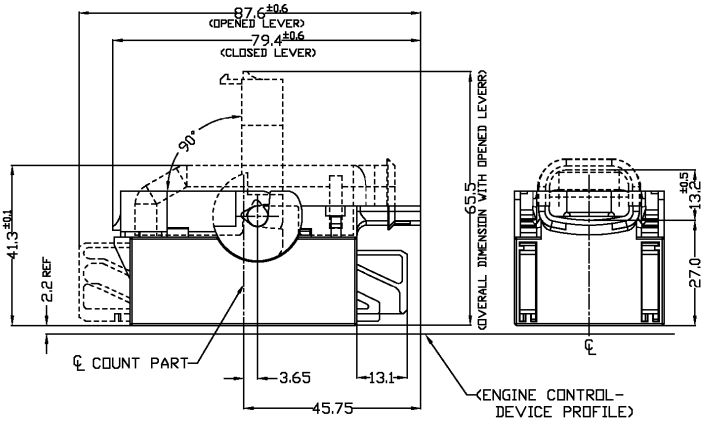
ASS'Y P/N	GRAPHICAL REPRESENTATION MATING SIDE -- KEY CODE I & M	ASS'Y P/N	GRAPHICAL REPRESENTATION MATING SIDE -- KEY CODE B & K
0-368434-1	BLACK CAV. 49 18.5 CAV. 64 CAV. 16 CAV. 1	GRAY CAV. 49 4.5 CAV. 64 CAV. 16 CAV. 1	
0-368434-2	BLUE CAV. 49 18.5 CAV. 64 CAV. 16 CAV. 1	BROWN CAV. 49 4.5 CAV. 64 CAV. 16 CAV. 1	

DIMENSIONS: mm		TOLERANCES UNLESS OTHERWISE SPECIFIED: 0 XXXX ± 0.2 10 XXXX ± 0.25 30 XXX ± 0.3 ANGLES ± 3°		DWN BH JIN CHK : BH JANG		<b>tyco</b> Electronics		AMP KOREA, kyungsan, korea	
3rd ANGLE PROJECTION		FINISH		APVD: CS LEE		NAME		64 POSITION FEMALE CONNECTOR ASS'Y	
MATERIAL		SEE TABLE		APPLICATION SPEC		SIZE		RESTRICTED TO	
SEE TABLE		SEE TABLE		WEIGHT		CAGE CODE		DRAWING NO	
						A3 00779		3 6 8 4 3 4	
						SCALE		SHEET	
						1 : 1		1 OF 2	
								REV C	

THIS DRAWING IS UNPUBLISHED. RELEASED FOR PUBLICATION  
 © COPYRIGHT BY TYCO ELECTRONICS CORPORATION, ALL RIGHTS RESERVED.

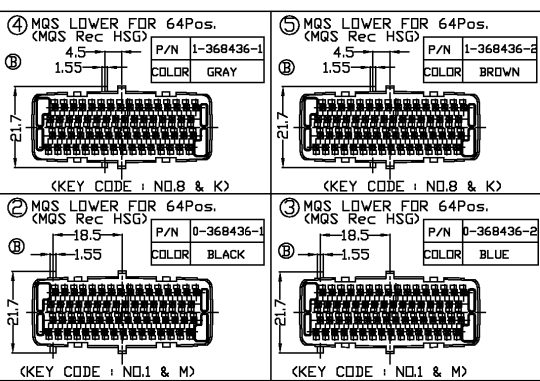
LDC		DIST		REVISIONS				
P	LYR	DESCRIPTION	DATE	BY	APVD			
		SEE SHEET(1of2)						

<CONNECTOR MATED WITH CONTERPART VIEWS>



REFER TO SHEET 1

ITEM	DESCRIPTION	PART NO.	MATERIAL	COLOR	ASSY P/N			
					1-368434-2	1-368434-1	0-368434-2	0-368434-1
13	INNER SEAL FOR 64Pos.	0-368937-1	SILICON	ORANGE	1	1	1	1
12	GEL GROMMET RETAINER HSG FOR 64Pos	1-368439-2	PBT - GF15	BROWN	1			
11	GEL GROMMET RETAINER HSG FOR 64Pos	1-368439-1	PBT - GF15	GRAY		1		
10	GEL GROMMET RETAINER HSG FOR 64Pos	0-368439-2	PBT - GF15	BLUE			1	
9	GEL GROMMET RETAINER HSG FOR 64Pos	0-368439-1	PBT - GF15	BLACK				1
8	GEL GROMMET SEAL FOR 64Pos.	0-368936-1	GEL	BLUE	1	1	1	1
7	SLIDE HSG FOR 64Pos.	0-368438-1	PBT - GF35	GRAY	2	2	2	2
6	LEVER HSG FOR 64Pos.	0-368437-1	PBT - GF35	BLACK	1	1	1	1
5	MQS LOWER FOR 64Pos. (MGS Rec HSG) (KEY CODE : NO.8 & K)	1-368436-2	PBT - GF20	BROWN	1			
4	MQS LOWER FOR 64Pos. (MGS Rec HSG) (KEY CODE : NO.8 & K)	1-368436-1	PBT - GF20	GRAY		1		
3	MQS LOWER FOR 64Pos. (MGS Rec HSG) (KEY CODE : NO.1 & H)	0-368436-2	PBT - GF20	BLUE			1	
2	MQS LOWER FOR 64Pos. (MGS Rec HSG) (KEY CODE : NO.1 & M)	0-368436-1	PBT - GF20	BLACK				1
1	MQS BODY UPPER FOR 64Pos. (UPPER HALF)	0-368435-1	PBT - GF15	BLACK	1	1	1	1



DIMENSIONS: mm		TOLERANCES UNLESS OTHERWISE SPECIFIED:		DWN		tyco		AMP KOREA, kyungsan, korea	
3rd ANGLE PROJECTION		MATERIAL		CHK		NAME		64 POSITION FEMALE CONNECTOR ASS'y	
SEE TABLE		FINISH		APVD		SIZE		RESTRICTED TO	
				SEE SHEET(1of2)		CAGE CODE		SCALE 1 : 1	
						DRAWING NO		SHEET 2 OF 2	
						A3 00779		REV C	
						3 6 8 4 3 4			