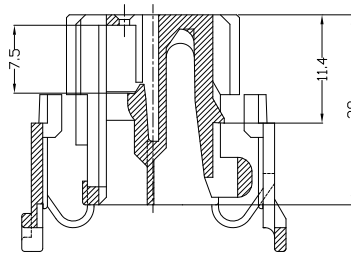
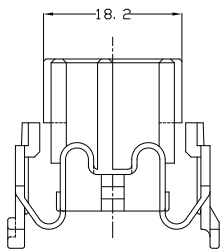
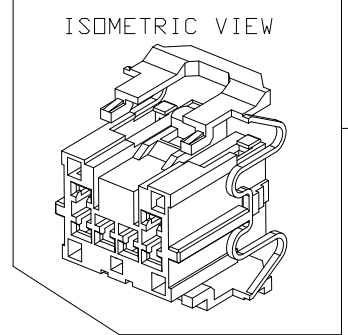
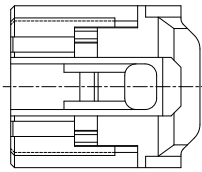
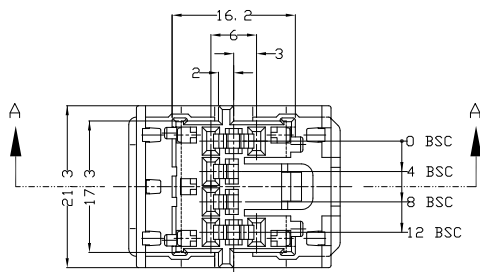


THIS DRAWING IS UNPUBLISHED. RELEASED FOR PUBLICATION
 © COPYRIGHT BY TYCO ELECTRONICS CORPORATION ALL RIGHTS RESERVED.

LOC	DIST	REVISIONS			
P	LTR	DESCRIPTION	DATE	DWN	APVD
B		REVISED ECN (FC00-0129-01)	22.NOV.'01	JW	CS
B1		REVISED (ECR-08-030171)	05.DEC.'08	KT	HG



SECTION A-A
(SCALE: 2.5/1)

NOTES.

1. TO BE MATED WITH CAP HSG SMOOTHLY.
2. APPLIED CONTACT P/N ; 368083/368084/368085
3. APPLIED CAP HSG P/N ; 1-368173-1

BROWN	PBT	1-368174-4
NATURAL	PBT	1-368174-1
COLOR	MATERIAL	P/N

<small>THIS DRAWING IS A CONTROLLED DOCUMENT FOR TYCO ELECTRONICS CORPORATION IT IS SUBJECT TO CHANGE AND THE CONTROLLING ENGINEERING ORGANIZATION SHOULD BE CONTACTED FOR THE LATEST REVISIONS.</small>		DWN KT_JUNG CHK JW_JUNG APVD HG_OHD PRODUCT SPEC - APPLICATION SPEC - WEIGHT - CUSTOMER DRAWING
DIMENSIONS: MM 	TOLERANCES UNLESS OTHERWISE SPECIFIED: 0 <XX<10 ± 0.2 10<XX<30 ± 0.25 30<XX ± 0.3 ANGLES ± 3°	MATERIAL SEE TABLE FINISH

AMP KOREA. Kyungsan, Korea		NAME .090 MLC 6P PLUG HSG SIZE CAGE CODE DRAWING NO A3 00779 C=368174 RESTRICTED TO - SCALE 2/1 SHEET 1 OF 1 REV B1
-------------------------------	--	---