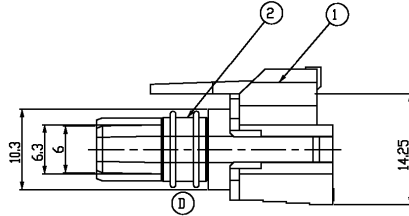
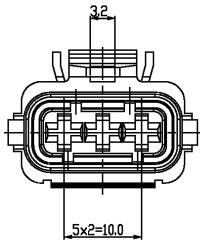
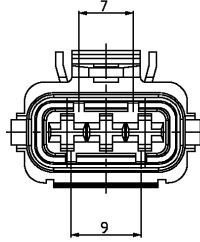
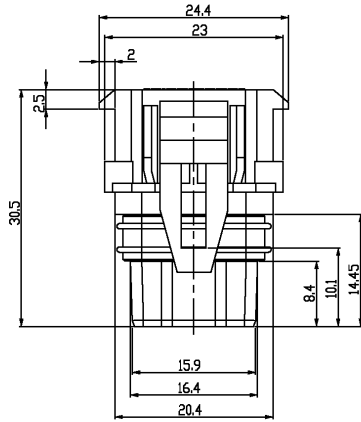


THIS DRAWING IS UNPUBLISHED. RELEASED FOR PUBLICATION
 © COPYRIGHT BY TYCO ELECTRONICS CORPORATION. ALL RIGHTS RESERVED.

| LDC | DIST | REVISIONS | | | | | |
|-----|------|-----------|-----|-------------------------|---------|-----|------|
| DS | | P | LTR | DESCRIPTION | DATE | DWN | APVD |
| | | A | | REVISED(RD97-044) | 03SEP97 | YJ | JK |
| | | B | | REVISED (FC00-0086-04) | 28MAY04 | YJ | JK |
| | | C | | REVISED (ECR-06-005229) | 03MAR06 | GC | JK |
| | | D | | REVISED(ECR-07-011015) | 11MAY07 | IS | JK |



NOTE
 1.APPLICABLE PRODUCT SPEC: 108-61025
 2.APPLICABLE CONTACT P/N

| | P/N | DESCRIPTION | WIRE SIZE |
|-----|----------|-------------|------------------------|
| TML | 929941 | JPT CONTACT | 0.3mm ² |
| | 929939 | JPT CONTACT | 0.5-1.0mm ² |
| | 929937 | JPT CONTACT | 1.0-2.5mm ² |
| | 927772-3 | JPT CONTACT | 0.3mm ² |
| | 927770-3 | JPT CONTACT | 0.5-1.0mm ² |
| | 927766-3 | JPT CONTACT | 1.0-2.5mm ² |

| | | | | | |
|----|--------|-----------|-----------------|------------|------|
| 2 | ORANGE | SILICONE | INNER SEAL | 0-368839-1 | 1 |
| 1 | BLACK | PA66-GF15 | JPT 3P PLUG HSG | 0-368129-1 | 1 |
| NO | COLOR | MATERIAL | DESCRIPTION | P/N | Q'TY |

0-368161-1
 ASSY P/N

THE BUYER OF A CONTROLLED PRODUCT FOR THE ELECTRONICS INDUSTRY
 IS SUBJECT TO CHANGE AND THE CONTROLLING ELECTRONICS ORGANIZATION
 SHOULD BE CONTACTED FOR THE LATEST REVISION.

| DIMENSIONS: | TOLERANCES UNLESS OTHERWISE SPECIFIED |
|-------------|---------------------------------------|
| mm | |
| | 0 PLC ±0.3 |
| | 1. PLC ±0.3 |
| | 2. PLC ±0.3 |
| | 3. PLC ±0.3 |
| | 4. PLC ±0.3 |
| | ANGLES ±0.3 |
| MATERIAL | FINISH |
| SEE NOTE | |

| | | | |
|------------------|------------------------------------|-----------|------------|
| DWN/IS SHIN | tyco Tyco Electronics | | |
| CHK YH CHOI | Electronics Kyungson, Korea | | |
| APVD/JK SONG | NAME | | |
| PRODUCT SPEC | JUNIOR POWER TIMER 3P | | |
| APPLICATION SPEC | FOR FUEL TPS CONNECTOR ASS'Y | | |
| WEIGHT | SIZE | CAGE CODE | DRAWING NO |
| | A3 | 00779 | ©=368161 |
| CUSTOMER DRAWING | SCALE | SHEET | REV |
| | 2:1 | 1 OF 3 | |

4

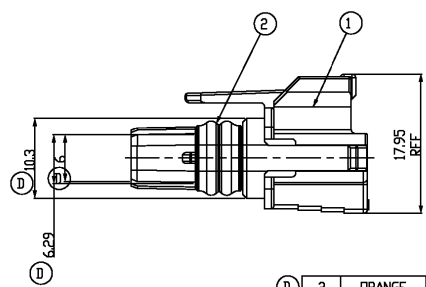
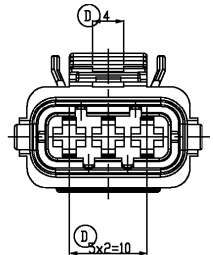
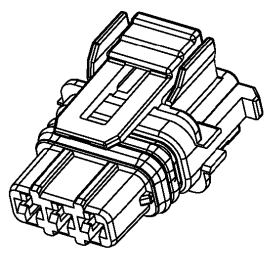
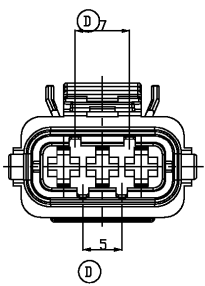
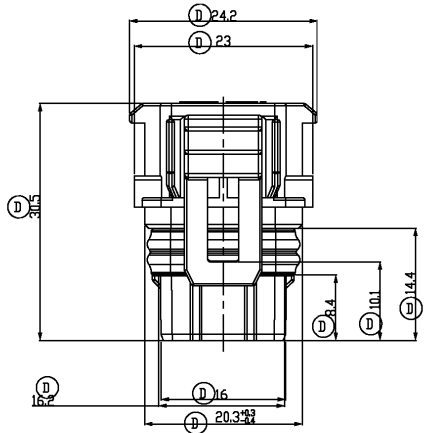
3

2

1

THIS DRAWING IS UNPUBLISHED. RELEASED FOR PUBLICATION
 © COPYRIGHT BY TYCO ELECTRONICS CORPORATION. ALL RIGHTS RESERVED.

| LDC DS | | REVISIONS | | | |
|--------|-----|-------------|------|-----|------|
| P | LTR | DESCRIPTION | DATE | DWN | APVD |
| | | SEE SHEET 1 | | | |



| NO | COLOR | MATERIAL | DESCRIPTION | P/N | Q'TY |
|----|-----------|-----------|-----------------|-------------|------|
| 2 | ORANGE | SILICONE | INNER SEAL | 0-368839-2 | 1 |
| 1 | DARK GRAY | PA66-GF15 | JPT 3P PLUG HSG | 1-1897330-3 | 1 |
| 1 | BLACK | PA66-GF15 | JPT 3P PLUG HSG | 1-1897330-2 | 1 |

| | | |
|------------|------------|----------|
| 1-368161-3 | 1-368161-2 | ASSY P/N |
|------------|------------|----------|

| | | | | | | | |
|--|--|---|--|--|--|---|--|
| DIMENSIONS: mm 3RD ANGLE PROJECTION MATERIAL: SEE SHEET 1 FINISH: - | | TOLERANCES UNLESS OTHERWISE SPECIFIED: 0 PLC ± SEE SHEET 1 1 PLC ± SEE SHEET 1 2 PLC ± SEE SHEET 1 3 PLC ± SEE SHEET 1 4 PLC ± SEE SHEET 1 ANGLES ± | | DWMS SHIN CHKYM CHOI APVILK-SUNG PRODUCT SPEC APPLICATION SPEC WEIGHT CUSTOMER DRAWING | | Tyco Electronics Tyco Electronics Kyungson, Korea JUNIOR POWER TIMER 3P FOR FUEL TPS CONNECTOR ASS'Y SIZE: A3 CAGE CODE: C=368161 DRAWING NO: 111 RESTRICTED TO: | |
| SCALE: 1:1 | | | | SHEET 2 OF 3 | | REV D | |

4

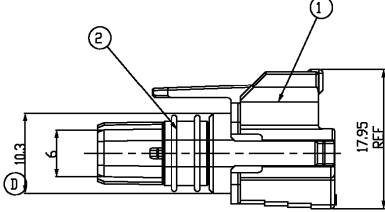
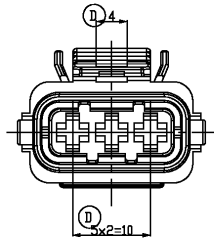
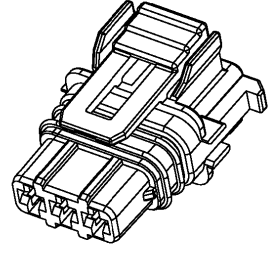
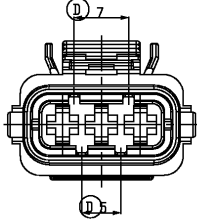
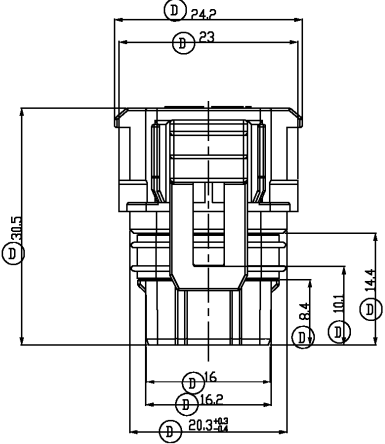
3

2

1

THIS DRAWING IS UNPUBLISHED. RELEASED FOR PUBLICATION
 © COPYRIGHT BY TYCO ELECTRONICS CORPORATION. ALL RIGHTS RESERVED.

| LDC | | DIST | | REVISIONS | | | |
|-----|-----|-------------|------|-----------|------|--|--|
| P | LTR | DESCRIPTION | DATE | DWN | APVD | | |
| | | SEE SHEET 1 | | | | | |



| NO | COLOR | MATERIAL | DESCRIPTION | P/N | QTY |
|----|-----------|-----------|-----------------|-------------|-----|
| 2 | BLUE | SILICONE | INNER SEAL | 1-368839-1 | 1 |
| 1 | DARK GRAY | PA66-GF15 | JPT 3P PLUG HSG | 1-1897330-3 | 1 |
| 1 | BLACK | PA66-GF15 | JPT 3P PLUG HSG | 1-1897330-2 | 1 |

| REV | P/N | REV |
|-----|------------|-----|
| A | 2-368161-3 | A |
| A | 2-368161-2 | A |
| REV | ASSY P/N | REV |

| | | | | | | | |
|--|--|---|--|--|----------|--|--------|
| DIMENSIONS: mm 3RD ANGLE PROJECTION MATERIAL: SEE SHEET 1 FINISH: - | | TOLERANCES UNLESS OTHERWISE SPECIFIED: 0 PLC ± SEE SHEET 1 1 PLC ± SEE SHEET 1 2 PLC ± SEE SHEET 1 3 PLC ± SEE SHEET 1 4 PLC ± SEE SHEET 1 ANGLES ± | | DWMS SHIN CHKYM CHOI APVJLK-SUNG PRODUCT SPEC APPLICATION SPEC WEIGHT CUSTOMER DRAWING | | Tyco Electronics Tyco Electronics Kyungson, Korea JUNIOR POWER TIMER 3P FOR FUEL TPS CONNECTOR ASS'Y SIZE: A3 CAGE CODE: ©=368161 DRAWING NO: ©=368161 RESTRICTED TO: | |
| | | | | SCALE: 1:1 | SHEET: 3 | OF: 3 | REV: D |