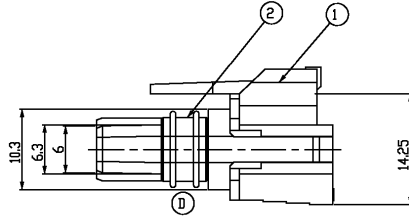
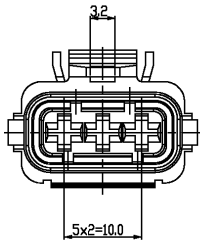
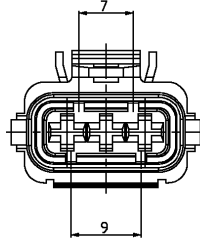
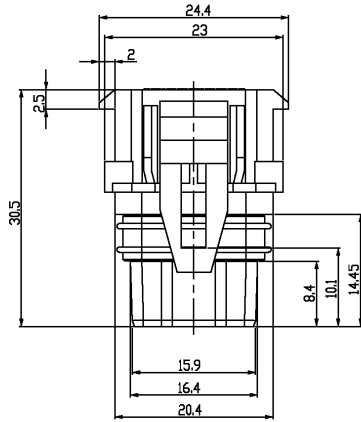


THIS DRAWING IS UNPUBLISHED. RELEASED FOR PUBLICATION
 © COPYRIGHT BY TYCO ELECTRONICS CORPORATION. ALL RIGHTS RESERVED.

LDC	DIST	REVISIONS					
DS		P	LTR	DESCRIPTION	DATE	DWN	APVD
		A		REVISED(RD97-044)	03SEP97	YJ	JK
		B		REVISED (FC00-0086-04)	28MAY04	YJ	JK
		C		REVISED (ECR-06-005229)	03MAR06	GC	JK
		D		REVISED(ECR-07-011015)	11MAY07	IS	JK



NOTE
 1.APPLICABLE PRODUCT SPEC: 108-61025
 2.APPLICABLE CONTACT P/N

TML	P/N	DESCRIPTION	WIRE SIZE
	929941	JPT CONTACT	0.3mm ²
	929939	JPT CONTACT	0.5-1.0mm ²
	929937	JPT CONTACT	1.0-2.5mm ²
	927772-3	JPT CONTACT	0.3mm ²
	927770-3	JPT CONTACT	0.5-1.0mm ²
	927766-3	JPT CONTACT	1.0-2.5mm ²

2	ORANGE	SILICONE	INNER SEAL	0-368839-1	1
1	BLACK	PA66-GF15	JPT 3P PLUG HSG	0-368129-1	1
NO	COLOR	MATERIAL	DESCRIPTION	P/N	Q'TY

0-368161-1
 ASSY P/N

DIMENSIONS:		TOLERANCES UNLESS OTHERWISE SPECIFIED	
mm		0 PLC	±0.3
		1 PLC	±0.3
		2 PLC	±0.3
		3 PLC	±0.3
		4 PLC	±0.3
		ANGLES	±0.3
3rd ANGLE PROJECTION		FINISH	±0.3
MATERIAL		SEE NOTE	

DWN/IS SHIN	tyco Tyco Electronics	
CHK YH CHOI	Kyungson, Korea	
APVD/JK SONG	NAME	
PRODUCT SPEC	JUNIOR POWER TIMER 3P	
APPLICATION SPEC	FOR FUEL TPS CONNECTOR ASS'Y	
WEIGHT	SIZE	RESTRICTED TO
	A3 00779	©=368161
CUSTOMER DRAWING	SCALE 2:1	SHEET 1 OF 3 REV J

4

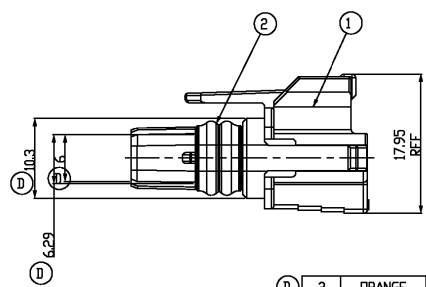
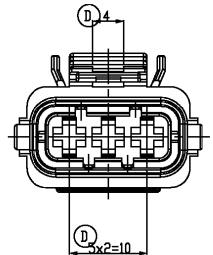
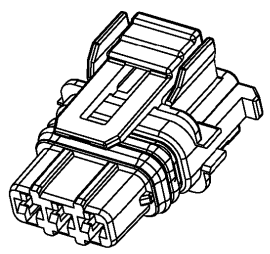
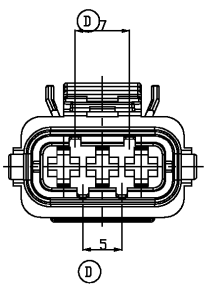
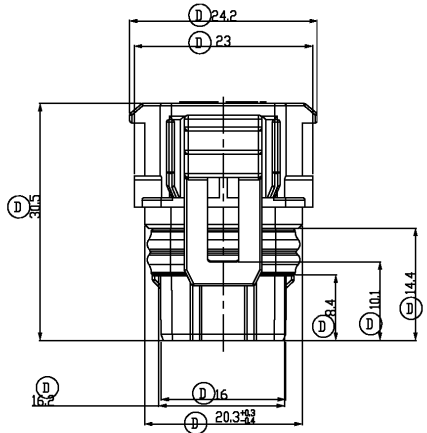
3

2

1

THIS DRAWING IS UNPUBLISHED. RELEASED FOR PUBLICATION
 © COPYRIGHT BY TYCO ELECTRONICS CORPORATION. ALL RIGHTS RESERVED.

LDC DS		REVISIONS			
P	LTR	DESCRIPTION	DATE	DWN	APVD
		SEE SHEET 1			



NO	COLOR	MATERIAL	DESCRIPTION	P/N	Q'TY
2	ORANGE	SILICONE	INNER SEAL	0-368839-2	1
1	DARK GRAY	PA66-GF15	JPT 3P PLUG HSG	1-1897330-3	1
1	BLACK	PA66-GF15	JPT 3P PLUG HSG	1-1897330-2	1

1-368161-3	1-368161-2	ASSY P/N
------------	------------	----------

DIMENSIONS: mm 3RD ANGLE PROJECTION MATERIAL: SEE SHEET 1 FINISH: -		TOLERANCES UNLESS OTHERWISE SPECIFIED: 0 PLC ± SEE SHEET 1 1 PLC ± SEE SHEET 1 2 PLC ± SEE SHEET 1 3 PLC ± SEE SHEET 1 4 PLC ± SEE SHEET 1 ANGLES ±		DWMS SHIN CHKYM CHOI APVILK-SUNG PRODUCT SPEC APPLICATION SPEC WEIGHT CUSTOMER DRAWING		Tyco Electronics Tyco Electronics Kyungson, Korea JUNIOR POWER TIMER 3P FOR FUEL TPS CONNECTOR ASS'Y SIZE: A3 CAGE CODE: C=368161 DRAWING NO: 141 RESTRICTED TO:	
THE BUYER OF A CONTROLLED MATERIAL FOR THIS DRAWING AGREES TO BE SUBJECT TO CHANGE AND THE CONTROLLING ORGANIZATION SHOULD BE CONTACTED FOR THE LATEST REVISION.				SCALE: 1:1 SHEET: 2 OF 3 REV: D			

4

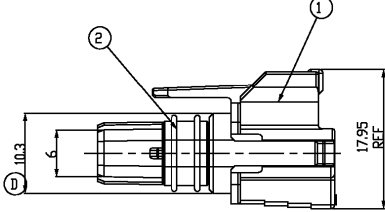
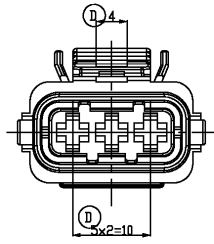
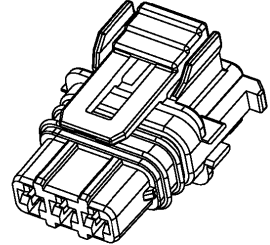
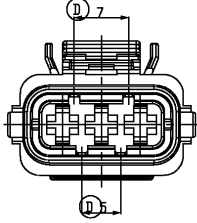
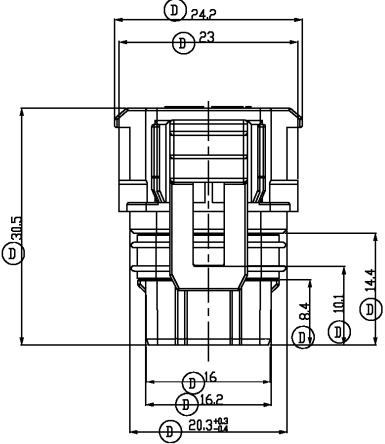
3

2

1

THIS DRAWING IS UNPUBLISHED. RELEASED FOR PUBLICATION
 © COPYRIGHT BY TYCO ELECTRONICS CORPORATION. ALL RIGHTS RESERVED.

LDC		DIST		REVISIONS			
P	LTR	DESCRIPTION	DATE	DWN	APVD		
SEE SHEET 1							



NO	COLOR	MATERIAL	DESCRIPTION	P/N	QTY
2	BLUE	SILICONE	INNER SEAL	1-368839-1	1
1	DARK GRAY	PA66-GF15	JPT 3P PLUG HSG	1-1897330-3	1
1	BLACK	PA66-GF15	JPT 3P PLUG HSG	1-1897330-2	1

REV	P/N	REV
A	2-368161-3	A
A	2-368161-2	A
REV	ASSY P/N	REV

DIMENSIONS: mm 3RD ANGLE PROJECTION MATERIAL: SEE SHEET 1 FINISH: -		TOLERANCES UNLESS OTHERWISE SPECIFIED: 0 PLC ± SEE SHEET 1 1 PLC ± SEE SHEET 1 2 PLC ± SEE SHEET 1 3 PLC ± SEE SHEET 1 4 PLC ± SEE SHEET 1 ANGLES ±		DWMS SHIN CHKYM CHOI APVJLK-SUNG PRODUCT SPEC APPLICATION SPEC WEIGHT CUSTOMER DRAWING		Tyco Electronics Tyco Electronics Kyungson, Korea JUNIOR POWER TIMER 3P FOR FUEL TPS CONNECTOR ASS'Y SIZE: A3 CAGE CODE: C=368161 DRAWING NO: 368161 RESTRICTED TO:	
				SCALE: 1:1	SHEET: 3	OF: 3	REV: D