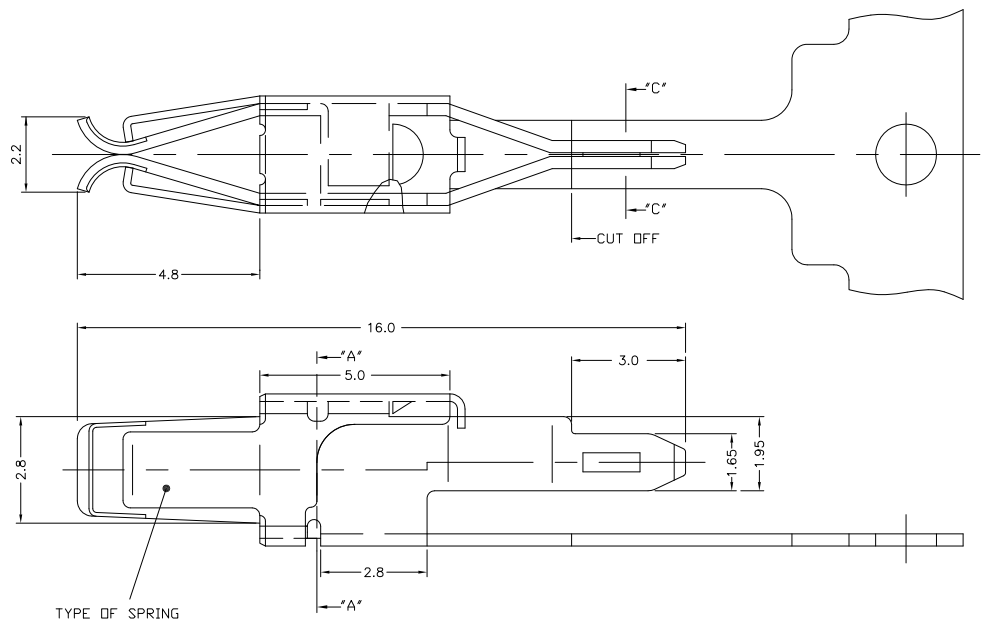
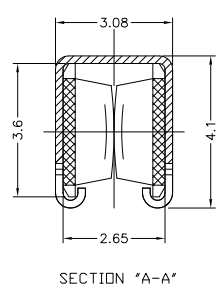
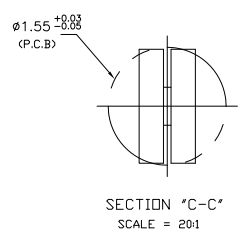
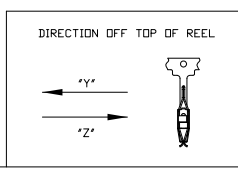


THIS DRAWING IS UNPUBLISHED. RELEASED FOR PUBLICATION
 © COPYRIGHT BY TYCO ELECTRONICS CORPORATION, ALL RIGHTS RESERVED.

LOC	DIST	REVISIONS			
P	LTR	DESCRIPTION	DATE	DWN	APVD
DS	-	H REVISED (ECR-10-017260)	17.SEP.10	KT	HG



FINISH	MATERIAL	P/N	REEL DIRECTION	REMARKS
PRE-TINNED	MAKE FROM 368067-2	3-368067-2	-	LOOSE PIECE
PRE-TINNED	Cu/NiSi 0.32Thk	2-368067-1	"Y"	LOCAL ONLY
PRE-TINNED	Cu/NiSi 0.32Thk	368067-3	"Z"	EXPORT ONLY
PRE-TINNED	Cu/NiSi 0.32Thk	1-368067-2	"Y"	-
PRE-TINNED	Cu/NiSi 0.32Thk	368067-2	"Z"	-



<small>THIS DRAWING IS A CONTROLLED DOCUMENT FOR TYCO ELECTRONICS CORPORATION. IT IS SUBJECT TO CHANGE AND THE CONTROLLING ENGINEERING ORGANIZATION SHOULD BE CONTACTED FOR THE LATEST REVISION.</small>		DWN KT JUNG CHK KT LIM APVD HIG CHD	NAME Tyco Electronics AMP KOREA, Kyungsan, Korea
DIMENSIONS: MM 	TOLERANCES UNLESS OTHERWISE SPECIFIED: 0-XXX10 ± 0.2 10-XXX30 ± 0.25 30-XXX100 ± 0.3 ANGLES ± 3°	PRODUCT SPEC 10B-61042 APPLICATION SPEC - WEIGHT -	SIZE A3 CAGE CODE 00779 DRAWING NO G-368067 RESTRICTED TO -
MATERIAL SEE TABLE	FINISH SEE TABLE	CUSTOMER DRAWING	

SCALE	10/1	SHEET	1	OF	1	REV	H
-------	------	-------	---	----	---	-----	---