

4

3

2

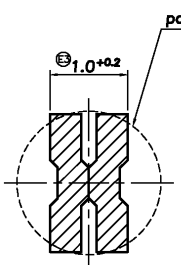
1

THIS DRAWING IS UNPUBLISHED. RELEASED FOR PUBLICATION
 BY TYCO ELECTRONICS CORPORATION ALL RIGHTS RESERVED

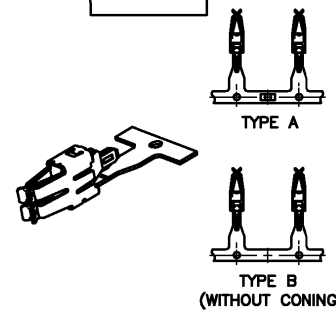
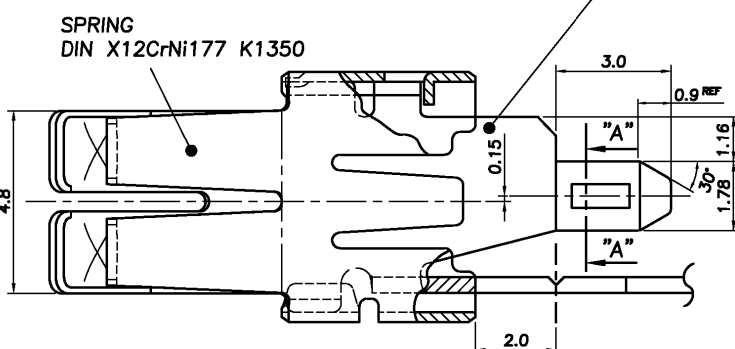
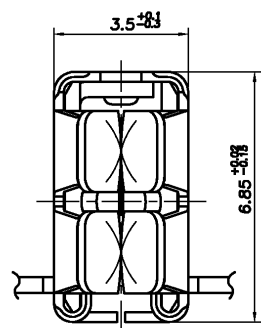
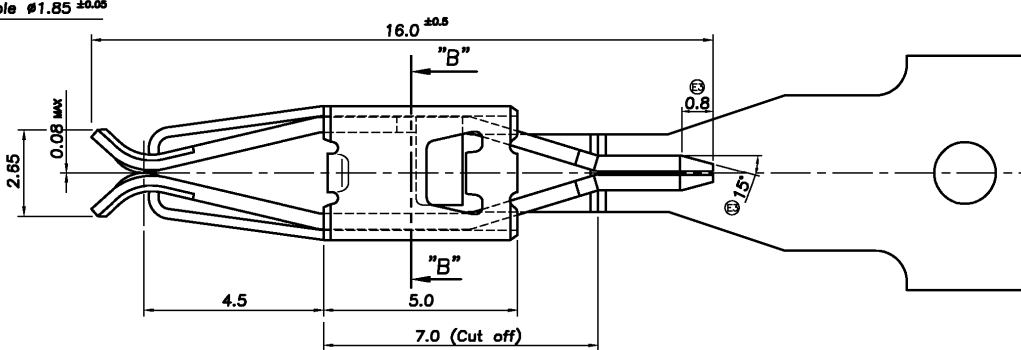
LDC DS DIST

REVISIONS

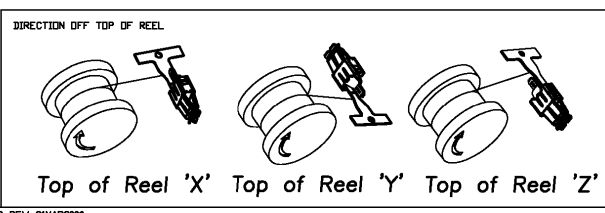
P	LTR	DESCRIPTION	DATE	DWN	APVD
E1	REVISED	ECR-06-002085	20,JAN'06	YH	JK
E2	REVISED	ECR-06-002993	07,FEB'06	YH	JK
E3	REVISED	ECR-06-004324	13,SEP'06	BS	JK



SECTION "A-A"
SCALE 20/1



Y	2- 368028 -1	TYPE B	1POST
X	1- 368028 -2	TYPE A	
Y	1- 368028 -1		
Z	368028 -1		
TOP OF REEL	PART NUMBER	REEL TYPE	REMARK



DIMENSIONS: MM		TOLERANCES UNLESS OTHERWISE SPECIFIED:	
		0.0XX(10) ± 0.2	10.0XX(50) ± 0.25
		30.0XX(100) ± 0.3	ANGLES ± 3°
MATERIAL	FINISH	DWN	BEYOND
Cu/NISI Alloy 0.4Thk.	PRE-TINNED	CHK	YULCHO
		APVD	AK SONG
		PRODUCT SPEC	108-61041
		APPLICATION SPEC	
		WEIGHT	NET. 1.02gf

tyco Electronics AMP KOREA, kyungsan, korea

NAME: STANDARD POWER TIMER CONTACT FOR P.C.B - W/O LATCH

SIZE: A3 CAGE CODE: 00779 DRAWING NO: 368028 RESTRICTED TO

CUSTOMER DRAWING SCALE 10/1 SHEET 1 OF 2 REV E3

4

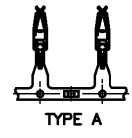
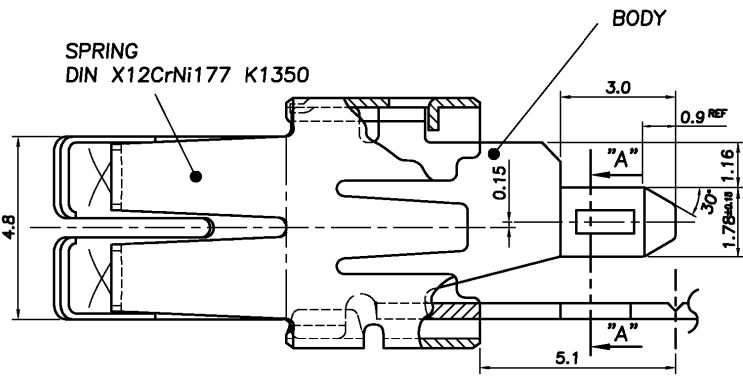
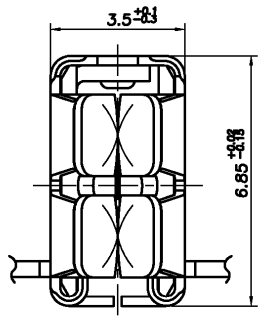
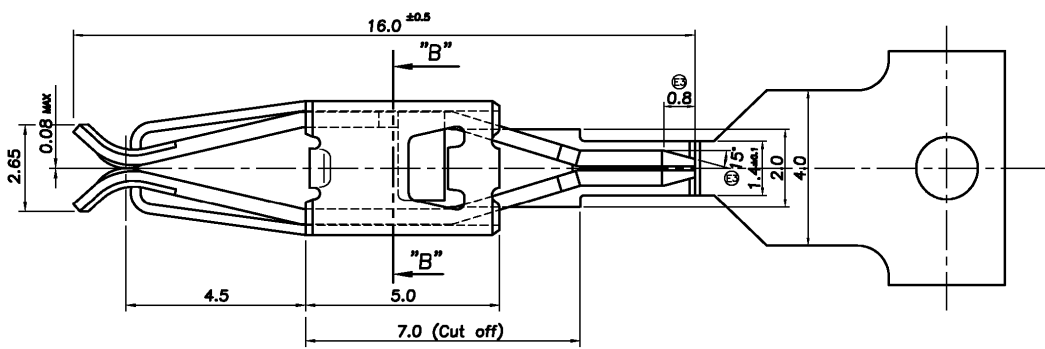
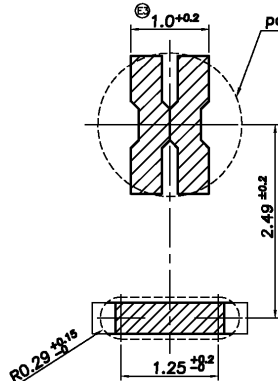
3

2

1

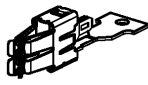
THIS DRAWING IS UNPUBLISHED. RELEASED FOR PUBLICATION
COPYRIGHT BY TYCO ELECTRONICS CORPORATION ALL RIGHTS RESERVED

LDC DS		REVISIONS			
P	LTR	DESCRIPTION	DATE	DWN	APVD
SEE SHEET 1 OF 2					



DIRECTION OFF TOP OF REEL

SEE SHEET 1 OF 2



DIMENSIONS: MM		TOLERANCES UNLESS OTHERWISE SPECIFIED:		DWN
 3rd ANGLE PROJECTION		0 XXXX10 ± 0.2 10 XXXX50 ± 0.25 30 XXXX100 ± 0.3 ANGLES ± 3°		CHK
MATERIAL	FINISH	PRODUCT SPEC	APVD	APVD
Cu/NISI Alloy 0.4Thk.	PRE-TINNED	108-61041		
		APPLICATION SPEC	WEIGHT	
			NET. 1.06gf	

'Y'	1- 368028 -3	TYPE A	2 POST
'X'	0- 368028 -3		
TOP OF REEL	PART NUMBER	REEL TYPE	REMARK
tyco Electronics		AMP KOREA. kyungsan, korea	
STANDARD POWER TIMER CONTACT FOR P.C.B - W/O LATCH			
SIZE	CAGE CODE	DRAWING NO	RESTRICTED TO
A3	00779	3 6 8 0 2 8	
CUSTOMER DRAWING			SCALE 10/1 SHEET 2 OF 2 REV E3