

THIS DRAWING IS UNPUBLISHED. RELEASED FOR PUBLICATION
 COPYRIGHT BY TYCO ELECTRONICS CORPORATION. ALL RIGHTS RESERVED.

LOC	DIST	REVISIONS					
		P	LTR	DESCRIPTION	DATE	DWN	APVD
J	-	C		REVISED ECR-07-013107	04JUN'07	J.S	S.M

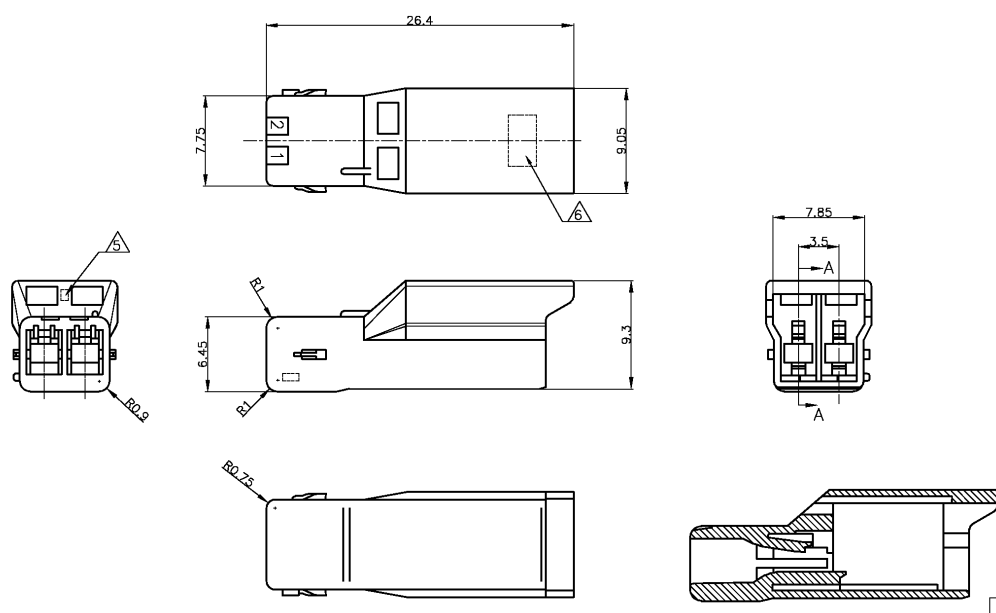
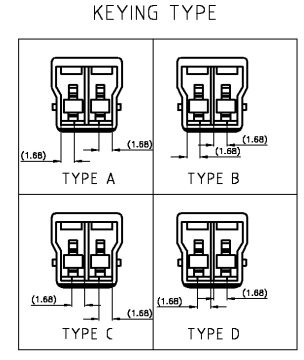


TABLE 1

	生産場所 (MANUFACTURING LOCATION)	
	韓国 (KOREA)	中国 (CHINA)
△ CAVITY MARK		
△ TRADE MARK		TRADE MARK CAVITY MARK+ •



1565081-6	A	BLACK	1565085-6
1565081-5	A	GREEN	1565085-5
3-1565081-4	D	YELLOW	3-1565085-4
2-1565081-3	C	BLUE	2-1565085-3
1-1565081-2	B	RED	1-1565085-2
1565081-1	A	NATURAL	1565085-1

△ MATING HSG P/N KEYING TYPE COLOR P/N

注) 1.一般公差:±0.25
 △材料: 66ナイロン ガラス無(UL94V-0)
 △かん合相手製品型番
 プラグハウジング: TABLE参照のこと
 タブコンタクト: 1565080-1, 1612335-1
 4. 適応プレート型番: 1565089-1
 △表1参照
 △表1参照

NOTES)
 1. GENERAL TOLERANCE: ±0.25
 △ MATERIAL: 66 NYLON NON-GLASS FILLED (UL94V-0)
 △ MATING CONN. P/N
 PLUG HOUSING: SEE TABLE
 TAB CONTACT: 1565080-1, 1612335-1
 4. APPLICABLE PLATE P/N: 1565089-1
 △ SEE TABLE 1
 △ SEE TABLE 1

THIS DRAWING IS A CONTROLLED DOCUMENT.

DIMENSIONS: 単位: 寸 mm	TOLERANCES UNLESS OTHERWISE SPECIFIED: 一般公差	DWN A. OISHI 30 MAY. '02	Tyco Electronics Tyco Electronics AMP K.K. Kawasaki, Japan	
0 PLC ± 1 PLC ± 2 PLC ± 3 PLC ± 4 PLC ± ANGLES ±		CHK M. SHINDO 30 MAY. '02	NAME M. SHINDO	GRACE INERTIA CONNECTOR 3.5 2 POS CAP HOUSING
MATERIAL 材料	FINISH 仕上	APVD M. SHINDO 30 MAY. '02	PRODUCT SPEC 製品規格 108-5810	SIZE CAGE CODE DRAWING NO 114-5306
SEE NOTE 2		WEIGHT -	00779	1565085
CUSTOMER DRAWING			SCALE 尺度	SHEET 1 of 1

RESTRICTED TO