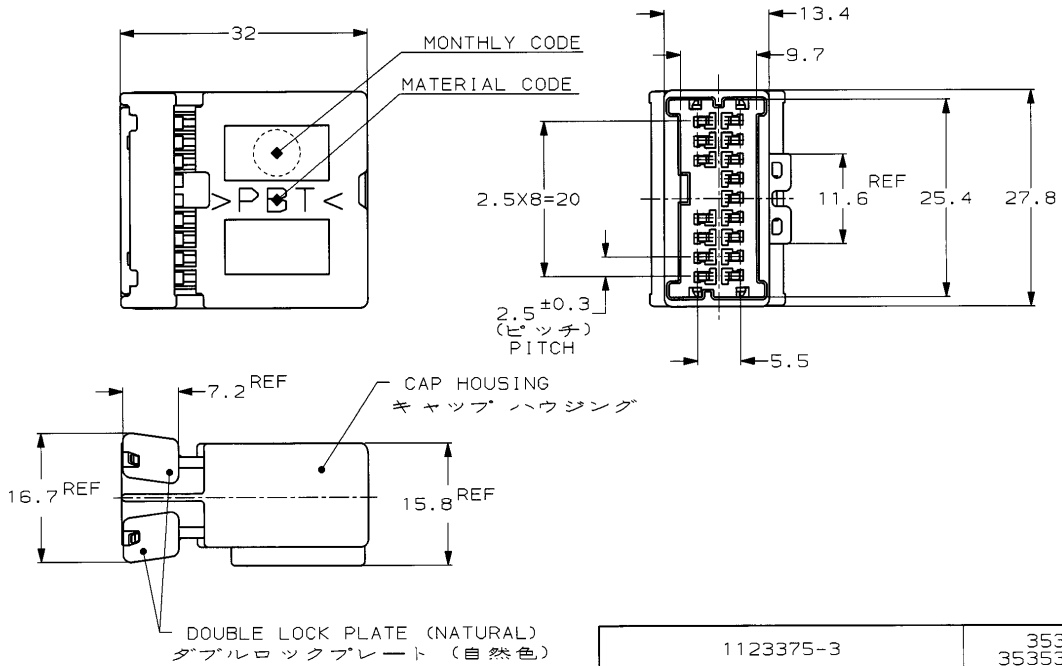


THIS DRAWING IS UNPUBLISHED. RELEASED FOR PUBLICATION 19
 © COPYRIGHT 19 BY AMP INCORPORATED, ALL RIGHTS RESERVED.

LOC J DIST

REVISIONS						
P	LTR	DESCRIPTION	ECN	DATE	DWN	APVD
A		再作成 REDRAWN	FJ00-0506-98	10APR98	TM	MT
B		変更 REVISED	FJ00-1797-99	29OCT99	KS	MT
C		変更 REVISED	FJ00-2112-99	08DEC99	KS	MT



1123375-3	353537-1 353537-2 (AU)	茶色 (BROWN)	1123353-3
嵌合相手ハウジング型番 MATING HOUSING PART NUMBER	適用端子型番 APPLICABLE CONTACT PART NUMBER	色 (COLOR)	型番 PART NUMBER
<small>THIS DRAWING IS A CONTROLLED DOCUMENT FOR AMP INCORPORATED. IF IT IS SUBJECT TO CHANGE AND THE CONTROLLING ENGINEERING ORGANIZATION SHOULD BE CONTACTED FOR THE LATEST REVISION.</small>		AMP <small>日本電気株式会社 Kawasaki, Japan</small>	
<small>DIMENSIONS: 単位: ㎜</small> 	<small>TOLERANCES UNLESS OTHERWISE SPECIFIED</small> 一般公差: .20.2 30 ㎍: .20.25 100 ㎍: .20.3 ANGLE: .20.3°	<small>NAME</small> 040111 MULTILOCK CONNECTOR 16POSITION CAP HOUSING ASSEMBLY (WIRE TO WIRE) 040111 マルチロック コネクタ 16極 キャップハウジング アッセンブリ (対電線用)	<small>RESTRICTED TO</small> -
<small>MATERIAL</small> PBT	<small>FINISH</small> 仕上	<small>SIZE</small> A3 <small>CAGE CODE</small> 00779 <small>DRAWING NO</small> 1123353	<small>SCALE</small> 2:1 <small>SHEET</small> 1 <small>OF</small> 1 <small>REV</small> C
<small>CUSTOMER DRAWING</small>		<small>参考図面</small>	