

SPANSION™ Flash Memory

Data Sheet



September 2003

This document specifies SPANSION™ memory products that are now offered by both Advanced Micro Devices and Fujitsu. Although the document is marked with the name of the company that originally developed the specification, these products will be offered to customers of both AMD and Fujitsu.

Continuity of Specifications

There is no change to this datasheet as a result of offering the device as a SPANSION™ product. Future routine revisions will occur when appropriate, and changes will be noted in a revision summary.

Continuity of Ordering Part Numbers

AMD and Fujitsu continue to support existing part numbers beginning with "Am" and "MBM". To order these products, please use only the Ordering Part Numbers listed in this document.

For More Information

Please contact your local AMD or Fujitsu sales office for additional information about SPANSION™ memory solutions.



FLASH MEMORY

CMOS

4M (512K × 8/256K × 16) BIT

MBM29LV400TC/BC-55/70/90

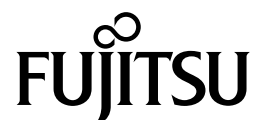
■ FEATURES

- **Single 3.0 V read, program, and erase**
Minimizes system level power requirements
- **Compatible with JEDEC-standard commands**
Uses same software commands as E²PROMs
- **Compatible with JEDEC-standard world-wide pinouts**
48-pin TSOP(1) (Package suffix: PFTN – Normal Bend Type, PFTR – Reversed Bend Type)
44-pin SOP (Package suffix: PF)
48-pin CSOP (Package suffix: PCV)
48-ball FBGA (Package suffix: PBT)
48-ball SCSP (Package suffix: PW)
- **Minimum 100,000 program/erase cycles**
- **High performance**
55 ns maximum access time
- **Sector erase architecture**
One 8K word, two 4K words, one 16K word, and seven 32K words sectors in word mode
One 16K byte, two 8K bytes, one 32K byte, and seven 64K bytes sectors in byte mode
Any combination of sectors can be concurrently erased. Also supports full chip erase
- **Boot Code Sector Architecture**
T = Top sector
B = Bottom sector

(Continued)

■ PRODUCT LINE UP

Part No.	MBM29LV400 TC/BC		
	-55	-70	-90
Power Supply Voltage (V)	$V_{CC} = 3.3 V_{-0.3 V}^{+0.3 V}$	$V_{CC} = 3.0 V_{-0.3 V}^{+0.6 V}$	
Max Address Access Time (ns)	55	70	90
Max \overline{CE} Access Time (ns)	55	70	90
Max \overline{OE} Access Time (ns)	30	30	35



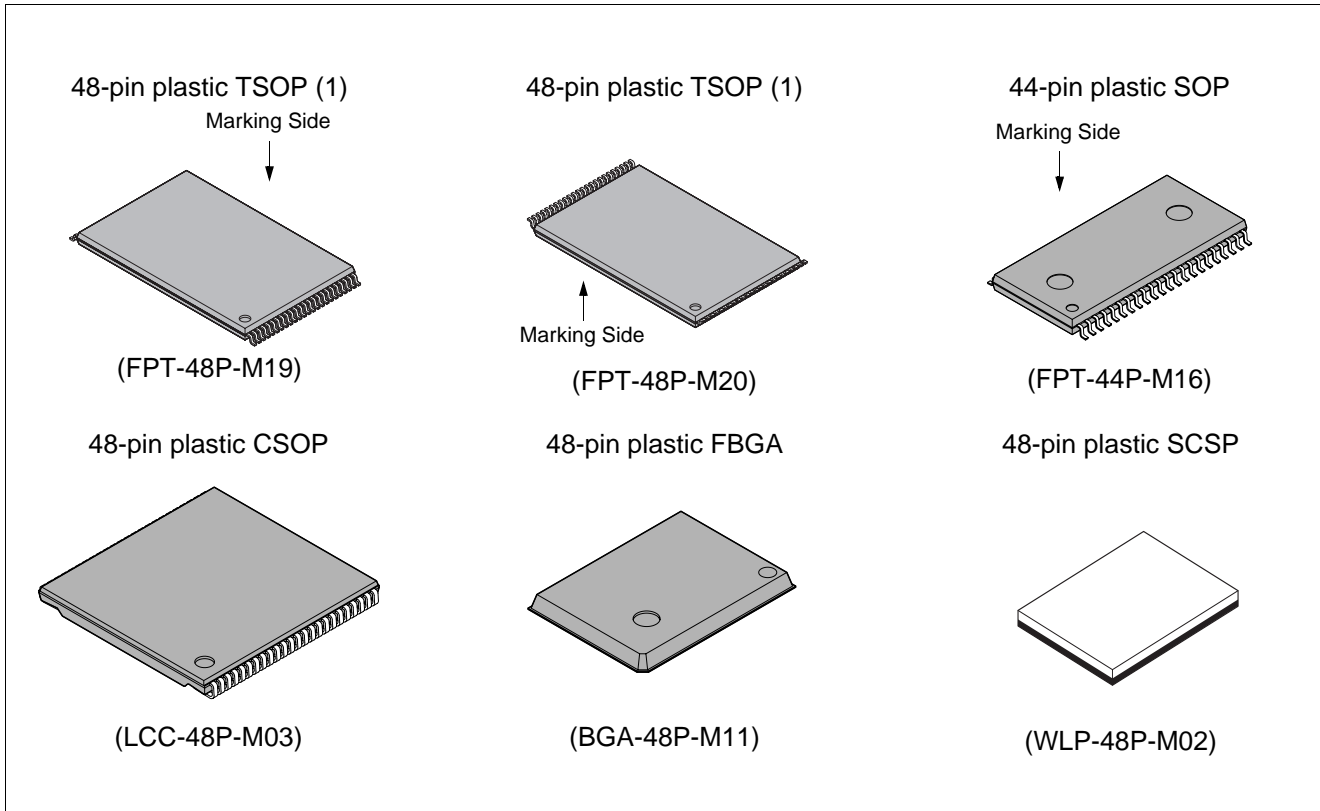
MBM29LV400TC-55/70/90/MBM29LV400BC-55/70/90

(Continued)

- **Embedded Erase™* Algorithms**
Automatically preprograms and erases the chip or any sector
- **Embedded Program™* Algorithms**
Automatically writes and verifies data at specified address
- **Data Polling and Toggle Bit feature for detection of program or erase cycle completion**
- **Ready/Busy output (RY/BY)**
Hardware method for detection of program or erase cycle completion
- **Automatic sleep mode**
When addresses remain stable, automatically switch themselves to low power mode
- **Low V_{cc} write inhibit ≤ 2.5 V**
- **Erase Suspend/Resume**
Suspends the erase operation to allow a read in another sector within the same device
- **Sector protection**
Hardware method disables any combination of sectors from program or erase operations
- **Sector Protection set function by Extended sector Protect command**
- **Fast Programming Function by Extended Command**
- **Temporary sector unprotection**
Temporary sector unprotection via the $\overline{\text{RESET}}$ pin

*: Embedded Erase™ and Embedded Program™ are trademarks of Advanced Micro Devices, Inc.

■ PACKAGES



■ GENERAL DESCRIPTION

The MBM29LV400TC/BC are a 4M-bit, 3.0 V-only Flash memory organized as 512K bytes of 8 bits each or 256K words of 16 bits each. The MBM29LV400TC/BC are offered in a 48-pin TSOP(1), 44-pin SOP, 48-pin CSOP, and 48-ball FBGA packages. These devices are designed to be programmed in-system with the standard system 3.0 V V_{CC} supply. 12.0 V V_{PP} and 5.0 V V_{CC} are not required for write or erase operations. The devices can also be reprogrammed in standard EPROM programmers.

The standard MBM29LV400TC/BC offer access times 70 ns and 120 ns, allowing operation of high-speed microprocessors without wait states. To eliminate bus contention the devices have separate chip enable (\overline{CE}), write enable (\overline{WE}), and output enable (\overline{OE}) controls.

The MBM29LV400TC/BC are pin and command set compatible with JEDEC standard E²PROMs. Commands are written to the command register using standard microprocessor write timings. Register contents serve as input to an internal state-machine which controls the erase and programming circuitry. Write cycles also internally latch addresses and data needed for the programming and erase operations. Reading data out of the devices is similar to reading from 5.0 V and 12.0 V Flash or EPROM devices.

The MBM29LV400TC/BC are programmed by executing the program command sequence. This will invoke the Embedded Program Algorithm which is an internal algorithm that automatically times the program pulse widths and verifies proper cell margin. Typically, each sector can be programmed and verified in about 0.5 seconds. Erase is accomplished by executing the erase command sequence. This will invoke the Embedded Erase Algorithm which is an internal algorithm that automatically preprograms the array if it is not already programmed before executing the erase operation. During erase, the devices automatically time the erase pulse widths and verify proper cell margin.

A sector is typically erased and verified in 1.0 second. (If already completely preprogrammed.)

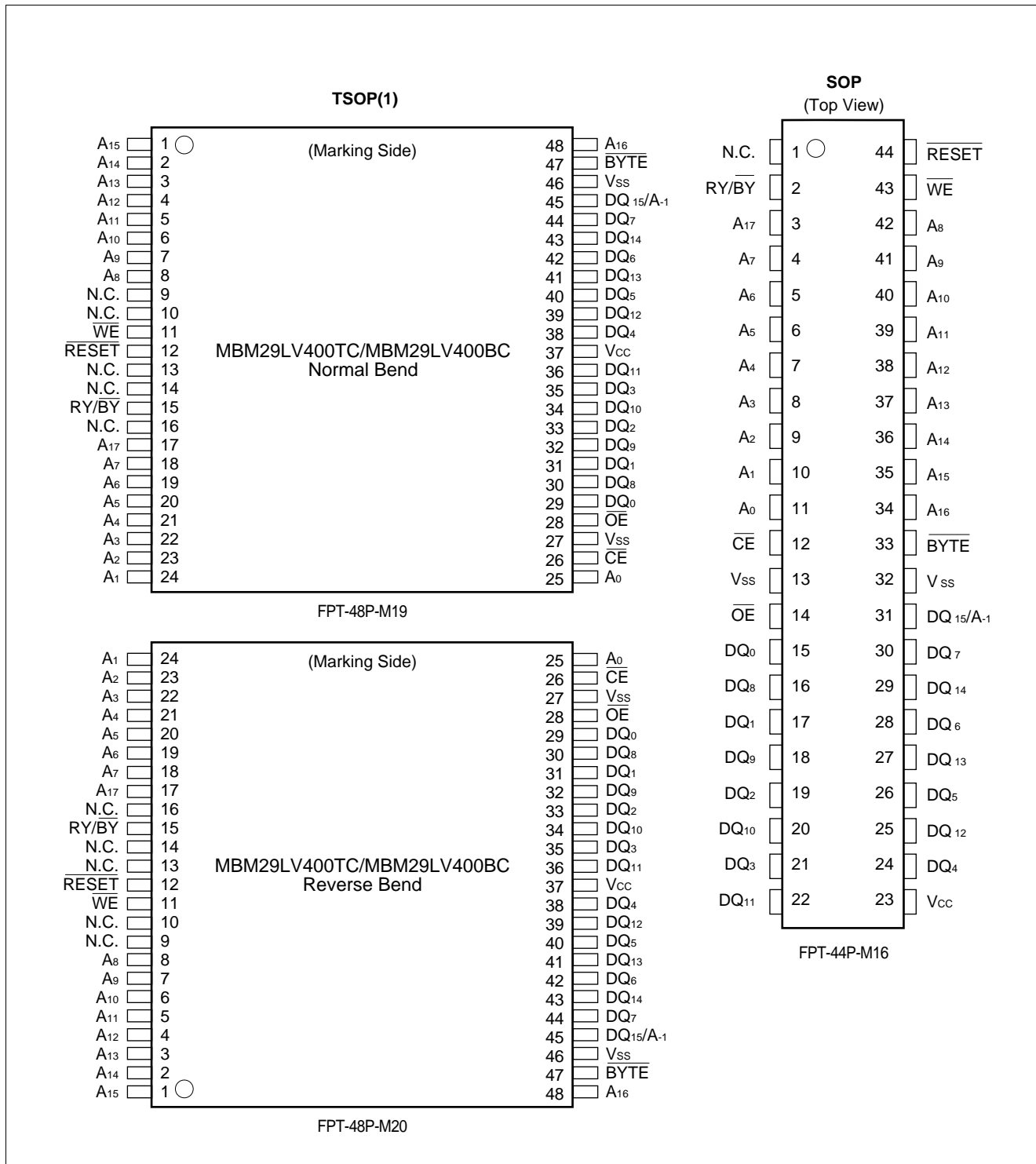
The devices also feature a sector erase architecture. The sector mode allows each sector to be erased and reprogrammed without affecting other sectors. The MBM29LV400TC/BC are erased when shipped from the factory.

The devices feature single 3.0 V power supply operation for both read and write functions. Internally generated and regulated voltages are provided for the program and erase operations. A low V_{CC} detector automatically inhibits write operations on the loss of power. The end of program or erase is detected by \overline{Data} Polling of DQ_7 , by the Toggle Bit feature on DQ_6 , or the RY/\overline{BY} output pin. Once the end of a program or erase cycle has been completed, the devices internally reset to the read mode.

Fujitsu's Flash technology combines years of EPROM and E²PROM experience to produce the highest levels of quality, reliability, and cost effectiveness. The MBM29LV400TC/BC memories electrically erase the entire chip or all bits within a sector simultaneously via Fowler-Nordhiem tunneling. The bytes/words are programmed one byte/word at a time using the EPROM programming mechanism of hot electron injection.

MBM29LV400TC-55/70/90/MBM29LV400BC-55/70/90

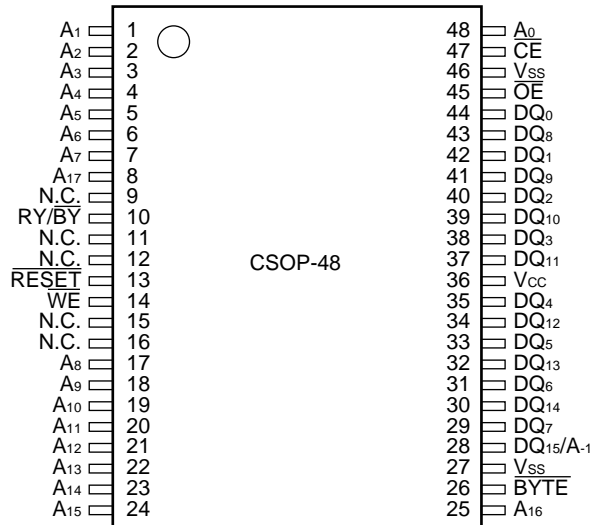
■ PIN ASSIGNMENTS



(Continued)

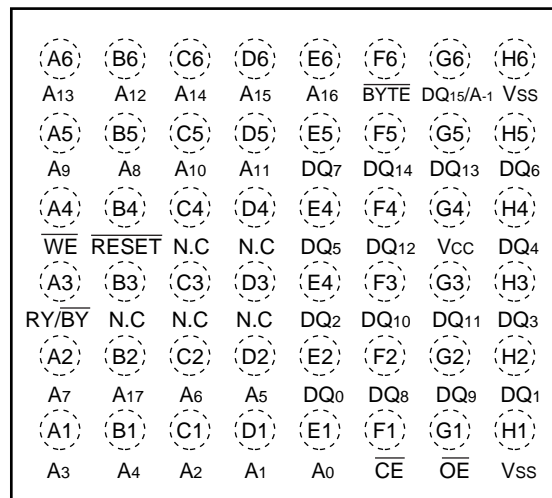
MBM29LV400TC-55/70/90/MBM29LV400BC-55/70/90

(TOP VIEW)



LCC-48P-M03

FPGA
(Top View)
Marking side



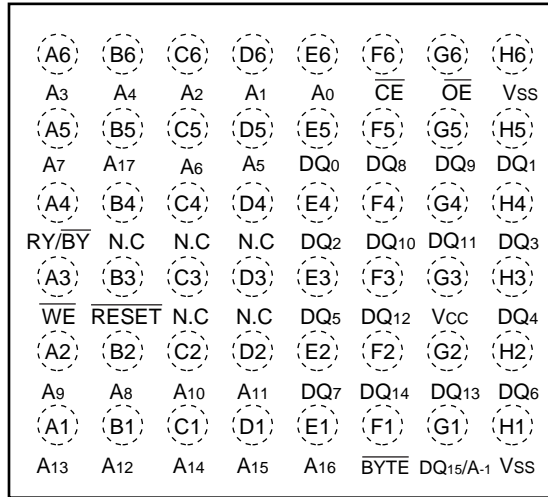
BGA-48P-M11

(Continued)

MBM29LV400TC-55/70/90/MBM29LV400BC-55/70/90

(Continued)

SCSP
(Top View)
Marking side



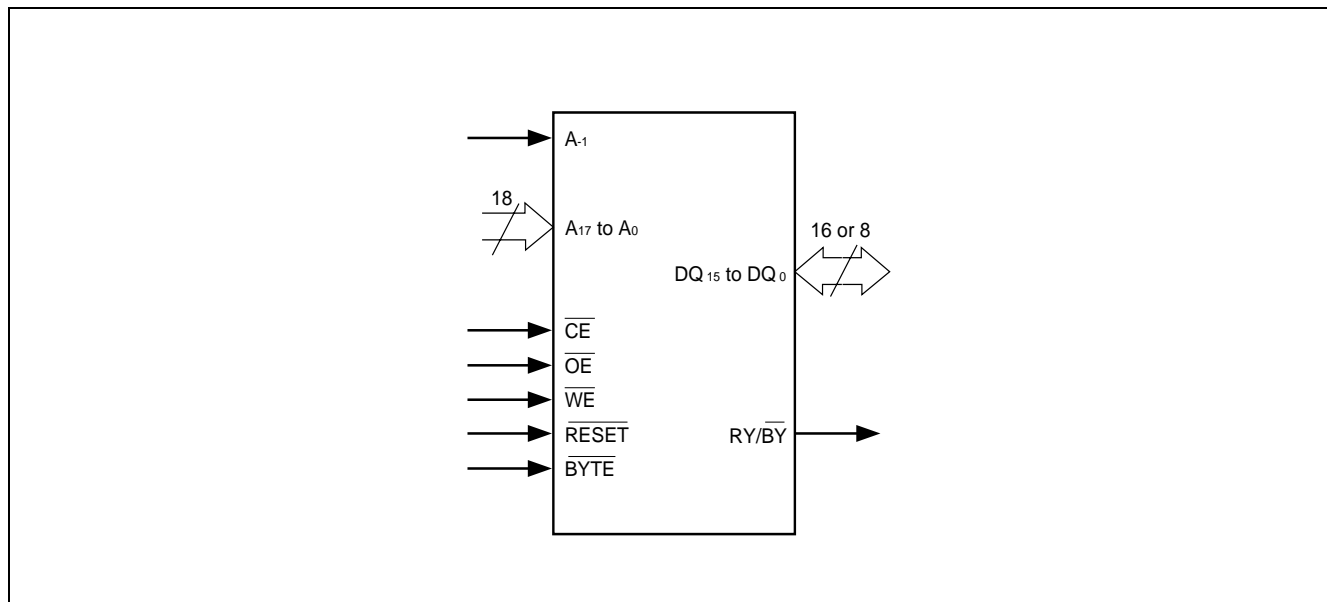
WLP-48P-M02

MBM29LV400TC-55/70/90/MBM29LV400BC-55/70/90

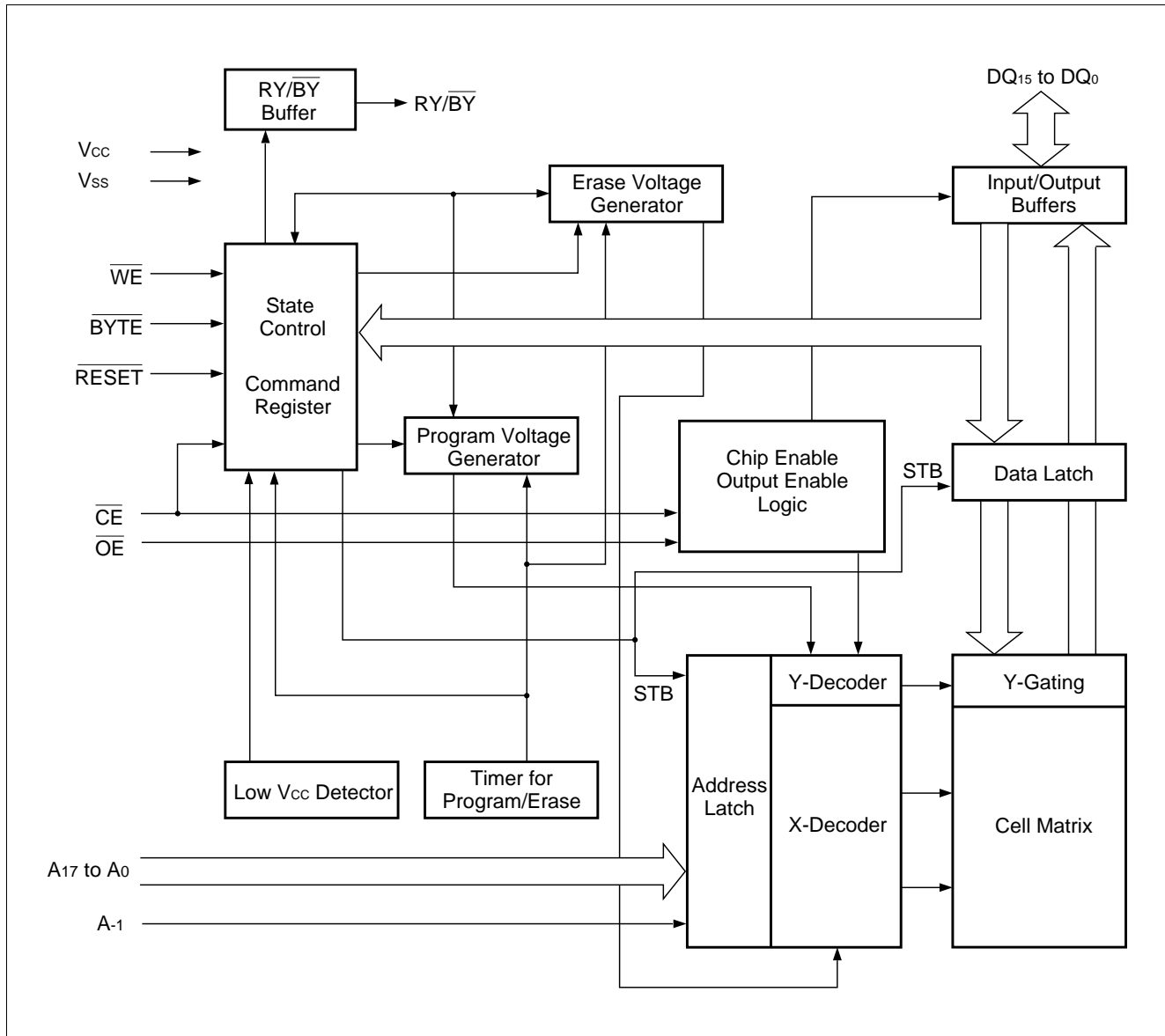
■ PIN DESCRIPTIONS

Pin	Function
A ₁₇ to A ₀ , A ₋₁	Address Inputs
DQ ₁₅ to DQ ₀	Data Inputs/Outputs
$\overline{\text{CE}}$	Chip Enable
$\overline{\text{OE}}$	Output Enable
$\overline{\text{WE}}$	Write Enable
RY/ $\overline{\text{BY}}$	Ready/Busy Output
$\overline{\text{RESET}}$	Hardware Reset Pin/Temporary Sector Unprotection
$\overline{\text{BYTE}}$	Selects 8-bit or 16-bit mode
N.C.	No Internal Connection
V _{SS}	Device Ground
V _{CC}	Device Power Supply

■ LOGIC SYMBOL



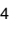
■ BLOCK DIAGRAM



MBM29LV400TC-55/70/90/MBM29LV400BC-55/70/90

■ DEVICE BUS OPERATIONS

MBM29LV400TC/400BC User Bus Operations Table ($\overline{\text{BYTE}} = V_{IH}$)

Operation	$\overline{\text{CE}}$	$\overline{\text{OE}}$	$\overline{\text{WE}}$	A ₀	A ₁	A ₆	A ₉	DQ ₀ to DQ ₁₅	$\overline{\text{RESET}}$
Auto-Select Manufacturer Code *1	L	L	H	L	L	L	V _{ID}	Code	H
Auto-Select Device Code *1	L	L	H	H	L	L	V _{ID}	Code	H
Read *3	L	L	H	A ₀	A ₁	A ₆	A ₉	D _{OUT}	H
Standby	H	X	X	X	X	X	X	High-Z	H
Output Disable	L	H	H	X	X	X	X	High-Z	H
Write (Program/Erase)	L	H	L	A ₀	A ₁	A ₆	A ₉	D _{IN}	H
Enable Sector Protection *2, *4	L	V _{ID}		L	H	L	V _{ID}	X	H
Verify Sector Protection *2, *4	L	L	H	L	H	L	V _{ID}	Code	H
Temporary Sector Unprotection*5	X	X	X	X	X	X	X	X	V _{ID}
Reset (Hardware)/Standby	X	X	X	X	X	X	X	High-Z	L

Legend: L = V_{IL}, H = V_{IH}, X = V_{IL} or V_{IH},  = Pulse input. See “■DC CHARACTERISTICS” for voltage levels.

*1: Manufacturer and device codes are accessed via a command register write sequence. See “MBM29LV400TC/400BC Standard Command Definitions Table” in ■DEVICE BUS OPERATIONS.

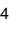
*2: Refer to “7. Sector Protection” in ■FUNCTIONAL DESCRIPTION.

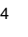
*3: $\overline{\text{WE}}$ can be V_{IL} if $\overline{\text{OE}}$ is V_{IL}, $\overline{\text{OE}}$ at V_{IH} initiates the write operations.

*4: V_{CC} = 3.3 V ± 10%

*5: Also used for the extended sector protection.

MBM29LV400TC/400BC User Bus Operations ($\overline{\text{BYTE}} = V_{IL}$)

Operation	$\overline{\text{CE}}$	$\overline{\text{OE}}$	$\overline{\text{WE}}$	DQ ₁₅ / A ₋₁	A ₀	A ₁	A ₆	A ₉	DQ ₀ to DQ ₇	$\overline{\text{RESET}}$
Auto-Select Manufacturer Code *1	L	L	H	L	L	L	L	V _{ID}	Code	H
Auto-Select Device Code *1	L	L	H	L	H	L	L	V _{ID}	Code	H
Read *3	L	L	H	A ₋₁	A ₀	A ₁	A ₆	A ₉	D _{OUT}	H
Standby	H	X	X	X	X	X	X	X	High-Z	H
Output Disable	L	H	H	X	X	X	X	X	High-Z	H
Write (Program/Erase)	L	H	L	A ₋₁	A ₀	A ₁	A ₆	A ₉	D _{IN}	H
Enable Sector Protection *2, *4	L	V _{ID}		L	L	H	L	V _{ID}	X	H
Verify Sector Protection *2, *4	L	L	H	L	L	H	L	V _{ID}	Code	H
Temporary Sector Unprotection *5	X	X	X	X	X	X	X	X	X	V _{ID}
Reset (Hardware)/Standby	X	X	X	X	X	X	X	X	High-Z	L

Legend: L = V_{IL}, H = V_{IH}, X = V_{IL} or V_{IH},  = Pulse input. See “■DC CHARACTERISTICS” for voltage levels.

*1: Manufacturer and device codes are accessed via a command register write sequence. See “MBM29LV400TC/400BC Standard Command Definitions Table” in ■DEVICE BUS OPERATIONS.

*2: Refer to “7. Sector Protection” in ■FUNCTIONAL DESCRIPTION.

*3: $\overline{\text{WE}}$ can be V_{IL} if $\overline{\text{OE}}$ is V_{IL}, $\overline{\text{OE}}$ at V_{IH} initiates the write operations.

*4: V_{CC} = 3.3 V ± 10%

*5: Also used for the extended sector protection.

MBM29LV400TC-55/70/90/MBM29LV400BC-55/70/90

MBM29LV400TC/400BC Standard Command Definitions

Command Sequence		Bus Write Cycles Req'd	First Bus Write Cycle		Second Bus Write Cycle		Third Bus Write Cycle		Fourth Bus Read/Write Cycle		Fifth Bus Write Cycle		Sixth Bus Write Cycle	
			Addr.	Data	Addr.	Data	Addr.	Data	Addr.	Data	Addr.	Data	Addr.	Data
Read/Reset	Word	1	XXXh	F0h	—	—	—	—	—	—	—	—	—	—
	Byte		—	—	—	—	—	—	—	—	—	—	—	—
Read/Reset	Word	3	555h	AAh	2AAh	55h	555h	F0h	RA	RD	—	—	—	—
	Byte		AAAh		555h		AAAh							
Autoselect	Word	3	555h	AAh	2AAh	55h	555h	90h	—	—	—	—	—	—
	Byte		AAAh		555h		AAAh							
Program	Word	4	555h	AAh	2AAh	55h	555h	A0h	PA	PD	—	—	—	—
	Byte		AAAh		555h		AAAh							
Chip Erase	Word	6	555h	AAh	2AAh	55h	555h	80h	555h	AAh	2AAh	55h	555h	10h
	Byte		AAAh		555h		AAAh		555h		AAAh			
Sector Erase	Word	6	555h	AAh	2AAh	55h	555h	80h	555h	AAh	2AAh	55h	SA	30h
	Byte		AAAh		555h		AAAh		555h		AAAh			
Sector Erase Suspend			Erase can be suspended during sector erase with Addr. ("H" or "L"). Data (B0h)											
Sector Erase Resume			Erase can be resumed after suspend with Addr. ("H" or "L"). Data (30h)											

- Notes:**
- Address bits A₁₁ to A₁₇ = X = "H" or "L" for all address commands except or Program Address (PA) and Sector Address (SA)
 - Bus operations are defined in "MBM29LV400TC/400BC User Bus Operations Tables ($\overline{\text{BYTE}} = V_{IH}$ and $\text{BYTE} = V_{IH}$)" in ■DEVICE BUS OPERATIONS.
 - RA = Address of the memory location to be read
PA = Address of the memory location to be programmed
Addresses are latched on the falling edge of the $\overline{\text{WE}}$ pulse.
 - SA = Address of the sector to be erased. The combination of A₁₇, A₁₆, A₁₅, A₁₄, A₁₃, and A₁₂ will uniquely select any sector.
 - RD = Data read from location RA during read operation.
PD = Data to be programmed at location PA. Data is latched on the rising edge of $\overline{\text{WE}}$.
 - The system should generate the following address patterns:
Word Mode: 555h or 2AAh to addresses A₀ to A₁₀
Byte Mode: AAAh or 555h to addresses A₋₁ and A₀ to A₁₀
 - Both Read/Reset commands are functionally equivalent, resetting the device to the read mode.
 - The command combinations not described in "MBM29LV400TC/400BC Standard Command Definitions Table" and "MBM29LV400TC/BC Extended Command Definitions Table" in ■DEVICE BUS OPERATIONS are illegal.

MBM29LV400TC-55/70/90/MBM29LV400BC-55/70/90

MBM29LV400TC/BC Extended Command Definitions

Command Sequence		Bus Write Cycles Req'd	First Bus Write Cycle		Second Bus Write Cycle		Third Bus Write Cycle		Fourth Bus Read Cycle	
			Addr	Data	Addr	Data	Addr	Data	Addr	Data
Set to Fast Mode	Word	3	555h	AAh	2AAh	55h	555h	20h	—	—
	Byte		AAAh		555h		AAAh			
Fast Program *1	Word	2	XXXh	A0h	PA	PD	—	—	—	—
	Byte		XXXh							
Reset from Fast Mode *1	Word	2	XXXh	90h	XXXh	F0h *3	—	—	—	—
	Byte		XXXh							
Extended Sector Protect *2	Word	4	XXXh	60h	SPA	60h	SPA	40h	SPA	SD
	Byte									

SPA : Sector address to be protected. Set sector address (SA) and (A₆, A₁, A₀) = (0, 1, 0).

SD : Sector protection verify data. Output 01h at protected sector addresses and output 00h at unprotected sector addresses.

*1: This command is valid while Fast Mode.

*2: This command is valid while $\overline{\text{RESET}} = V_{\text{ID}}$.

*3: This data "00h" is also acceptable.

MBM29LV400TC/400BC Sector Protection Verify Autoselect Codes

Type		A ₁₂ to A ₁₇	A ₆	A ₁	A ₀	A ₋₁ ^{*1}	Code (HEX)
Manufacture's Code		X	V _{IL}	V _{IL}	V _{IL}	V _{IL}	04h
Device Code	MBM29LV400TC	Byte	X	V _{IL}	V _{IL}	V _{IH}	B9h
		Word				X	22B9h
	MBM29LV400BC	Byte	X	V _{IL}	V _{IL}	V _{IH}	BAh
		Word				X	22BAh
Sector Protection		Sector Addresses	V _{IL}	V _{IH}	V _{IL}	V _{IL}	01h ^{*2}

*1: A₋₁ is for Byte mode. In byte mode, DQ₈ to DQ₁₄ become "High-Z" and DQ₁₅ becomes the lower address A₋₁.

*2: Outputs 01h at protected sector addresses and outputs 00h at unprotected sector addresses.

Extended Autoselect Code Table

Type		Code	DQ ₁₅	DQ ₁₄	DQ ₁₃	DQ ₁₂	DQ ₁₁	DQ ₁₀	DQ ₉	DQ ₈	DQ ₇	DQ ₆	DQ ₅	DQ ₄	DQ ₃	DQ ₂	DQ ₁	DQ ₀	
Manufacturer's Code		04h	A ₋₁ /0	0	0	0	0	0	0	0	0	0	0	0	0	1	0	0	
Device Code	MBM29LV400TC	(B)*	B9h	A ₋₁	HI-Z	HI-Z	HI-Z	HI-Z	HI-Z	HI-Z	1	0	1	1	1	0	0	1	
		(W)	22B9h	0	0	1	0	0	0	1	0	1	0	1	1	1	0	0	1
	MBM29LV400BC	(B)*	BAh	A ₋₁	HI-Z	HI-Z	HI-Z	HI-Z	HI-Z	HI-Z	1	0	1	1	1	1	0	1	0
		(W)	22BAh	0	0	1	0	0	0	1	0	1	0	1	1	1	0	1	0
Sector Protection		01h	A ₋₁ /0	0	0	0	0	0	0	0	0	0	0	0	0	0	0	1	

(B): Byte mode

(W): Word mode

HI-Z : High-Z

* : At Byte mode, DQ₈ to DQ₁₄ are High-Z and DQ₁₅ is A₋₁, the lowest address.

■ FLEXIBLE SECTOR-ERASE ARCHITECTURE

- One 16K byte, two 8K bytes, one 32K byte, and seven 64K bytes.
- Individual-sector, multiple-sector, or bulk-erase capability.
- Individual or multiple-sector protection is user definable.

	(x8)	(x16)		(x8)	(x16)
16K byte	7FFFFh	3FFFFh	64K byte	7FFFFh	3FFFFh
8K byte	7BFFFh	3DFFFh	64K byte	6FFFFh	37FFFh
8K byte	79FFFh	3CFFFh	64K byte	5FFFFh	2FFFFh
32K byte	77FFFh	3BFFFh	64K byte	4FFFFh	27FFFh
64K byte	6FFFFh	37FFFh	64K byte	3FFFFh	1FFFFh
64K byte	5FFFFh	2FFFFh	64K byte	2FFFFh	17FFFh
64K byte	4FFFFh	27FFFh	64K byte	1FFFFh	0FFFFh
64K byte	3FFFFh	1FFFFh	64K byte	0FFFFh	07FFFh
64K byte	2FFFFh	17FFFh	32K byte	07FFFh	03FFFh
64K byte	1FFFFh	0FFFFh	8K byte	05FFFh	02FFFh
64K byte	0FFFFh	07FFFh	8K byte	03FFFh	01FFFh
64K byte	00000h	00000h	16K byte	00000h	00000h

MBM29LV400TC Sector Architecture

MBM29LV400BC Sector Architecture

MBM29LV400TC-55/70/90/MBM29LV400BC-55/70/90

Sector Address Tables (MBM29LV400TC)

Sector Address	A ₁₇	A ₁₆	A ₁₅	A ₁₄	A ₁₃	A ₁₂	Address Range (×8)	Address Range (×16)
SA0	0	0	0	X	X	X	00000h to 0FFFFh	00000h to 07FFFh
SA1	0	0	1	X	X	X	10000h to 1FFFFh	08000h to 0FFFFh
SA2	0	1	0	X	X	X	20000h to 2FFFFh	10000h to 17FFFh
SA3	0	1	1	X	X	X	30000h to 3FFFFh	18000h to 1FFFFh
SA4	1	0	0	X	X	X	40000h to 4FFFFh	20000h to 27FFFh
SA5	1	0	1	X	X	X	50000h to 5FFFFh	28000h to 2FFFFh
SA6	1	1	0	X	X	X	60000h to 6FFFFh	30000h to 37FFFh
SA7	1	1	1	0	X	X	70000h to 77FFFh	38000h to 3BFFFh
SA8	1	1	1	1	0	0	78000h to 79FFFh	3C000h to 3CFFFh
SA9	1	1	1	1	0	1	7A000h to 7BFFFh	3D000h to 3DFFFh
SA10	1	1	1	1	1	X	7C000h to 7FFFFh	3E000h to 3FFFFh

Sector Address Tables (MBM29LV400BC)

Sector Address	A ₁₇	A ₁₆	A ₁₅	A ₁₄	A ₁₃	A ₁₂	Address Range (×8)	Address Range (×16)
SA0	0	0	0	0	0	X	00000h to 03FFFh	00000h to 01FFFh
SA1	0	0	0	0	1	0	04000h to 05FFFh	02000h to 02FFFh
SA2	0	0	0	0	1	1	06000h to 07FFFh	03000h to 03FFFh
SA3	0	0	0	1	X	X	08000h to 0FFFFh	04000h to 07FFFh
SA4	0	0	1	X	X	X	10000h to 1FFFFh	08000h to 0FFFFh
SA5	0	1	0	X	X	X	20000h to 2FFFFh	10000h to 17FFFh
SA6	0	1	1	X	X	X	30000h to 3FFFFh	18000h to 1FFFFh
SA7	1	0	0	X	X	X	40000h to 4FFFFh	20000h to 27FFFh
SA8	1	0	1	X	X	X	50000h to 5FFFFh	28000h to 2FFFFh
SA9	1	1	0	X	X	X	60000h to 6FFFFh	30000h to 37FFFh
SA10	1	1	1	X	X	X	70000h to 7FFFFh	38000h to 3FFFFh

■ FUNCTIONAL DESCRIPTION

1. Read Mode

The MBM29LV400TC/BC have two control functions which must be satisfied in order to obtain data at the outputs. \overline{CE} is the power control and should be used for a device selection. \overline{OE} is the output control and should be used to gate data to the output pins if a device is selected.

Address access time (t_{ACC}) is equal to the delay from stable addresses to valid output data. The chip enable access time (t_{CE}) is the delay from stable addresses and stable \overline{CE} to valid data at the output pins. The output enable access time is the delay from the falling edge of \overline{OE} to valid data at the output pins. (Assuming the addresses have been stable for at least $t_{ACC-tOE}$ time.) When reading out a data without changing addresses after power-up, it is necessary to input hardware reset or change \overline{CE} pin from "H" or "L"

2. Standby Mode

There are two ways to implement the standby mode on the MBM29LV400TC/BC devices, one using both the \overline{CE} and \overline{RESET} pins; the other via the \overline{RESET} pin only.

When using both pins, a CMOS standby mode is achieved with \overline{CE} and \overline{RESET} inputs both held at $V_{CC} \pm 0.3 V$. Under this condition the current consumed is less than $5 \mu A$. The device can be read with standard access time (t_{CE}) from either of these standby modes. During Embedded Algorithm operation, V_{CC} active current (I_{CC2}) is required even $\overline{CE} = "H"$.

When using the \overline{RESET} pin only, a CMOS standby mode is achieved with \overline{RESET} input held at $V_{SS} \pm 0.3 V$ ($\overline{CE} = "H"$ or "L"). Under this condition the current is consumed is less than $5 \mu A$. Once the \overline{RESET} pin is taken high, the device requires t_{RH} of wake up time before outputs are valid for read access.

In the standby mode the outputs are in the high impedance state, independent of the \overline{OE} input.

3. Automatic Sleep Mode

There is a function called automatic sleep mode to restrain power consumption during read-out of MBM29LV400TC/400BC data. This mode can be used effectively with an application requested low power consumption such as handy terminals.

To activate this mode, MBM29LV400TC/400BC automatically switch themselves to low power mode when MBM29LV400TC/400BC addresses remain stably during access time of 150 ns. It is not necessary to control \overline{CE} , \overline{WE} , and \overline{OE} on the mode. Under the mode, the current consumed is typically $1 \mu A$ (CMOS Level).

Since the data are latched during this mode, the data are read-out continuously. If the addresses are changed, the mode is canceled automatically and MBM29LV400TC/400BC read-out the data for changed addresses.

4. Output Disable

With the \overline{OE} input at a logic high level (V_{IH}), output from the devices are disabled. This will cause the output pins to be in a high impedance state.

5. Autoselect

The autoselect mode allows the reading out of a binary code from the devices and will identify its manufacturer and type. This mode is intended for use by programming equipment for the purpose of automatically matching the devices to be programmed with its corresponding programming algorithm. This mode is functional over the entire temperature range of the devices.

To activate this mode, the programming equipment must force V_{ID} (11.5 V to 12.5 V) on address pin A_9 . Two identifier bytes may then be sequenced from the devices outputs by toggling address A_0 from V_{IL} to V_{IH} . All addresses are DON'T CARES except A_0 , A_1 , A_6 , and A_{-1} . (See "MBM29LV400TC/400BC Sector Protection Verify Autoselect Codes Table" in ■DEVICE BUS OPERATIONS.)

The manufacturer and device codes may also be read via the command register, for instances when the MBM29LV400TC/BC are erased or programmed in a system without access to high voltage on the A₉ pin. The command sequence is illustrated in “MBM29LV400TC/400BC Standard Command Definitions Table” (■DEVICE BUS OPERATIONS). (Refer to “2. Autoselect Command” in ■COMMAND DEFINITIONS.)

Byte 0 (A₀ = V_{IL}) represents the manufacturer's code (Fujitsu = 04h) and (A₀ = V_{IH}) represents the device identifier code (MBM29LV400TC = B9h and MBM29LV400BC = BAh for ×8 mode; MBM29LV400TC = 22B9h and MBM29LV400BC = 22BAh for ×16 mode). These two bytes/words are given in “MBM29LV400TC/400BC Sector Protection Verify Autoselect Codes Table” and “Extended Autoselect Code Table” (■DEVICE BUS OPERATIONS). All identifiers for manufactures and device will exhibit odd parity with DQ₇ defined as the parity bit. In order to read the proper device codes when executing the autoselect, A₁ must be V_{IL}. (See “MBM29LV400TC/400BC Sector Protection Verify Autoselect Codes Table” and “Extended Autoselect Code Table” in ■DEVICE BUS OPERATIONS.)

6. Write

Device erasure and programming are accomplished via the command register. The contents of the register serve as inputs to the internal state machine. The state machine outputs dictate the function of the device.

The command register itself does not occupy any addressable memory location. The register is a latch used to store the commands, along with the address and data information needed to execute the command. The command register is written by bringing \overline{WE} to V_{IL}, while \overline{CE} is at V_{IL} and \overline{OE} is at V_{IH}. Addresses are latched on the falling edge of \overline{WE} or \overline{CE} , whichever happens later; while data is latched on the rising edge of \overline{WE} or \overline{CE} , whichever happens first. Standard microprocessor write timings are used.

Refer to AC Write Characteristics and the Erase/Programming Waveforms for specific timing parameters.

7. Sector Protection

The MBM29LV400TC/BC feature hardware sector protection. This feature will disable both program and erase operations in any number of sectors (0 through 10). The sector protection feature is enabled using programming equipment at the user's site. The devices are shipped with all sectors unprotected. Alternatively, Fujitsu may program and protect sectors in the factory prior to shipping the device.

To activate this mode, the programming equipment must force V_{ID} on address pin A₉ and control pin \overline{OE} , (suggest V_{ID} = 11.5 V), \overline{CE} = V_{IL}, and A₆ = V_{IL}. The sector addresses (A₁₇, A₁₆, A₁₅, A₁₄, A₁₃, and A₁₂) should be set to the sector to be protected. “Sector Address Tables (MBM29LV400TC/BC)” in ■FLEXIBLE SECTOR-ERASE ARCHITECTURE define the sector address for each of the eleven (11) individual sectors. Programming of the protection circuitry begins on the falling edge of the \overline{WE} pulse and is terminated with the rising edge of the same. Sector addresses must be held constant during the \overline{WE} pulse. See “13. AC Waveforms for Sector Protection Timing Diagram” in ■TIMING DIAGRAM and “5. Sector Protection Algorithm” in ■FLOW CHART for sector protection waveforms and algorithm.

To verify programming of the protection circuitry, the programming equipment must force V_{ID} on address pin A₉ with \overline{CE} and \overline{OE} at V_{IL} and \overline{WE} at V_{IH}. Scanning the sector addresses (A₁₇, A₁₆, A₁₅, A₁₄, A₁₃, and A₁₂) while (A₆, A₁, A₀) = (0, 1, 0) will produce a logical “1” code at device output DQ₀ for a protected sector. Otherwise the devices will read 00h for unprotected sector. In this mode, the lower order addresses, except for A₀, A₁, and A₆ are DON'T CARES. Address locations with A₁ = V_{IL} are reserved for Autoselect manufacturer and device codes. A₋₁ requires to apply to V_{IL} on byte mode.

It is also possible to determine if a sector is protected in the system by writing an Autoselect command. Performing a read operation at the address location XX02h, where the higher order addresses (A₁₇, A₁₆, A₁₅, A₁₄, A₁₃, and A₁₂) are the desired sector address will produce a logical “1” at DQ₀ for a protected sector. See “MBM29LV400TC/400BC Sector Protection Verify Autoselect Codes Table” and “Extended Autoselect Code Table” in ■DEVICE BUS OPERATIONS for Autoselect codes.

8. Temporary Sector Unprotection

This feature allows temporary unprotection of previously protected sectors of the MBM29LV400TC/BC devices in order to change data. The Sector Unprotection mode is activated by setting the $\overline{\text{RESET}}$ pin to high voltage (12 V). During this mode, formerly protected sectors can be programmed or erased by selecting the sector addresses. Once the 12 V is taken away from the $\overline{\text{RESET}}$ pin, all the previously protected sectors will be protected again. See “14. Temporary Sector Unprotection Timing Diagram” in ■TIMING DIAGRAM and “6. Temporary Sector Unprotection Algorithm” in ■FLOW CHART.

9. $\overline{\text{RESET}}$

Hardware Reset

The MBM29LV400TC/BC devices may be reset by driving the $\overline{\text{RESET}}$ pin to V_{IL} . The $\overline{\text{RESET}}$ pin has a pulse requirement and has to be kept low (V_{IL}) for at least 500 ns in order to properly reset the internal state machine. Any operation in the process of being executed will be terminated and the internal state machine will be reset to the read mode 20 μs after the $\overline{\text{RESET}}$ pin is driven low. Furthermore, once the $\overline{\text{RESET}}$ pin goes high, the devices require an additional t_{RH} before it will allow read access. When the $\overline{\text{RESET}}$ pin is low, the devices will be in the standby mode for the duration of the pulse and all the data output pins will be tri-stated. If a hardware reset occurs during a program or erase operation, the data at that particular location will be corrupted. Please note that the $\text{RY}/\overline{\text{BY}}$ output signal should be ignored during the $\overline{\text{RESET}}$ pulse. See “9. $\overline{\text{RESET}}/\text{RY}/\overline{\text{BY}}$ Timing Diagram” in ■TIMING DIAGRAM for the timing diagram. Refer to “8. Temporary Sector Unprotection” for additional functionality.

If hardware reset occurs during Embedded Erase Algorithm, there is a possibility that the erasing sector(s) cannot be used.

■ COMMAND DEFINITIONS

Device operations are selected by writing specific address and data sequences into the command register. Writing incorrect address and data values or writing them in the improper sequence will reset the devices to the read mode. “MBM29LV400TC/400BC Standard Command Definitions Table” in ■DEVICE BUS OPERATIONS defines the valid register command sequences. Note that the Erase Suspend (B0h) and Erase Resume (30h) commands are valid only while the Sector Erase operation is in progress. Moreover both Read/Reset commands are functionally equivalent, resetting the device to the read mode. Please note that commands are always written at DQ₀ to DQ₇ and DQ₈ to DQ₁₅ bits are ignored.

1. Read/Reset Command

In order to return from Autoselect mode or Exceeded Timing Limits (DQ₅ = 1) to read/reset mode, the read/reset operation is initiated by writing the Read/Reset command sequence into the command register. Microprocessor read cycles retrieve array data from the memory. The devices remain enabled for reads until the command register contents are altered.

The devices will automatically power-up in the read/reset state. In this case, a command sequence is not required to read data. Standard microprocessor read cycles will retrieve array data. This default value ensures that no spurious alteration of the memory content occurs during the power transition. Refer to the AC Read Characteristics and Waveforms for the specific timing parameters.

2. Autoselect Command

Flash memories are intended for use in applications where the local CPU alters memory contents. As such, manufacture and device codes must be accessible while the devices reside in the target system. PROM programmers typically access the signature codes by raising A₉ to a high voltage. However, multiplexing high voltage onto the address lines is not generally desired system design practice.

The device contains an Autoselect command operation to supplement traditional PROM programming methodology. The operation is initiated by writing the Autoselect command sequence into the command register. Following the command write, a read cycle from address XX00h retrieves the manufacture code of 04h. A read cycle from address XX01h for ×16(XX02h for ×8) returns the device code (MBM29LV400TC = B9h and MBM29LV400BC = BAh for ×8 mode; MBM29LV400TC = 22B9h and MBM29LV400BC = 22BAh for ×16 mode). (See “MBM29LV400TC/400BC Sector Protection Verify Autoselect Codes Table” and “Extended Autoselect Code Table” in ■DEVICE BUS OPERATIONS.) All manufacturer and device codes will exhibit odd parity with DQ₇ defined as the parity

bit. Sector state (protection or unprotection) will be informed by address XX02h for ×16 (XX04h for ×8).

Scanning the sector addresses (A₁₇, A₁₆, A₁₅, A₁₄, A₁₃, and A₁₂) while (A₆, A₁, A₀) = (0, 1, 0) will produce a logical “1” at device output DQ₀ for a protected sector. The programming verification should be performed in margin mode on the protected sector. (See “MBM29LV400TC/400BC User Bus Operations Tables (BYTE = V_{IH} and BYTE = V_{IH})” in ■DEVICE BUS OPERATIONS.)

To terminate the operation, it is necessary to write the Read/Reset command sequence into the register, and also to write the Autoselect command during the operation, execute it after writing Read/Reset command sequence.

3. Byte/Word Programming

The devices are programmed on a byte-by-byte (or word-by-word) basis. Programming is a four bus cycle operation. There are two “unlock” write cycles. These are followed by the program set-up command and data write cycles. Addresses are latched on the falling edge of \overline{CE} or \overline{WE} , whichever happens later and the data is latched on the rising edge of \overline{CE} or \overline{WE} , whichever happens first. The rising edge of \overline{CE} or \overline{WE} (whichever happens first) begins programming. Upon executing the Embedded Program Algorithm command sequence, the system is not required to provide further controls or timings. The device will automatically provide adequate internally generated program pulses and verify the programmed cell margin.

The automatic programming operation is completed when the data on DQ₇ is equivalent to data written to this bit at which time the devices return to the read mode and addresses are no longer latched. (See “Hardware Sequence Flags Table” in ■COMMAND DEFINITIONS.) Therefore, the devices require that a valid address to the devices be supplied by the system at this particular instance of time. Hence, $\overline{\text{Data}}$ Polling must be performed at the memory location which is being programmed.

Any commands written to the chip during this period will be ignored. If hardware reset occurs during the programming operation, it is impossible to guarantee the data are being written.

Programming is allowed in any sequence and across sector boundaries. Beware that a data “0” cannot be programmed back to a “1”. Attempting to do so may either hang up the device or result in an apparent success according to the data polling algorithm but a read from read/reset mode will show that the data is still “0”. Only erase operations can convert “0”s to “1”s.

“1. Embedded Program™ Algorithm” in ■FLOW CHART illustrates the Embedded Program™ Algorithm using typical command strings and bus operations.

4. Chip Erase

Chip erase is a six bus cycle operation. There are two “unlock” write cycles. These are followed by writing the “set-up” command. Two more “unlock” write cycles are then followed by the chip erase command.

Chip erase does not require the user to program the device prior to erase. Upon executing the Embedded Erase Algorithm command sequence the devices will automatically program and verify the entire memory for an all zero data pattern prior to electrical erase (Preprogram function). The system is not required to provide any controls or timings during these operations.

The automatic erase begins on the rising edge of the last $\overline{\text{WE}}$ pulse in the command sequence and terminates when the data on DQ₇ is “1” (See “8. Write Operation Status”).) at which time the device returns to read the mode.

Chip Erase Time; Sector Erase Time × All sectors + Chip Program Time (Preprogramming)

“2. Embedded Erase™ Algorithm” in ■FLOW CHART illustrates the Embedded Erase™ Algorithm using typical command strings and bus operations.

5. Sector Erase

Sector erase is a six bus cycle operation. There are two “unlock” write cycles. These are followed by writing the “set-up” command. Two more “unlock” write cycles are then followed by the Sector Erase command. The sector address (any address location within the desired sector) is latched on the falling edge of $\overline{\text{WE}}$, while the command (Data=30h) is latched on the rising edge of $\overline{\text{WE}}$. After time-out of 50 μs from the rising edge of the last sector erase command, the sector erase operation will begin.

Multiple sectors may be erased concurrently by writing the six bus cycle operations on “MBM29LV400TC/400BC Standard Command Definitions Table” (■DEVICE BUS OPERATIONS). This sequence is followed with writes of the Sector Erase command to addresses in other sectors desired to be concurrently erased. The time between writes must be less than 50 μs otherwise that command will not be accepted and erasure will start. It is recommended that processor interrupts be disabled during this time to guarantee this condition. The interrupts can be re-enabled after the last Sector Erase command is written. A time-out of 50 μs from the rising edge of the last $\overline{\text{WE}}$ will initiate the execution of the Sector Erase command(s). If another falling edge of the $\overline{\text{WE}}$ occurs within the 50 μs time-out window the timer is reset. (Monitor DQ₃ to determine if the sector erase timer window is still open, see section DQ₃, Sector Erase Timer.) Any command other than Sector Erase or Erase Suspend during this time-out period will reset the devices to the read mode, ignoring the previous command string. Resetting the devices once execution has begun will corrupt the data in the sector. In that case, restart the erase on those sectors and allow them to complete. (Refer to “8. Write Operation Status” for Sector Erase Timer operation.) Loading the sector erase buffer may be done in any sequence and with any number of sectors (0 to 10).

Sector erase does not require the user to program the devices prior to erase. The devices automatically program all memory locations in the sector(s) to be erased prior to electrical erase (Preprogram function). When erasing a sector or sectors the remaining unselected sectors are not affected. The system is not required to provide any controls or timings during these operations.

The automatic sector erase begins after the 50 μ s time out from the rising edge of the \overline{WE} pulse for the last sector erase command pulse and terminates when the data on DQ₇ is "1" (See "8. Write Operation Status".) at which time the devices return to the read mode. \overline{Data} polling must be performed at an address within any of the sectors being erased. Multiple Sector Erase Time; [Sector Erase Time + Sector Program Time (Preprogramming)] \times Number of Sector Erase

"2. Embedded Erase™ Algorithm" in ■FLOW CHART illustrates the Embedded Erase™ Algorithm using typical command strings and bus operations.

6. Erase Suspend

The Erase Suspend command allows the user to interrupt a Sector Erase operation and then perform data reads from or programs to a sector not being erased. This command is applicable ONLY during the Sector Erase operation which includes the time-out period for sector erase. The Erase Suspend command will be ignored if written during the Chip Erase operation or Embedded Program Algorithm. Writing the Erase Suspend command during the Sector Erase time-out results in immediate termination of the time-out period and suspension of the erase operation.

Writing the Erase Resume command resumes the erase operation. The addresses are DON'T CARES when writing the Erase Suspend or Erase Resume command.

When the Erase Suspend command is written during the Sector Erase operation, the device will take a maximum of 20 μ s to suspend the erase operation. When the devices have entered the erase-suspended mode, the RY/ \overline{BY} output pin and the DQ₇ bit will be at logic "1", and DQ₆ will stop toggling. The user must use the address of the erasing sector for reading DQ₆ and DQ₇ to determine if the erase operation has been suspended. Further writes of the Erase Suspend command are ignored.

When the erase operation has been suspended, the devices default to the erase-suspend-read mode. Reading data in this mode is the same as reading from the standard read mode except that the data must be read from sectors that have not been erase-suspended. Successively reading from the erase-suspended sector while the device is in the erase-suspend-read mode will cause DQ₂ to toggle. (See the section on DQ₂.)

After entering the erase-suspend-read mode, the user can program the device by writing the appropriate command sequence for Program. This program mode is known as the erase-suspend-program mode. Again, programming in this mode is the same as programming in the regular Program mode except that the data must be programmed to sectors that are not erase-suspended. Successively reading from the erase-suspended sector while the devices are in the erase-suspend-program mode will cause DQ₂ to toggle. The end of the erase-suspended Program operation is detected by the RY/ \overline{BY} output pin, \overline{Data} polling of DQ₇, or by the Toggle Bit I (DQ₆) which is the same as the regular Program operation. Note that DQ₇ must be read from the Program address while DQ₆ can be read from any address.

To resume the operation of Sector Erase, the Resume command (30h) should be written. Any further writes of the Resume command at this point will be ignored. Another Erase Suspend command can be written after the chip has resumed erasing.

7. Extended Command

(1) Fast Mode

MBM29LV400TC/BC has Fast Mode function. This mode dispenses with the initial two unlock cycles required in the standard program command sequence by writing Fast Mode command into the command

register. In this mode, the required bus cycle for programming is two cycles instead of four bus cycles in standard program command. (Do not write erase command in this mode.) The read operation is also executed after exiting this mode. To exit this mode, it is necessary to write Fast Mode Reset command into the command register. (Refer to “8. Embedded Program™ Algorithm for Fast Mode” in ■FLOW CHART Extended algorithm.) The V_{CC} active current is required even $\overline{CE} = V_{IH}$ during Fast Mode.

(2) Fast Programming

During Fast Mode, the programming can be executed with two bus cycles operation. The Embedded Program Algorithm is executed by writing program set-up command (A0h) and data write cycles (PA/PD). (Refer to “8. Embedded Program™ Algorithm for Fast Mode” in ■FLOW CHART Extended algorithm.)

(3) Extended Sector Protection

In addition to normal sector protection, the MBM29LV400TC/BC has Extended Sector Protection as extended function. This function enable to protect sector by forcing V_{ID} on \overline{RESET} pin and write a commnad sequence. Unlike conventional procedure, it is not necessary to force V_{ID} and control timing for control pins. The only \overline{RESET} pin requires V_{ID} for sector protection in this mode. The extended sector protect requires V_{ID} on \overline{RESET} pin. With this condition, the operation is initiated by writing the set-up command (60h) into the command register. Then, the sector addresses pins ($A_{17}, A_{16}, A_{15}, A_{14}, A_{13}$ and A_{12}) and (A_6, A_1, A_0) = (0, 1, 0) should be set to the sector to be protected (recommend to set V_{IL} for the other addresses pins), and write extended sector protect command (60h). A sector is typically protected in 150 μ s. To verify programming of the protection circuitry, the sector addresses pins ($A_{17}, A_{16}, A_{15}, A_{14}, A_{13}$ and A_{12}) and (A_6, A_1, A_0) = (0, 1, 0) should be set and write a command (40h). Following the command write, a logical “1” at device output DQ_0 will produce for protected sector in the read operation. If the output data is logical “0”, please repeat to write extended sector protect command (60h) again. To terminate the operation, it is necessary to set \overline{RESET} pin to V_{IH} .

8. Write Operation Status

Hardware Sequence Flags

Status		DQ ₇	DQ ₆	DQ ₅	DQ ₃	DQ ₂	
In Progress	Embedded Program Algorithm	\overline{DQ}_7	Toggle	0	0	1	
	Embedded Erase Algorithm	0	Toggle	0	1	Toggle* ¹	
	Erase Suspend Mode	Erase Suspend Read (Erase Suspended Sector)	1	1	0	0	Toggle
		Erase Suspend Read (Non-Erase Suspended Sector)	Data	Data	Data	Data	Data
	Erase Suspend Program (Non-Erase Suspended Sector)	\overline{DQ}_7	Toggle	0	0	1* ²	
Exceeded Time Limits	Embedded Program Algorithm	\overline{DQ}_7	Toggle	1	0	1	
	Embedded Erase Algorithm	0	Toggle	1	1	N/A	
	Erase Suspend Mode	Erase Suspend Program (Non-Erase Suspended Sector)	\overline{DQ}_7	Toggle	1	0	N/A

*1: Successive reads from the erasing or erase-suspend sector cause DQ_2 to toggle.

*2: Reading from non-erase suspend sector address indicates logic “1” at the DQ_2 bit.

9. DQ₇

Data Polling

The MBM29LV400TC/BC devices feature $\overline{\text{Data}}$ Polling as a method to indicate to the host that the Embedded Algorithms are in progress or completed. During the Embedded Program Algorithm an attempt to read the devices will produce the complement of the data last written to DQ₇. Upon completion of the Embedded Program Algorithm, an attempt to read the device will produce the true data last written to DQ₇. During the Embedded Erase Algorithm, an attempt to read the device will produce a “0” at the DQ₇ output. Upon completion of the Embedded Erase Algorithm an attempt to read the device will produce a “1” at the DQ₇ output. The flowchart for $\overline{\text{Data}}$ Polling (DQ₇) is shown in “3. $\overline{\text{Data}}$ Polling Algorithm” (■FLOW CHART).

For chip erase and sector erase, the $\overline{\text{Data}}$ Polling is valid after the rising edge of the sixth $\overline{\text{WE}}$ pulse in the six write pulse sequence. $\overline{\text{Data}}$ Polling must be performed at sector address within any of the sectors being erased and not a protected sector. Otherwise, the status may not be valid. Once the Embedded Algorithm operation is close to being completed, the MBM29LV400TC/BC data pins (DQ₇) may change asynchronously while the output enable ($\overline{\text{OE}}$) is asserted low. This means that the devices are driving status information on DQ₇ at one instant of time and then that byte's valid data at the next instant of time. Depending on when the system samples the DQ₇ output, it may read the status or valid data. Even if the device has completed the Embedded Algorithm operation and DQ₇ has a valid data, the data outputs on DQ₀ to DQ₆ may be still invalid. The valid data on DQ₀ to DQ₇ will be read on the successive read attempts.

The $\overline{\text{Data}}$ Polling feature is only active during the Embedded Programming Algorithm, Embedded Erase Algorithm or sector erase time-out. (See “Hardware Sequence Flags Table” in ■COMMAND DEFINITIONS.)

See “6. AC Waveforms for $\overline{\text{Data}}$ Polling during Embedded Algorithm Operations” in ■TIMING DIAGRAM for the $\overline{\text{Data}}$ Polling timing specifications and diagrams.

10. DQ₆

Toggle Bit I

The MBM29LV400TC/BC also feature the “Toggle Bit I” as a method to indicate to the host system that the Embedded Algorithms are in progress or completed.

During an Embedded Program or Erase Algorithm cycle, successive attempts to read ($\overline{\text{OE}}$ toggling) data from the devices will result in DQ₆ toggling between one and zero. Once the Embedded Program or Erase Algorithm cycle is completed, DQ₆ will stop toggling and valid data will be read on the next successive attempts. During programming, the Toggle Bit I is valid after the rising edge of the fourth $\overline{\text{WE}}$ pulse in the four write pulse sequence. For chip erase and sector erase, the Toggle Bit I is valid after the rising edge of the sixth $\overline{\text{WE}}$ pulse in the six write pulse sequence. The Toggle Bit I is active during the sector time out.

In programming, if the sector being written to is protected, the toggle bit will toggle for about 2 μs and then stop toggling without the data having changed. In erase, the devices will erase all the selected sectors except for the ones that are protected. If all selected sectors are protected, the chip will toggle the toggle bit for about 100 μs and then drop back into read mode, having changed none of the data.

Either $\overline{\text{CE}}$ or $\overline{\text{OE}}$ toggling will cause the DQ₆ to toggle. In addition, an Erase Suspend/Resume command will cause the DQ₆ to toggle.

See “7. AC Waveforms for Toggle Bit I during Embedded Algorithm Operations” in ■TIMING DIAGRAM for the Toggle Bit I timing specifications and diagrams.

11. DQ₅

Exceeded Timing Limits

DQ₅ will indicate if the program or erase time has exceeded the specified limits (internal pulse count). Under these conditions DQ₅ will produce a “1”. This is a failure condition which indicates that the program or erase cycle was not successfully completed. $\overline{\text{Data}}$ Polling is the only operating function of the devices under this condition. The $\overline{\text{CE}}$ circuit will partially power down the device under these conditions (to approximately 2 mA). The $\overline{\text{OE}}$ and $\overline{\text{WE}}$ pins will control the output disable functions as described in “MBM29LV400TC/400BC User Bus Operations Tables ($\overline{\text{BYTE}} = V_{\text{IH}}$ and $\overline{\text{BYTE}} = V_{\text{IH}}$)” (■DEVICE BUS OPERATIONS).

The DQ₅ failure condition may also appear if a user tries to program a non blank location without erasing. In this case the devices lock out and never complete the Embedded Algorithm operation. Hence, the system never reads a valid data on DQ₇ bit and DQ₆ never stops toggling. Once the devices have exceeded timing limits, the DQ₅ bit will indicate a “1.” Please note that this is not a device failure condition since the devices were incorrectly used. If this occurs, reset the device with command sequence.

12. DQ₃

Sector Erase Timer

After the completion of the initial sector erase command sequence the sector erase time-out will begin. DQ₃ will remain low until the time-out is complete. $\overline{\text{Data}}$ Polling and Toggle Bit are valid after the initial sector erase command sequence.

If $\overline{\text{Data}}$ Polling or the Toggle Bit I indicates the device has been written with a valid erase command, DQ₃ may be used to determine if the sector erase timer window is still open. If DQ₃ is high (“1”) the internally controlled erase cycle has begun; attempts to write subsequent commands to the device will be ignored until the erase operation is completed as indicated by $\overline{\text{Data}}$ Polling or Toggle Bit I. If DQ₃ is low (“0”), the device will accept additional sector erase commands. To insure the command has been accepted, the system software should check the status of DQ₃ prior to and following each subsequent Sector Erase command. If DQ₃ were high on the second status check, the command may not have been accepted.

See “Hardware Sequence Flags Table” in ■COMMAND DEFINITIONS.

13. DQ₂

Toggle Bit II

This toggle bit II, along with DQ₆, can be used to determine whether the devices are in the Embedded Erase Algorithm or in Erase Suspend.

Successive reads from the erasing sector will cause DQ₂ to toggle during the Embedded Erase Algorithm. If the devices are in the erase-suspended-read mode, successive reads from the erase-suspended sector will cause DQ₂ to toggle. When the devices are in the erase-suspended-program mode, successive reads from the byte address of the non-erase suspended sector will indicate a logic “1” at the DQ₂ bit.

DQ₆ is different from DQ₂ in that DQ₆ toggles only when the standard program or Erase, or Erase Suspend Program operation is in progress. The behavior of these two status bits, along with that of DQ₇, is summarized as follows:

For example, DQ₂ and DQ₆ can be used together to determine if the erase-suspend-read mode is in progress. (DQ₂ toggles while DQ₆ does not.) See also “Hardware Sequence Flags Table” in ■COMMAND DEFINITIONS and “15. DQ₂ vs. DQ₆” in ■TIMING DIAGRAM.

Furthermore, DQ₂ can also be used to determine which sector is being erased. When the device is in the erase mode, DQ₂ toggles if this bit is read from an erasing sector.

14. Reading Toggle Bits DQ₆/DQ₂

Whenever the system initially begins reading toggle bit status, it must read DQ₇ to DQ₀ at least twice in a row to determine whether a toggle bit is toggling. Typically, a system would note and store the value of the toggle bit after the first read. After the second read, the system would compare the new value of toggle bit with the first. If the toggle bit is not toggling, this indicates that the device has completed the program or erase operation. The system can read array data on DQ₇ to DQ₀ on the following read cycle.

However, if after the initial two read cycles, the system determines that the toggle bit is still toggling, the system also should note whether the value of DQ₅ is high (see “11. DQ₅”). If it is the system should then determine again whether the toggle bit is toggling, since the toggle bit may have stopped toggling just as DQ₅ went high. If the toggle bit is no longer toggling, the device has successfully completed the program or erase operation. If it is still toggling, the device did not complete the operation successfully, and the system must write the reset command to return to reading array data.

The remaining scenario is that the system initially determines that the toggle bit is toggling and DQ₅ has not gone high. The system may continue to monitor the toggle bit and DQ₅ through successive read cycles, determining the status as described in the previous paragraph. Alternatively, it may choose to perform other system tasks. In this case, the system must start at the beginning of the algorithm when it returns to determine the status of operation. (See “4. Toggle Bit Algorithm” in ■ FLOW CHART.)

Toggle Bit Status Table

Mode	DQ ₇	DQ ₆	DQ ₂
Program	$\overline{DQ_7}$	Toggle	1
Erase	0	Toggle	Toggle* ¹
Erase-Suspend Read (Erase-Suspend Sector)	1	1	Toggle
Erase-Suspend Program	$\overline{DQ_7}$	Toggle	1* ²

*1 : Successive reads from the erasing or erase-suspend sector cause DQ₂ to toggle.

*2 : Reading from non-erase suspend sector address indicates logic “1” at the DQ₂ bit.

15. RY/ \overline{BY}

Ready/Busy

The MBM29LV400TC/BC provide a RY/ \overline{BY} open-drain output pin as a way to indicate to the host system that the Embedded Algorithms are either in progress or has been completed. If the output is low, the devices are busy with either a program or erase operation. If the output is high, the devices are ready to accept any read/write or erase operation. When the RY/ \overline{BY} pin is low, the devices will not accept any additional program or erase commands. If the MBM29LV400TC/BC are placed in an Erase Suspend mode, the RY/ \overline{BY} output will be high.

During programming, the RY/ \overline{BY} pin is driven low after the rising edge of the fourth \overline{WE} pulse. During an erase operation, the RY/ \overline{BY} pin is driven low after the rising edge of the sixth \overline{WE} pulse. The RY/ \overline{BY} pin will indicate a busy condition during the \overline{RESET} pulse. Refer to “8. RY/ \overline{BY} Timing Diagram during Program/Erase Operations” and “9. \overline{RESET} /RY/ \overline{BY} Timing Diagram” in ■ TIMING DIAGRAM for a detailed timing diagram. The RY/ \overline{BY} pin is pulled high in standby mode.

Since this is an open-drain output, the pull-up resistor needs to be connected to V_{CC}; multiples of devices may be connected to the host system via more than one RY/ \overline{BY} pin in parallel.

16. Byte/Word Configuration

The $\overline{\text{BYTE}}$ pin selects the byte (8-bit) mode or word (16-bit) mode for the MBM29LV400TC/BC devices. When this pin is driven high, the devices operate in the word (16-bit) mode. The data is read and programmed at DQ₀ to DQ₁₅. When this pin is driven low, the devices operate in byte (8-bit) mode. Under this mode, the DQ_{15/A-1} pin becomes the lowest address bit and DQ₈ to DQ₁₄ bits are tri-stated. However, the command bus cycle is always an 8-bit operation and hence commands are written at DQ₀ to DQ₇ and the DQ₈ to DQ₁₅ bits are ignored. Refer to “10. Timing Diagram for Word Mode Configuration” and “11. Timing Diagram for Byte Mode Configuration” and “12. $\overline{\text{BYTE}}$ Timing Diagram for Write Operations” in ■TIMING DIAGRAM for the timing diagram.

17. Data Protection

The MBM29LV400TC/BC are designed to offer protection against accidental erasure or programming caused by spurious system level signals that may exist during power transitions. During power up the devices automatically reset the internal state machine in the Read mode. Also, with its control register architecture, alteration of the memory contents only occurs after successful completion of specific multi-bus cycle command sequences.

The devices also incorporate several features to prevent inadvertent write cycles resulting from V_{CC} power-up and power-down transitions or system noise.

18. Low V_{CC} Write Inhibit

To avoid initiation of a write cycle during V_{CC} power-up and power-down, a write cycle is locked out for V_{CC} less than 2.3 V (typically 2.4 V). If V_{CC} < V_{LKO}, the command register is disabled and all internal program/erase circuits are disabled. Under this condition the device will reset to the read mode. Subsequent writes will be ignored until the V_{CC} level is greater than V_{LKO}. It is the users responsibility to ensure that the control pins are logically correct to prevent unintentional writes when V_{CC} is above 2.3 V.

If Embedded Erase Algorithm is interrupted, there is possibility that the erasing sector(s) cannot be used.

19. Write Pulse “Glitch” Protection

Noise pulses of less than 3 ns (typical) on $\overline{\text{OE}}$, $\overline{\text{CE}}$, or $\overline{\text{WE}}$ will not initiate a write cycle.

20. Logical Inhibit

Writing is inhibited by holding any one of $\overline{\text{OE}} = V_{\text{IL}}$, $\overline{\text{CE}} = V_{\text{IH}}$, or $\overline{\text{WE}} = V_{\text{IH}}$. To initiate a write cycle $\overline{\text{CE}}$ and $\overline{\text{WE}}$ must be a logical zero while $\overline{\text{OE}}$ is a logical one.

21. Power-Up Write Inhibit

Power-up of the devices with $\overline{\text{WE}} = \overline{\text{CE}} = V_{\text{IL}}$ and $\overline{\text{OE}} = V_{\text{IH}}$ will not accept commands on the rising edge of $\overline{\text{WE}}$. The internal state machine is automatically reset to the read mode on power-up.

22. Sector Protection

Device user is able to protect each sector individually to store and protect data. Protection circuit voids both program and erase commands that are addressed to protected sectors.

Any commands to program or erase addressed to protected sector are ignored (see “Sector Protection” in ■FUNCTIONAL DESCRIPTION) .

MBM29LV400TC-55/70/90/MBM29LV400BC-55/70/90

■ ABSOLUTE MAXIMUM RATINGS

Parameter	Symbol	Rating		Unit
		Min	Max	
Storage Temperature	T _{stg}	-55	+125	°C
Ambient Temperature with Power Applied	T _A	-40	+85	°C
Voltage with Respect to Ground All pins except A ₉ , \overline{OE} , \overline{RESET} *1,*2	V _{IN} , V _{OUT}	-0.5	V _{CC} +0.5	V
A ₉ , \overline{OE} and \overline{RESET} *1,*3	V _{IN}	-2.0	+13.0	V
Power Supply Voltage *1	V _{CC}	-0.5	+5.5	V

*1: Voltage is defined on the basis of V_{SS} = GND = 0 V.

*2: Minimum DC voltage on input or I/O pins is -0.5 V. During voltage transitions, input or I/O pins may undershoot V_{SS} to -2.0 V for periods of up to 20 ns. Maximum DC voltage on input or I/O pins is V_{CC} +0.5 V. During voltage transitions, input or I/O pins may overshoot to V_{CC} +2.0 V for periods of up to 20 ns.

*3: Minimum DC input voltage on A₉, \overline{OE} and \overline{RESET} pins is -0.5 V. During voltage transitions, A₉, \overline{OE} and \overline{RESET} pins may undershoot V_{SS} to -2.0 V for periods of up to 20 ns. Voltage difference between input and supply voltage (V_{IN} - V_{CC}) does not exceed +9.0 V. Maximum DC input voltage on A₉, \overline{OE} and \overline{RESET} pins is +13.0 V which may overshoot to +14.0 V for periods of up to 20 ns.

WARNING: Semiconductor devices can be permanently damaged by application of stress (voltage, current, temperature, etc.) in excess of absolute maximum ratings. Do not exceed these ratings.

■ RECOMMENDED OPERATING CONDITIONS

Parameter	Symbol	Part Number	Value		Unit
			Min	Max	
Ambient Temperature	T _A	MBM29LV400TC/BC-55	-20	+70	°C
		MBM29LV400TC/BC-70/-90	-40	+85	°C
Power Supply Voltage*	V _{CC}	MBM29LV400TC/BC-55	+3.0	+3.6	V
		MBM29LV400TC/BC-70/-90	+2.7		

* : Voltage is defined on the basis of V_{SS} = GND = 0 V.

Note: Operating ranges define those limits between which the functionality of the devices are guaranteed.

WARNING: The recommended operating conditions are required in order to ensure the normal operation of the semiconductor device. All of the device's electrical characteristics are warranted when the device is operated within these ranges.

Always use semiconductor devices within their recommended operating condition ranges. Operation outside these ranges may adversely affect reliability and could result in device failure.

No warranty is made with respect to uses, operating conditions, or combinations not represented on the data sheet. Users considering application outside the listed conditions are advised to contact their FUJITSU representatives beforehand.

■ MAXIMUM OVERSHOOT/ MAXIMUM UNDERSHOOT

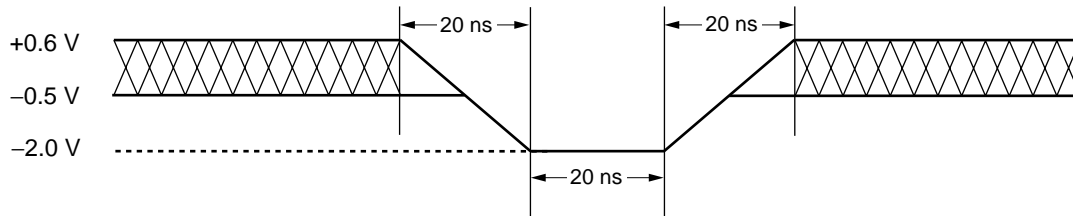


Figure 1 Maximum Undershoot Waveform

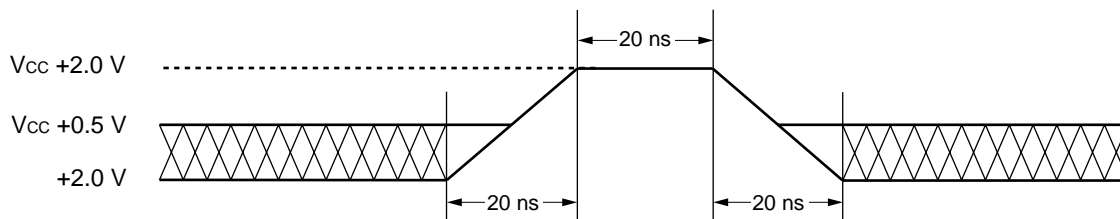
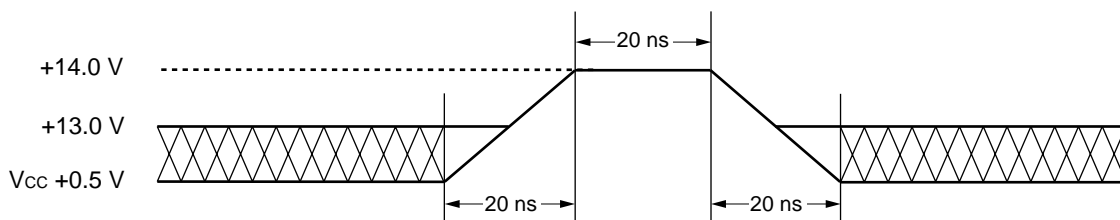


Figure 2 Maximum Overshoot Waveform 1



Note: This waveform is applied for $\overline{A_9}$, \overline{OE} , and \overline{RESET} .

Figure 3 Maximum Overshoot Waveform 2

■ DC CHARACTERISTICS

Parameter	Symbol	Test Conditions	Min	Typ	Max	Unit	
Input Leakage Current	I_{LI}	$V_{IN} = V_{SS}$ to V_{CC} , $V_{CC} = V_{CC}$ Max	-1.0	—	+1.0	μA	
Output Leakage Current	I_{LO}	$V_{OUT} = V_{SS}$ to V_{CC} , $V_{CC} = V_{CC}$ Max	-1.0	—	+1.0	μA	
A_9 , \overline{OE} , \overline{RESET} Inputs Leakage Current	I_{LIT}	$V_{CC} = V_{CC}$ Max A_9 , \overline{OE} , $\overline{RESET} = 12.5$ V	—	—	35	μA	
V _{CC} Active Current *1	I_{CC1}	$\overline{CE} = V_{IL}$, $\overline{OE} = V_{IH}$, f=10 MHz	Byte	—	—	22	mA
			Word	—	—	25	
		$\overline{CE} = V_{IL}$, $\overline{OE} = V_{IH}$, f=5 MHz	Byte	—	—	12	mA
			Word	—	—	15	
V _{CC} Active Current *2	I_{CC2}	$\overline{CE} = V_{IL}$, $\overline{OE} = V_{IH}$	—	—	35	mA	
V _{CC} Current (Standby)	I_{CC3}	$V_{CC} = V_{CC}$ Max, $\overline{CE} = V_{CC} \pm 0.3$ V, $\overline{RESET} = V_{CC} \pm 0.3$ V	—	1	5	μA	
V _{CC} Current (Standby, Reset)	I_{CC4}	$V_{CC} = V_{CC}$ Max, $\overline{RESET} = V_{SS} \pm 0.3$ V	—	1	5	μA	
V _{CC} Current (Automatic Sleep Mode) *3	I_{CC5}	$V_{CC} = V_{CC}$ Max, $\overline{CE} = V_{SS} \pm 0.3$ V, $\overline{RESET} = V_{CC} \pm 0.3$ V $V_{IN} = V_{CC} \pm 0.3$ V or $V_{SS} \pm 0.3$ V	—	1	5	μA	
Input Low Voltage	V_{IL}	—	-0.5	—	0.6	V	
Input High Voltage	V_{IH}	—	2.0	—	$V_{CC}+0.3$	V	
Voltage for Autoselect and Sector Protection (A_9 , \overline{OE} , \overline{RESET}) *4, *5	V_{ID}	—	11.5	12	12.5	V	
Output Low Voltage	V_{OL}	$I_{OL} = 4.0$ mA, $V_{CC} = V_{CC}$ Min	—	—	0.45	V	
Output High Voltage	V_{OH1}	$I_{OH} = -2.0$ mA, $V_{CC} = V_{CC}$ Min	2.4	—	—	V	
	V_{OH2}	$I_{OH} = -100$ μA	$V_{CC}-0.4$	—	—	V	
Low V _{CC} Lock-Out Voltage	V_{LKO}	—	2.3	2.4	2.5	V	

*1: The I_{CC} current listed includes both the DC operating current and the frequency dependent component (at 10 MHz).

*2: I_{CC} active while Embedded Algorithm (program or erase) is in progress.

*3: Automatic sleep mode enables the low power mode when address remain stable for 150 ns.

*4: This timing is only for Sector Protection operation and Autoselect mode.

*5: ($V_{ID} - V_{CC}$) do not exceed 9 V.

■ AC CHARACTERISTICS

• Read Only Operations Characteristics

Parameter	Symbol		Test Setup	Value *						Unit
	JEDEC	Standard		-55		-70		-90		
				Min	Max	Min	Max	Min	Max	
Read Cycle Time	t _{AVAV}	t _{RC}	—	55	—	70	—	90	—	ns
Address to Output Delay	t _{AVQV}	t _{ACC}	$\overline{CE} = V_{IL}$ $\overline{OE} = V_{IL}$	—	55	—	70	—	90	ns
Chip Enable to Output Delay	t _{ELQV}	t _{CE}	$\overline{OE} = V_{IL}$	—	55	—	70	—	90	ns
Output Enable to Output Delay	t _{GLQV}	t _{OE}	—	—	30	—	30	—	35	ns
Chip Enable to Output High-Z	t _{EHQZ}	t _{DF}	—	—	25	—	25	—	30	ns
Output Enable to Output High-Z	t _{GHQZ}	t _{DF}	—	—	25	—	25	—	30	ns
Output Hold Time From Addresses, \overline{CE} or \overline{OE} , Whichever Occurs First	t _{AXQX}	t _{OH}	—	0	—	0	—	0	—	ns
\overline{RESET} Pin Low to Read Mode	—	t _{READY}	—	—	20	—	20	—	20	μs
\overline{CE} to \overline{BYTE} Switching Low or High	—	t _{ELFL} , t _{ELFH}	—	—	5	—	5	—	5	ns

*: Test Conditions:

Output Load: 1 TTL gate and 30 pF (MBM29LV400TC/BC-55/70)

1 TTL gate and 100 pF (MBM29LV400TC/BC-90)

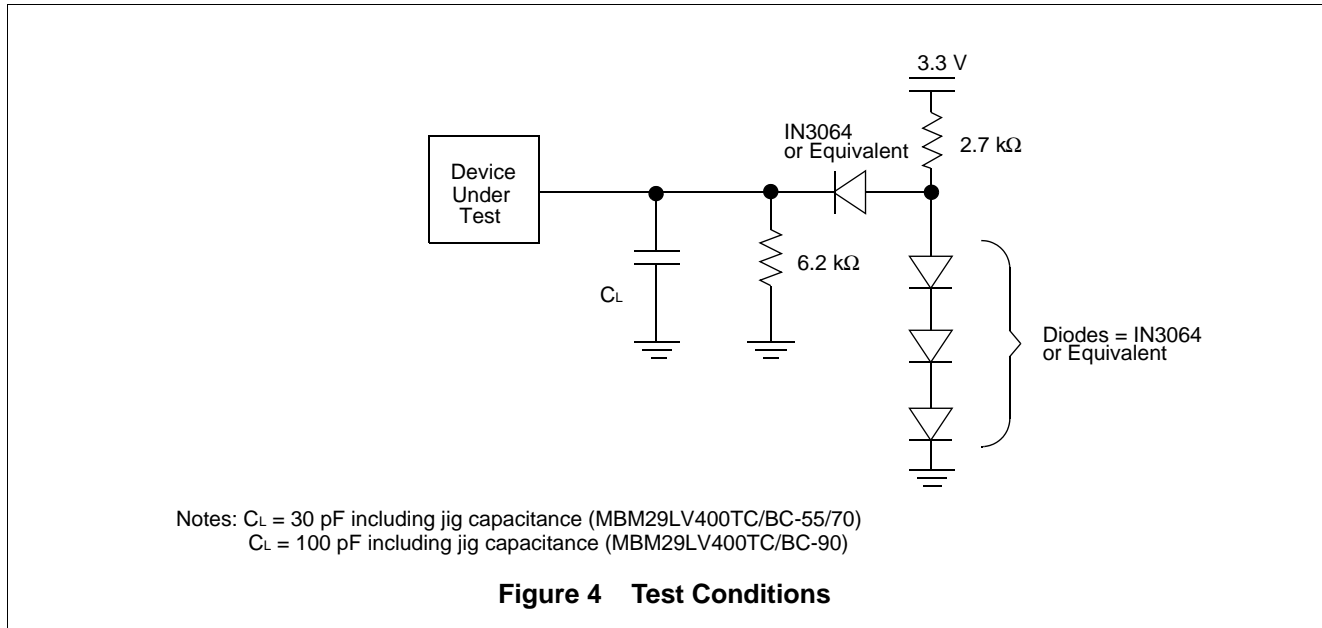
Input rise and fall times: 5 ns

Input pulse levels: 0.0 V or 3.0 V

Timing measurement reference level

Input: 1.5 V

Output: 1.5 V



MBM29LV400TC-55/70/90/MBM29LV400BC-55/70/90

• Write/Erase/Program Operations

Parameter	Symbol		-55			-70			-90			Unit
	JEDEC	Standard	Min	Typ	Max	Min	Typ	Max	Min	Typ	Max	
Write Cycle Time	t _{AVAV}	t _{WC}	55	—	—	70	—	—	90	—	—	ns
Address Setup Time	t _{AVWL}	t _{AS}	0	—	—	0	—	—	0	—	—	ns
Address Hold Time	t _{WLAX}	t _{AH}	45	—	—	45	—	—	45	—	—	ns
Data Setup Time	t _{DVWH}	t _{DS}	30	—	—	35	—	—	45	—	—	ns
Data Hold Time	t _{WHDX}	t _{DH}	0	—	—	0	—	—	0	—	—	ns
Output Enable Setup Time	—	t _{OES}	0	—	—	0	—	—	0	—	—	ns
Output Enable Hold Time	Read	t _{OEH}	0	—	—	0	—	—	0	—	—	ns
	Toggle and Data Polling		10	—	—	10	—	—	10	—	—	ns
Read Recover Time Before Write	t _{GHWL}	t _{GHWL}	0	—	—	0	—	—	0	—	—	ns
Read Recover Time Before Write	t _{GHEL}	t _{GHEL}	0	—	—	0	—	—	0	—	—	ns
\overline{CE} Setup Time	t _{ELWL}	t _{CS}	0	—	—	0	—	—	0	—	—	ns
\overline{WE} Setup Time	t _{WLEL}	t _{WS}	0	—	—	0	—	—	0	—	—	ns
\overline{CE} Hold Time	t _{WHEH}	t _{CH}	0	—	—	0	—	—	0	—	—	ns
\overline{WE} Hold Time	t _{EHWH}	t _{WH}	0	—	—	0	—	—	0	—	—	ns
Write Pulse Width	t _{WLWH}	t _{WP}	30	—	—	35	—	—	45	—	—	ns
\overline{CE} Pulse Width	t _{ELEH}	t _{CP}	30	—	—	35	—	—	45	—	—	ns
Write Pulse Width High	t _{WHWL}	t _{WPH}	25	—	—	25	—	—	25	—	—	ns
\overline{CE} Pulse Width High	t _{EHEL}	t _{CPH}	25	—	—	25	—	—	25	—	—	ns
Programming Operation	Byte	t _{WHWH1}	—	8	—	—	8	—	—	8	—	μs
	Word		—	16	—	—	16	—	—	16	—	μs
Sector Erase Operation *1	t _{WHWH2}	t _{WHWH2}	—	1	—	—	1	—	—	1	—	s
V _{CC} Setup Time	—	t _{VCS}	50	—	—	50	—	—	50	—	—	μs
Rise Time to V _{ID} *2	—	t _{VIDR}	500	—	—	500	—	—	500	—	—	ns
Voltage Transition Time *2	—	t _{VLHT}	4	—	—	4	—	—	4	—	—	μs
Write Pulse Width *2	—	t _{WPP}	100	—	—	100	—	—	100	—	—	μs
\overline{OE} Setup Time to \overline{WE} Active *2	—	t _{OESP}	4	—	—	4	—	—	4	—	—	μs
\overline{CE} Setup Time to \overline{WE} Active *2	—	t _{CSP}	4	—	—	4	—	—	4	—	—	μs
Recover Time From RY/ \overline{BY}	—	t _{RB}	0	—	—	0	—	—	0	—	—	ns
\overline{RESET} Pulse Width	—	t _{RP}	500	—	—	500	—	—	500	—	—	ns
\overline{RESET} Hold Time Before Read	—	t _{RH}	200	—	—	200	—	—	200	—	—	ns
\overline{BYTE} Switching Low to Output High-Z	—	t _{FLQZ}	—	—	25	—	—	25	—	—	30	ns
\overline{BYTE} Switching High to Output Active	—	t _{FHQV}	—	—	55	—	—	70	—	—	90	ns
Program/Erase Valid to RY/ \overline{BY} Delay	—	t _{BUSY}	—	—	90	—	—	90	—	—	90	ns
Delay Time from Embedded Output Enable	—	t _{EOE}	—	—	55	—	—	70	—	—	90	ns

*1: This does not include the preprogramming time.

*2: This timing is for Sector Protection operation.

■ ERASE AND PROGRAMMING PERFORMANCE

Parameter	Limits			Unit	Comments
	Min	Typ	Max		
Sector Erase Time	—	1	10	s	Excludes programming time prior to erasure
Word Programming Time	—	16	360	μs	Excludes system-level overhead
Byte Programming Time	—	8	300	μs	
Chip Programming Time	—	4.2	12.5	s	Excludes system-level overhead
Program/Erase Cycle	100,000	—	—	cycle	—

■ TSOP(1) PIN CAPACITANCE

Parameter Symbol	Parameter Description	Test Setup	Typ	Max	Unit
C _{IN}	Input Capacitance	V _{IN} = 0	7.5	9	pF
C _{OUT}	Output Capacitance	V _{OUT} = 0	8	10	pF
C _{IN2}	Control Pin Capacitance	V _{IN} = 0	9.5	12.5	pF

Notes: • Test conditions T_A = + 25°C, f = 1.0 MHz
 • DQ₁₅/A-1 pin capacitance is stipulated by output capacitance.

■ SOP PIN CAPACITANCE

Parameter Symbol	Parameter Description	Test Setup	Typ	Max	Unit
C _{IN}	Input Capacitance	V _{IN} = 0	7.5	9	pF
C _{OUT}	Output Capacitance	V _{OUT} = 0	8	10	pF
C _{IN2}	Control Pin Capacitance	V _{IN} = 0	9.5	12.5	pF

Notes: • Test conditions T_A = + 25°C, f = 1.0 MHz
 • DQ₁₅/A-1 pin capacitance is stipulated by output capacitance.

■ CSOP PIN CAPACITANCE

Parameter Symbol	Parameter Description	Test Setup	Typ	Max	Unit
C _{IN}	Input Capacitance	V _{IN} = 0	7.5	9	pF
C _{OUT}	Output Capacitance	V _{OUT} = 0	8	10	pF
C _{IN2}	Control Pin Capacitance	V _{IN} = 0	9.5	12.5	pF

Notes: • Test conditions T_A = + 25°C, f = 1.0 MHz
 • DQ₁₅/A-1 pin capacitance is stipulated by output capacitance.

MBM29LV400TC-55/70/90/MBM29LV400BC-55/70/90

■ FBGA PIN CAPACITANCE

Parameter Symbol	Parameter Description	Test Setup	Typ	Max	Unit
C _{IN}	Input Capacitance	V _{IN} = 0	7.5	9	pF
C _{OUT}	Output Capacitance	V _{OUT} = 0	8	10	pF
C _{IN2}	Control Pin Capacitance	V _{IN} = 0	9.5	12.5	pF

Notes: • Test conditions T_A = + 25°C, f = 1.0 MHz
• DQ₁₅/A-1 pin capacitance is stipulated by output capacitance.

■ SCSP PIN CAPACITANCE

Parameter Symbol	Parameter Description	Test Setup	Typ	Max	Unit
C _{IN}	Input Capacitance	V _{IN} = 0	7.5	9	pF
C _{OUT}	Output Capacitance	V _{OUT} = 0	8	10	pF
C _{IN2}	Control Pin Capacitance	V _{IN} = 0	9.5	12.5	pF

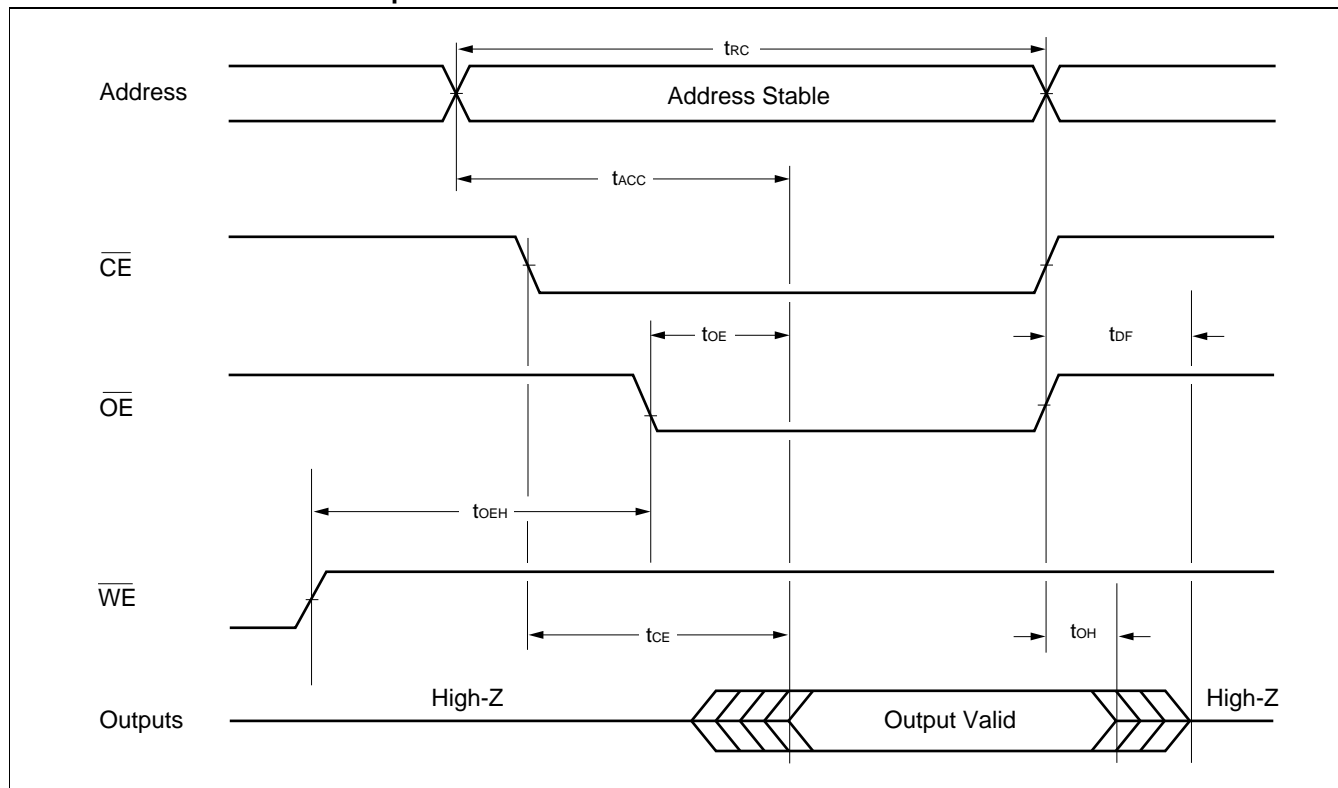
Notes: • Test conditions T_A = + 25°C, f = 1.0 MHz
• DQ₁₅/A-1 pin capacitance is stipulated by output capacitance.

■ TIMING DIAGRAM

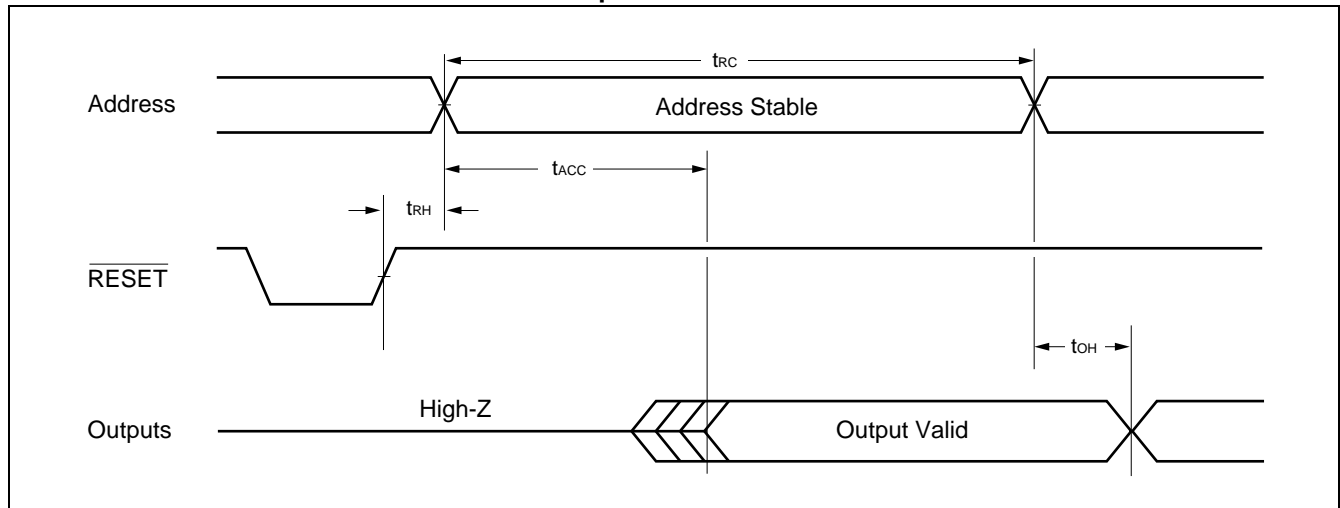
- Key to Timing Diagram

WAVEFORM	INPUTS	OUTPUTS
	Must Be Steady	Will Be Steady
	May Change from H to L	Will Be Changing from H to L
	May Change from L to H	Will Be Changing from L to H
	"H" or "L" Any Change Permitted	Changing State Unknown
	Does Not Apply	Center Line is High-Impedance "Off" State

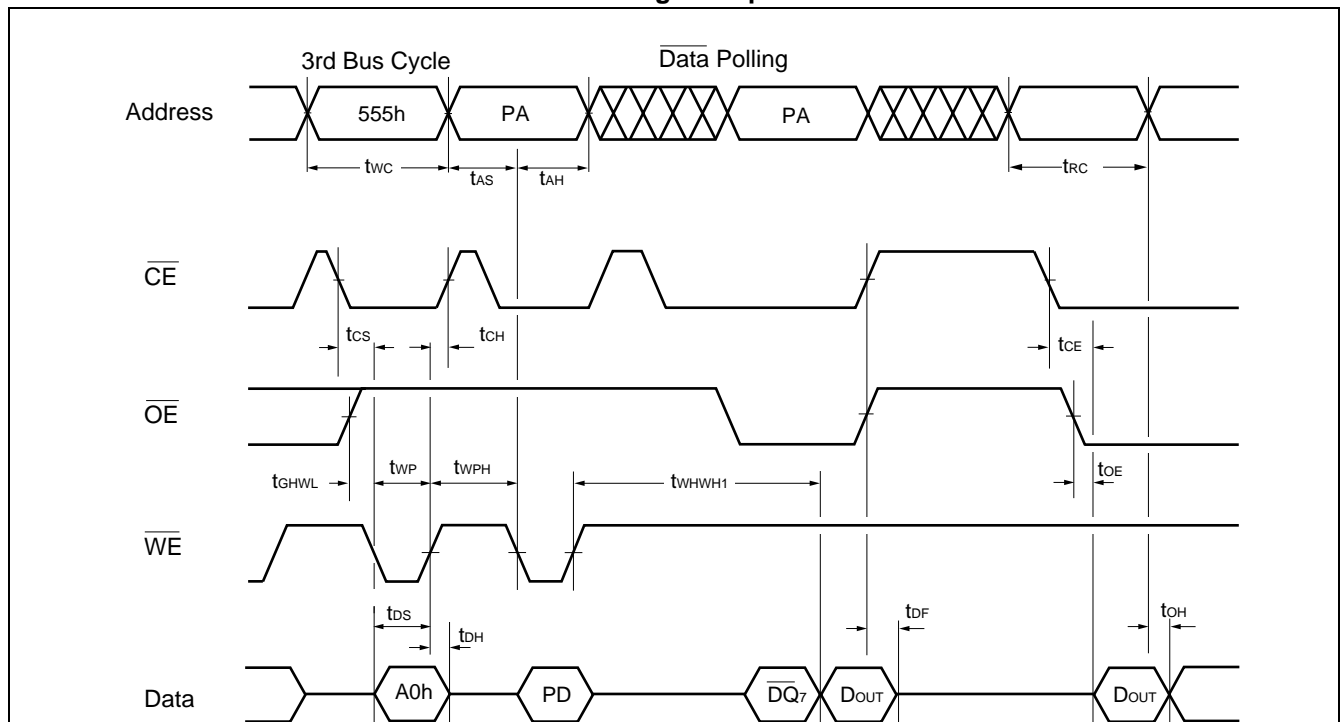
1. AC Waveforms for Read Operations



2. AC Waveforms for Hardware Reset/Read Operations

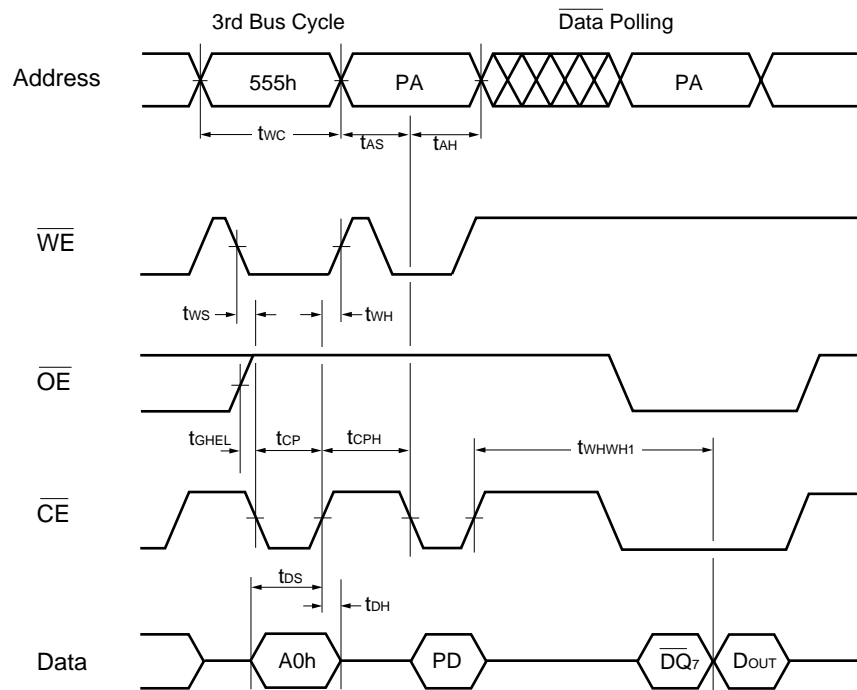


3. AC Waveforms for Alternate \overline{WE} Controlled Program Operations



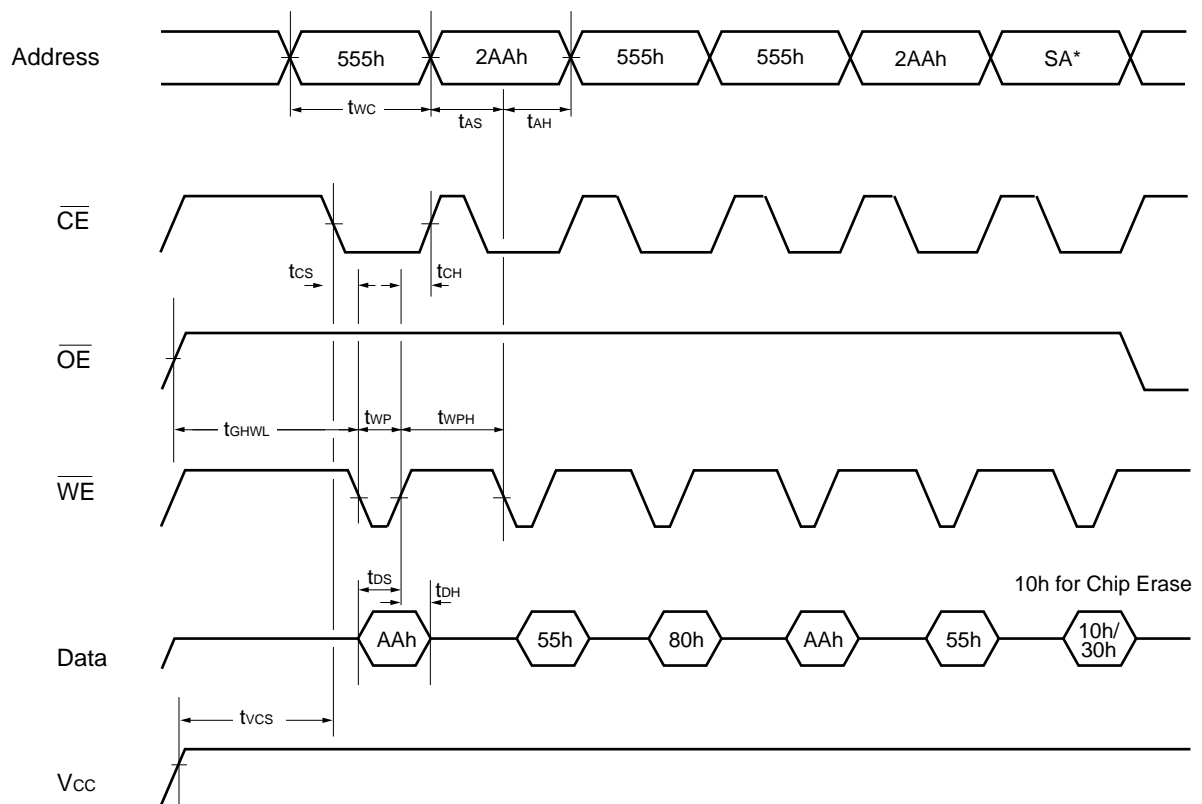
- Notes:**
- PA is address of the memory location to be programmed.
 - PD is data to be programmed at byte address.
 - \overline{DQ}_7 is the output of the complement of the data written to the device.
 - DOUT is the output of the data written to the device.
 - Figure indicates last two bus cycles out of four bus cycle sequence.
 - These waveforms are for the $\times 16$ mode. The addresses differ from $\times 8$ mode.

4. AC Waveforms for Alternate $\overline{\text{CE}}$ Controlled Program Operations



- Notes:**
- PA is address of the memory location to be programmed.
 - PD is data to be programmed at byte address.
 - $\overline{\text{DQ}}_7$ is the output of the complement of the data written to the device.
 - D_{OUT} is the output of the data written to the device.
 - Figure indicates last two bus cycles out of four bus cycle sequence.
 - These waveforms are for the $\times 16$ mode. The addresses differ from $\times 8$ mode.

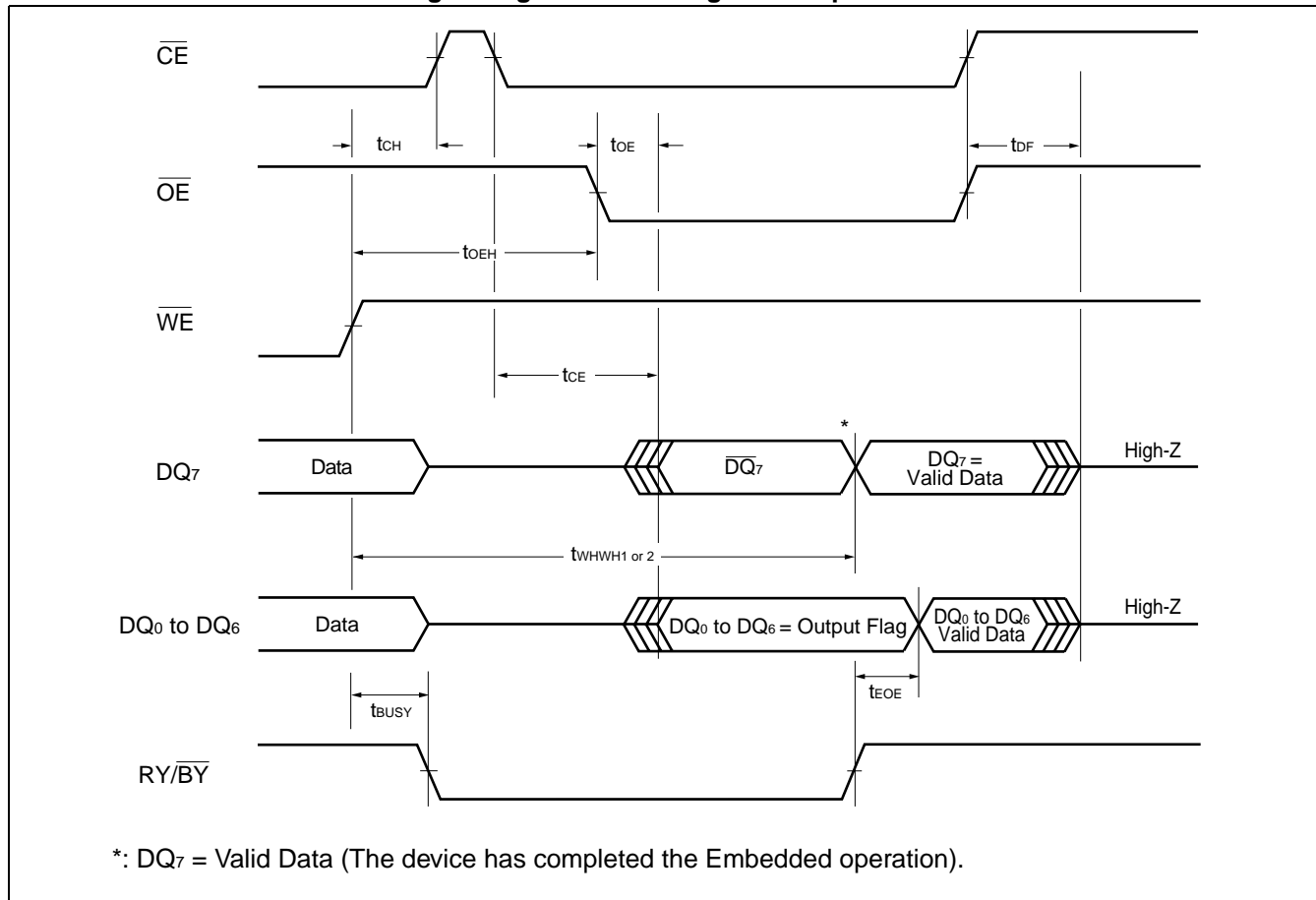
5. AC Waveforms Chip/Sector Erase Operations



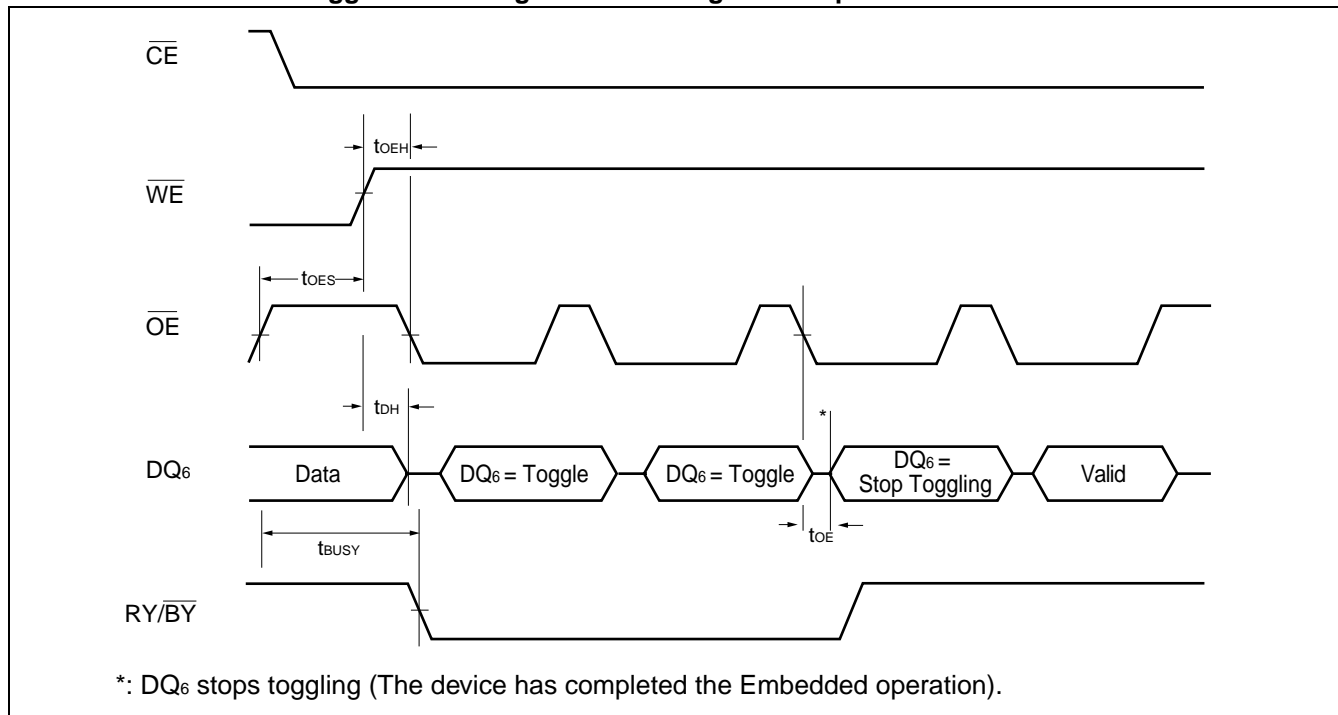
* : SA is the sector address for Sector Erase. Addresses = 555h (Word), AAh (Byte) for Chip Erase.

Note : These waveforms are for the $\times 16$ mode. The addresses differ from $\times 8$ mode.

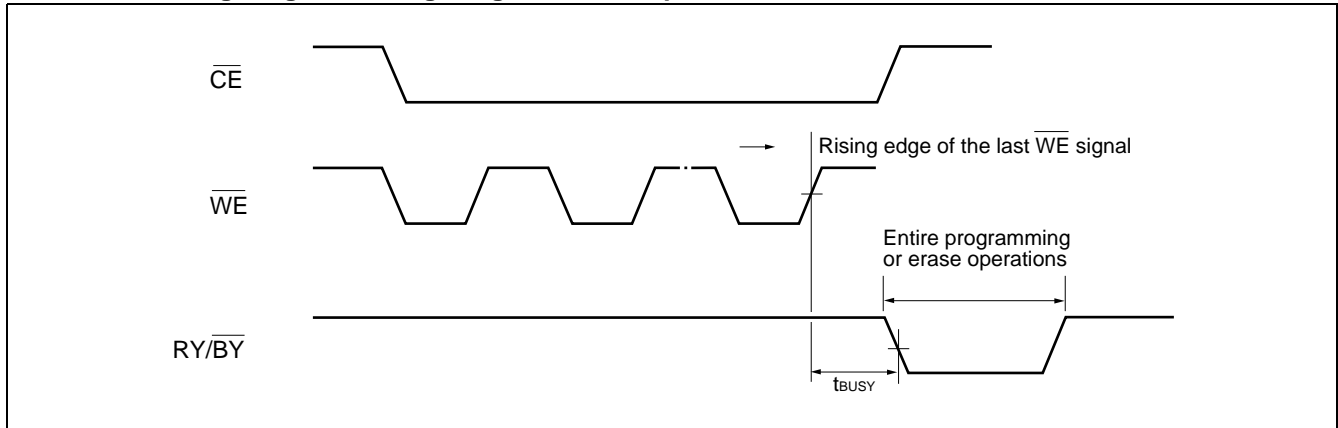
6. AC Waveforms for Data Polling during Embedded Algorithm Operations



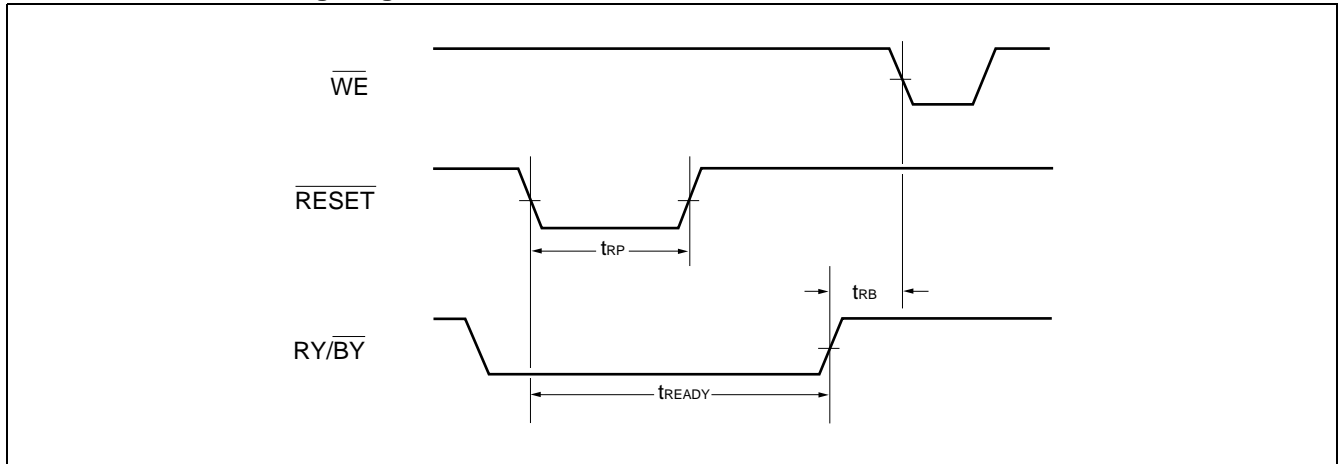
7. AC Waveforms for Toggle Bit I during Embedded Algorithm Operations



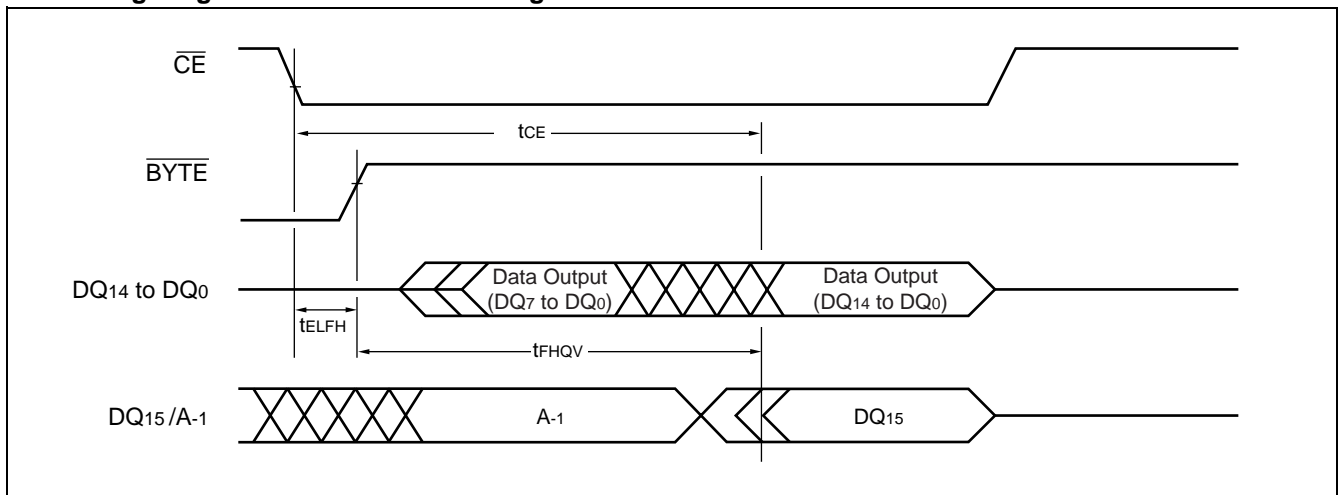
8. RY/ $\overline{\text{BY}}$ Timing Diagram during Program/Erase Operations



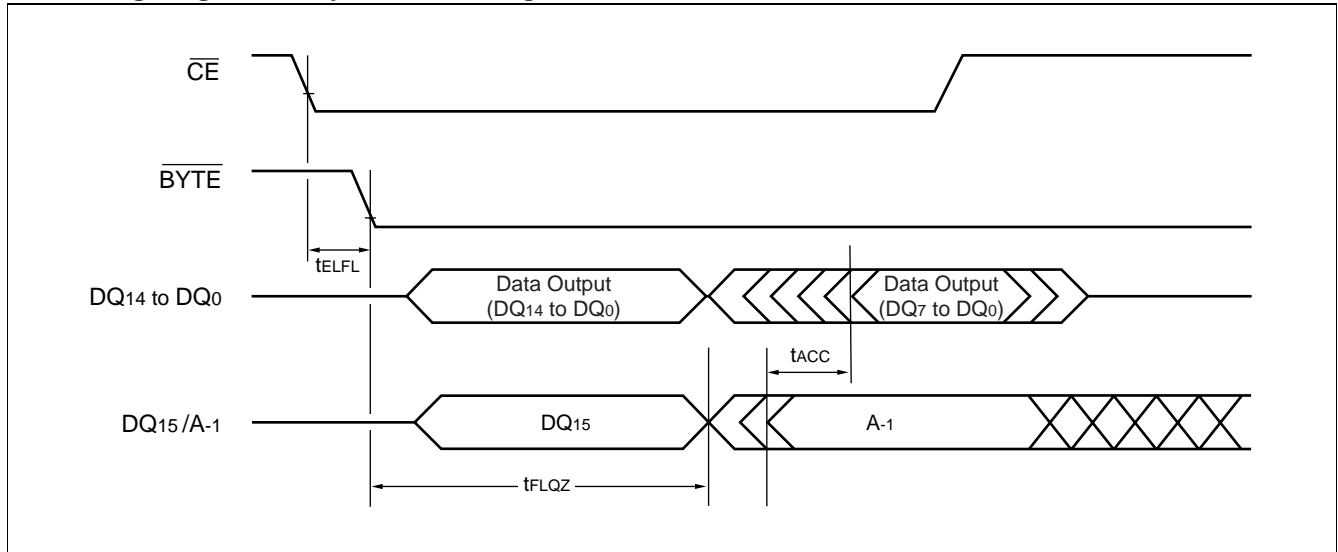
9. $\overline{\text{RESET}}/\text{RY}/\overline{\text{BY}}$ Timing Diagram



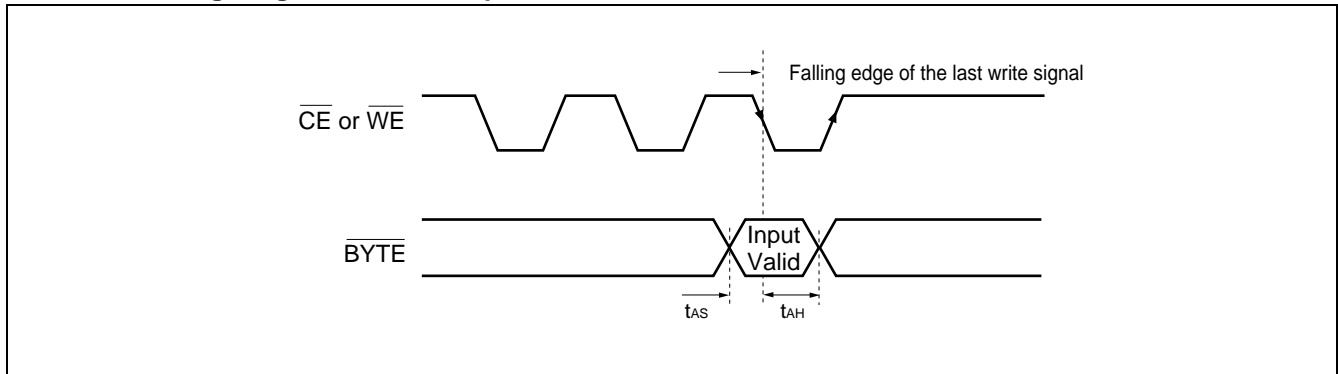
10. Timing Diagram for Word Mode Configuration



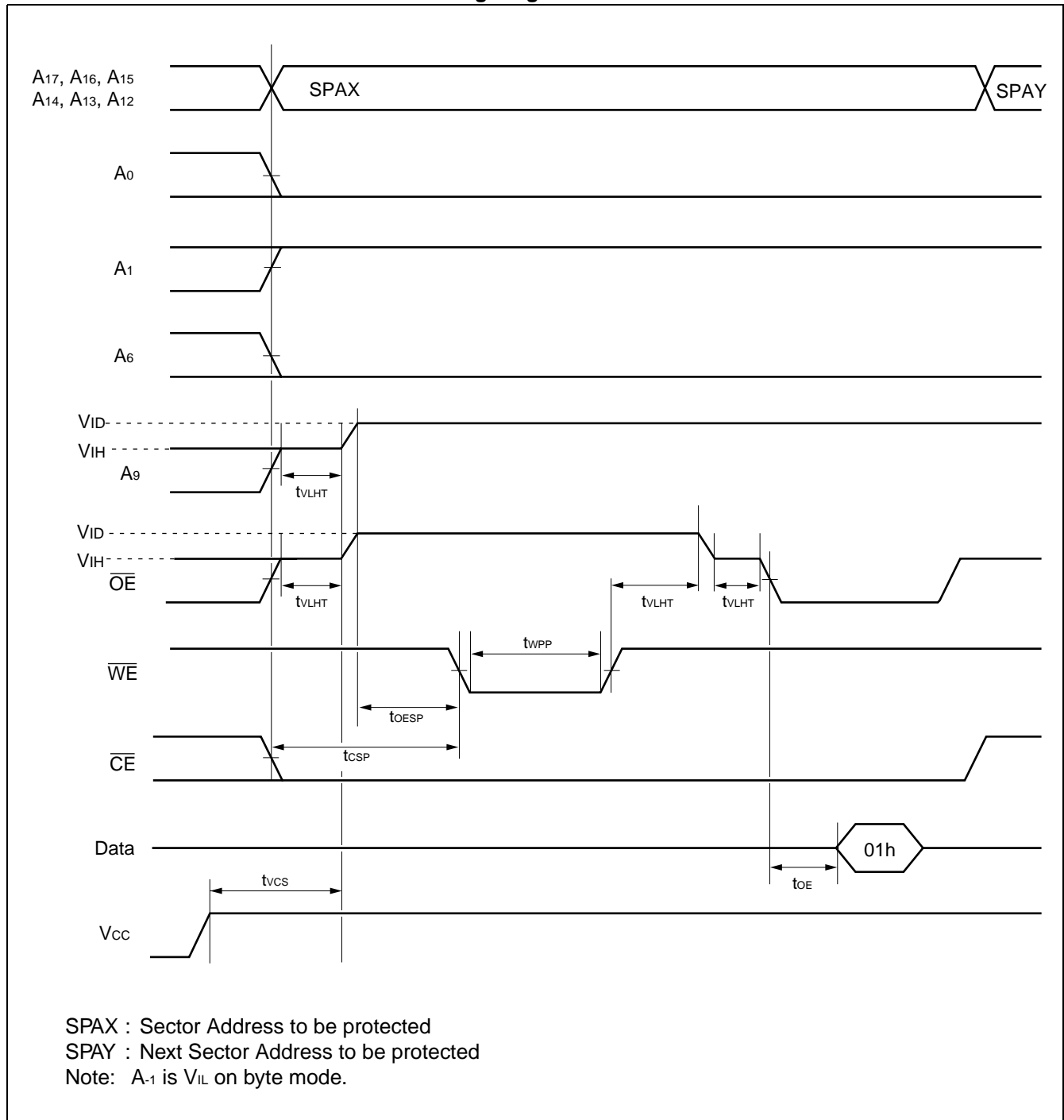
11. Timing Diagram for Byte Mode Configuration



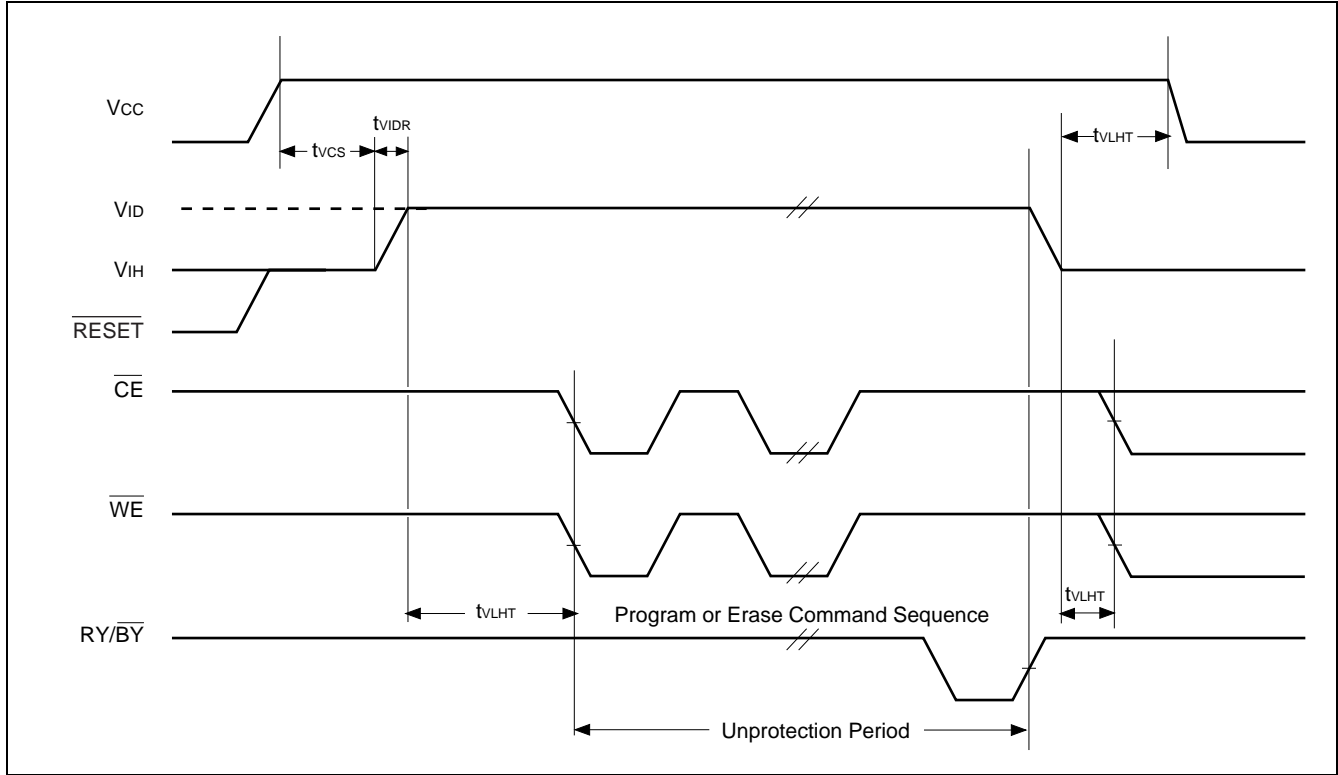
12. BYTE Timing Diagram for Write Operations



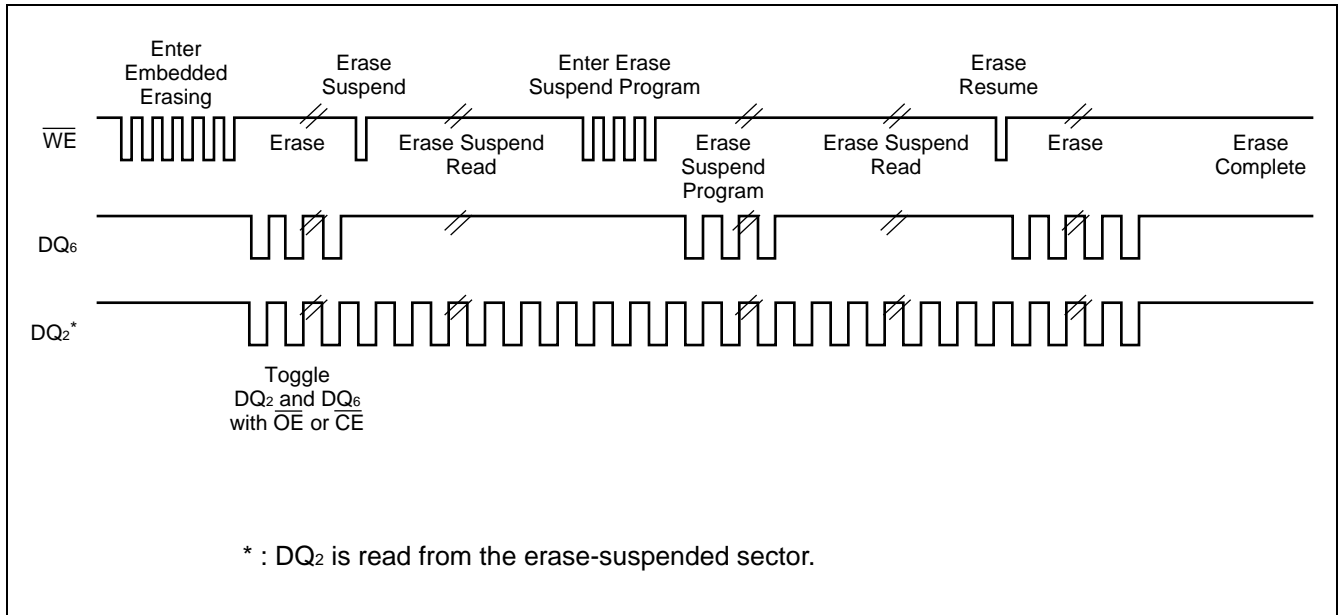
13. AC Waveforms for Sector Protection Timing Diagram



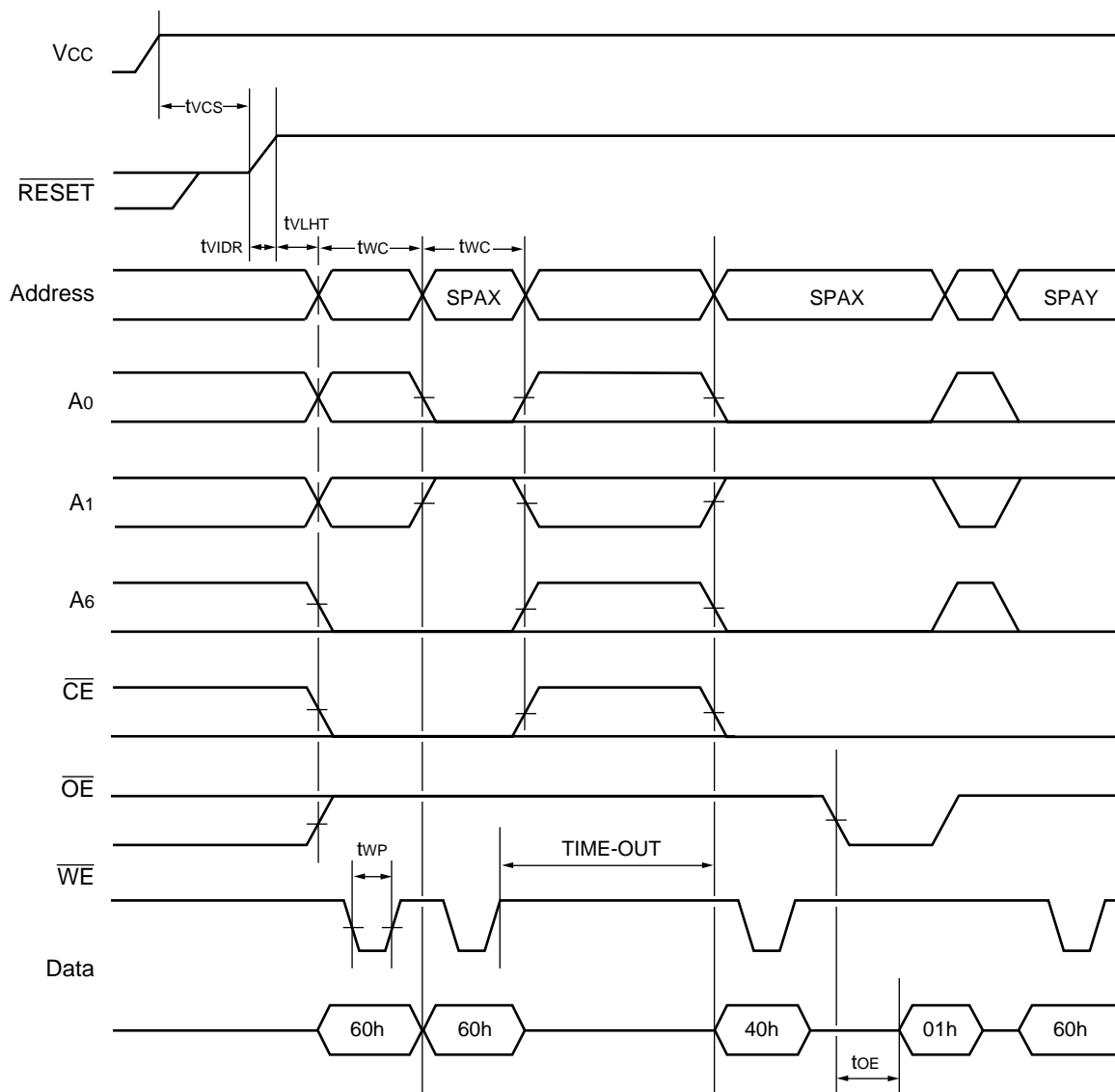
14. Temporary Sector Unprotection Timing Diagram



15. DQ₂ vs. DQ₆



16. Extended Sector Protection Timing Diagram

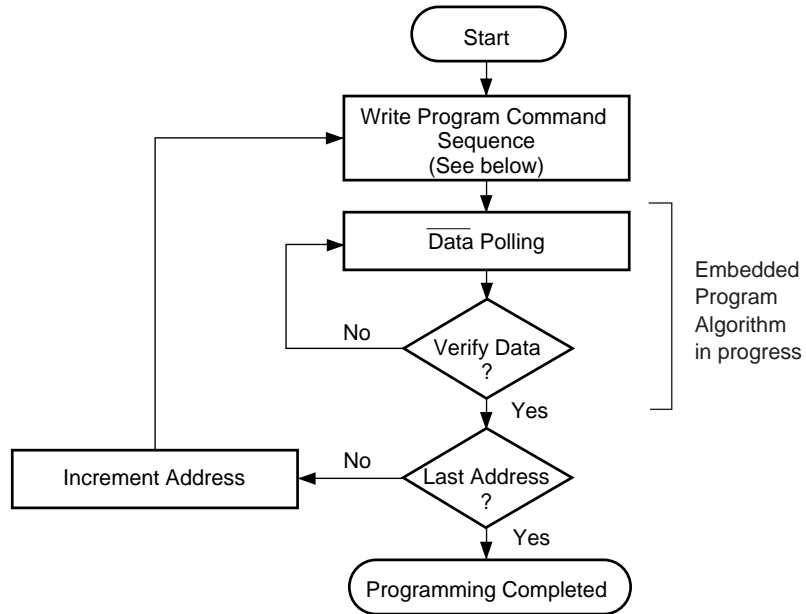


SPAX: Sector Address to be protected
 SPAY : Next Sector Address to be protected
 TIME-OUT : Time-Out window = 150 μ s (Min)

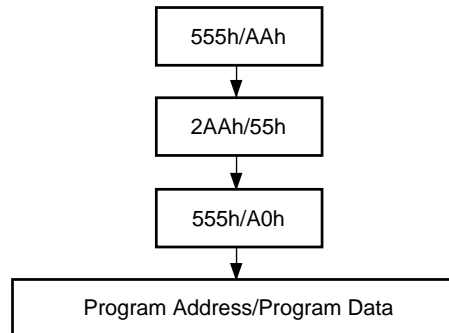
■ FLOW CHART

1. Embedded Program™ Algorithm

EMBEDDED ALGORITHM



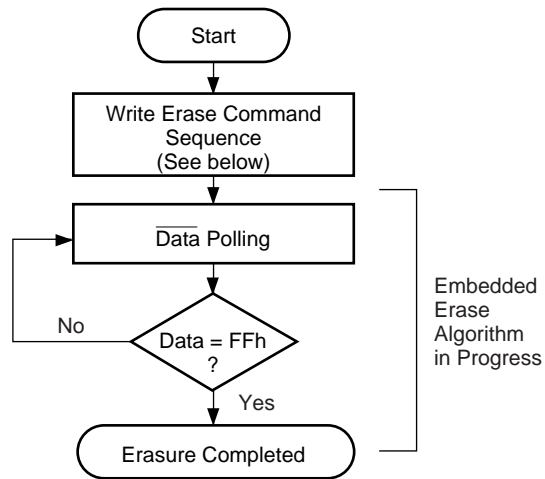
Program Command Sequence (Address/Command):



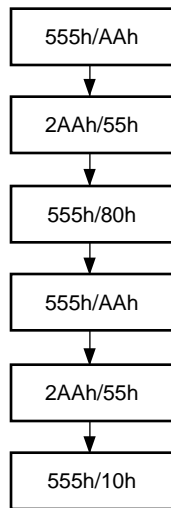
- Notes :
- The sequence is applied for $\times 16$ mode.
 - The addresses differ from $\times 8$ mode.

2. Embedded Erase™ Algorithm

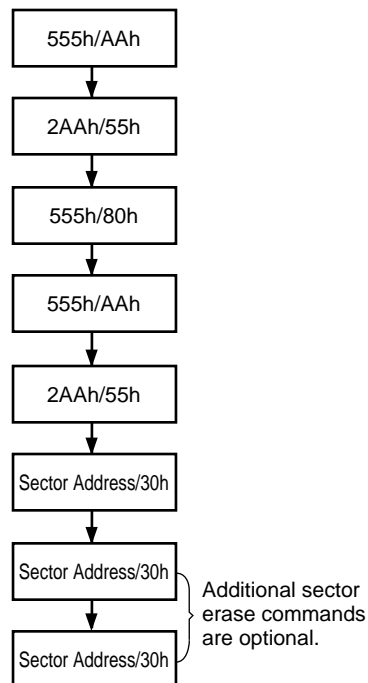
EMBEDDED ALGORITHM



Chip Erase Command Sequence (Address/Command):

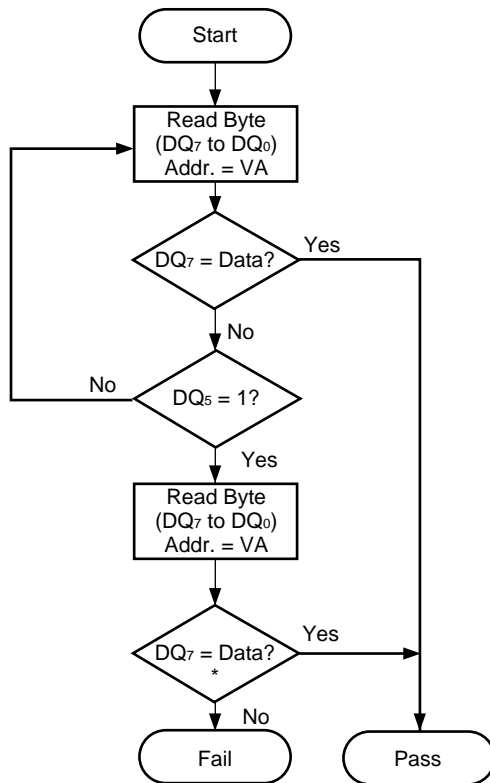


Individual Sector/Multiple Sector Erase Command Sequence (Address/Command):



- Notes :
- The sequence is applied for × 16 mode.
 - The addresses differ from × 8 mode.

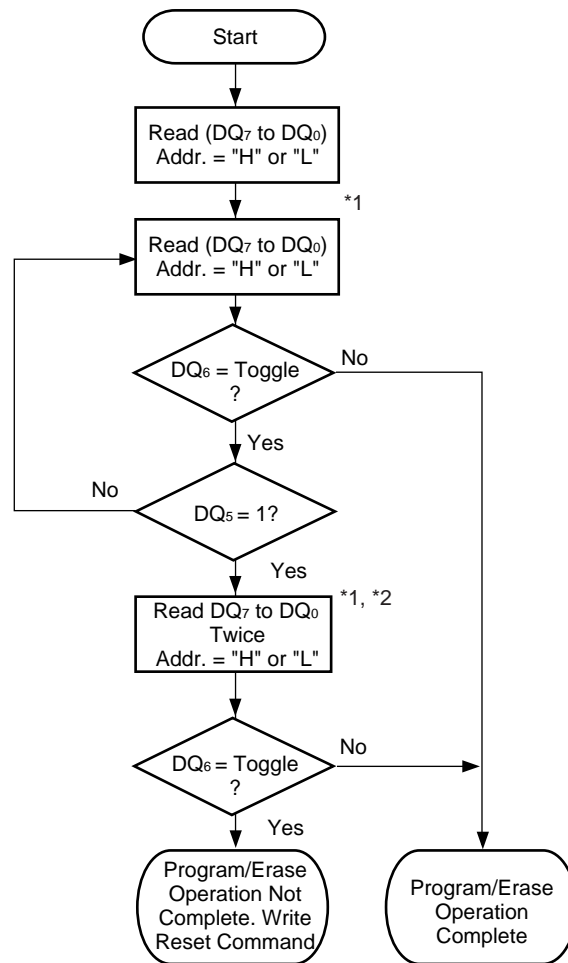
3. Data Polling Algorithm



VA = Byte address for programming
 = Any of the sector addresses within the sector being erased during sector erase or multiple sector erases operation
 = Any of the sector addresses within the sector not being protected during chip erase operation

* : DQ₇ is rechecked even if DQ₅ = "1" because DQ₇ may change simultaneously with DQ₅.

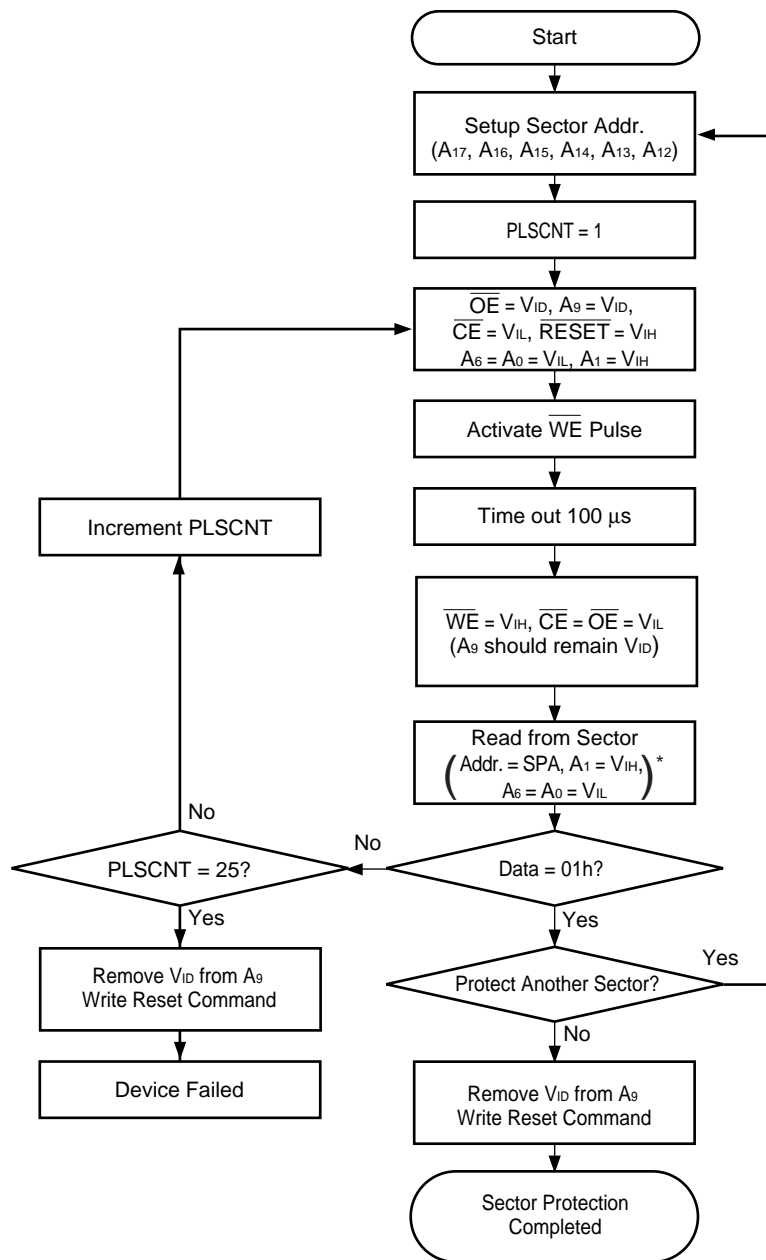
4. Toggle Bit Algorithm



*1 : Read toggle bit twice to determine whether it is toggling.

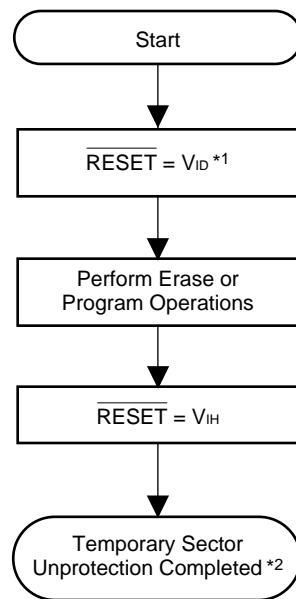
*2 : Recheck toggle bit because it may stop toggling as DQ₅ changes to "1".

5. Sector Protection Algorithm



*: A-1 is V_{IL} on byte mode.

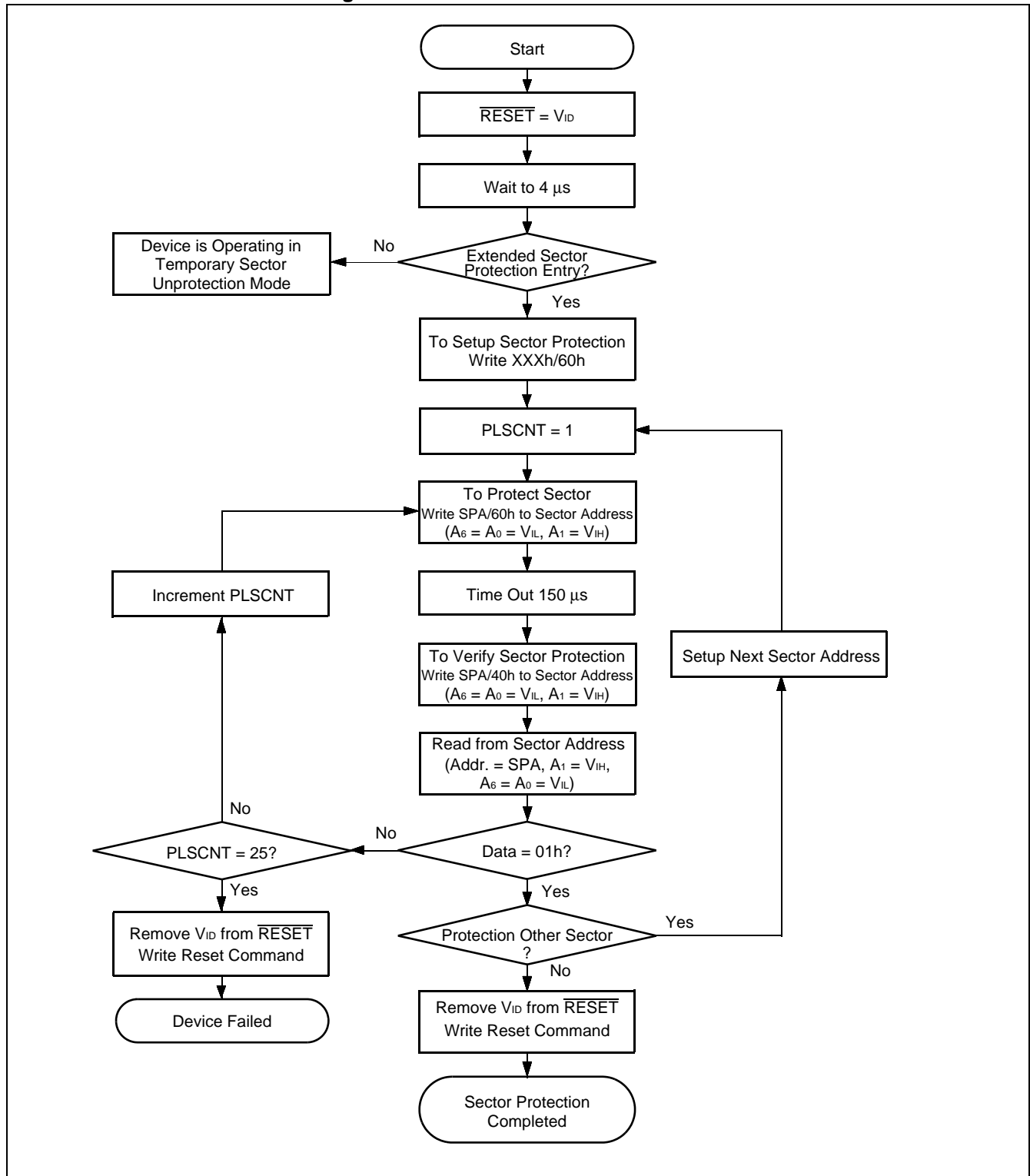
6. Temporary Sector Unprotection Algorithm



*1: All protected sectors are unprotected.

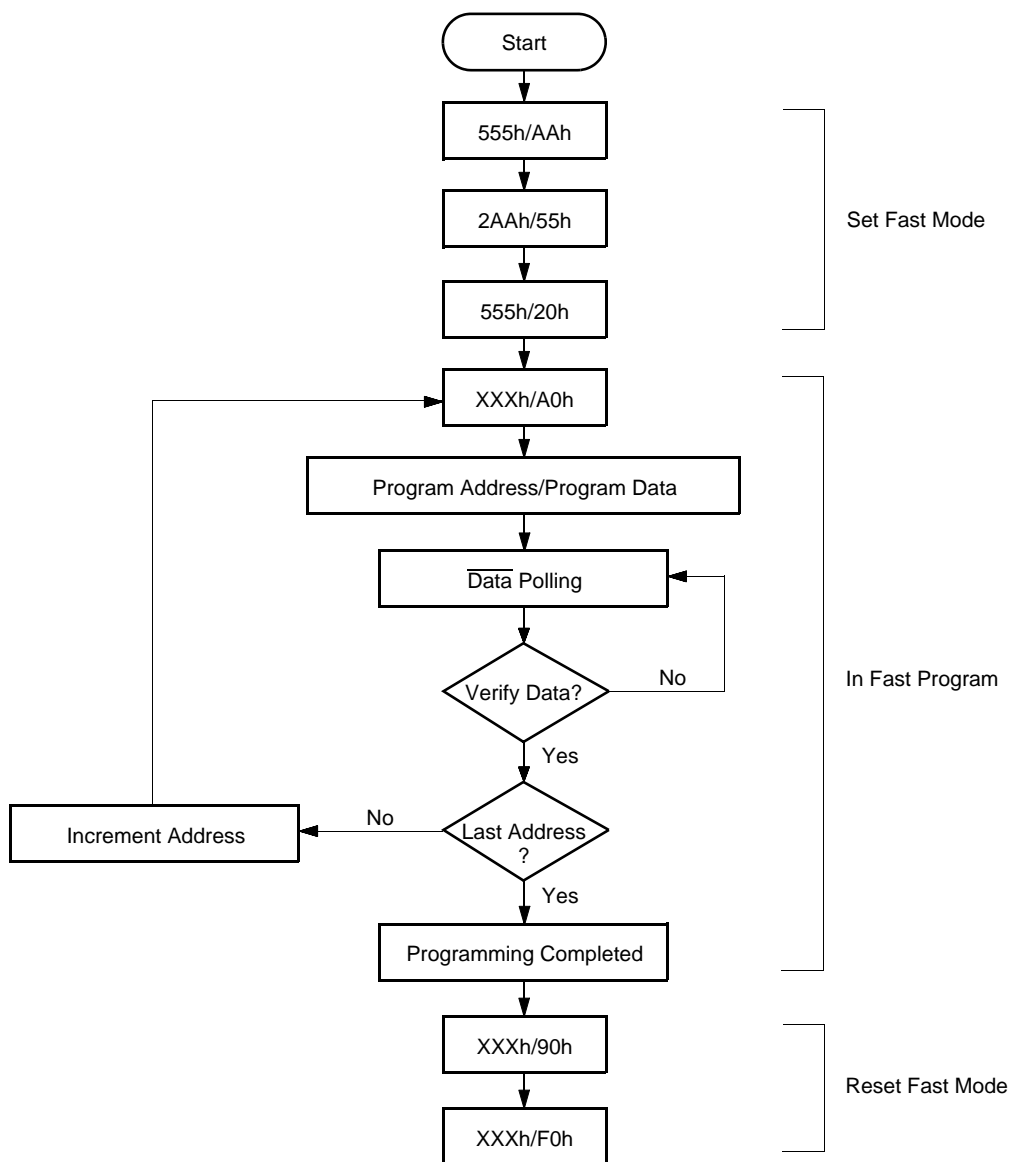
*2: All previously protected sectors are protected once again.

7. Extended Sector Protection Algorithm



8. Embedded Program™ Algorithm for Fast Mode

FAST MODE ALGORITHM



- Notes :
- The sequence is applied for × 16 mode.
 - The addresses differ from × 8 mode.

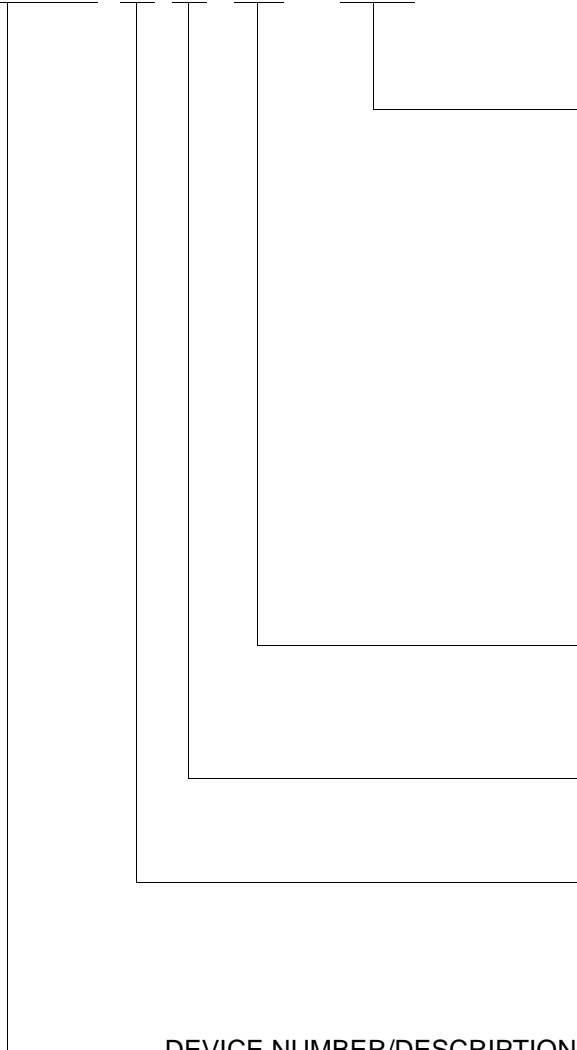
MBM29LV400TC-55/70/90/MBM29LV400BC-55/70/90

■ ORDERING INFORMATION

Part No.	Package	Access Time	Sector Architecture	Remarks
MBM29LV400TC-55PF MBM29LV400TC-70PF MBM29LV400TC-90PF	44-pin plastic SOP (FPT-44P-M16)	55 70 90	Top Sector	
MBM29LV400TC-55PFTN MBM29LV400TC-70PFTN MBM29LV400TC-90PFTN	48-pin plastic TSOP (1) (FPT-48P-M19) (Normal Bend)	55 70 90		
MBM29LV400TC-55PFTR MBM29LV400TC-70PFTR MBM29LV400TC-90PFTR	48-pin plastic TSOP (1) (FPT-48P-M20) (Reverse Bend)	55 70 90		
MBM29LV400TC-55PCV MBM29LV400TC-70PCV MBM29LV400TC-90PCV	48-pin plastic CSOP (LCC-48P-M03)	55 70 90		
MBM29LV400TC-55PBT MBM29LV400TC-70PBT MBM29LV400TC-90PBT	48-pin plastic FBGA (BGA-48P-M11)	55 70 90		
MBM29LV400TC-55PW MBM29LV400TC-70PW MBM29LV400TC-90PW	48-pin plastic SCSP (WLP-48P-M02)	55 70 90		
MBM29LV400BC-55PF MBM29LV400BC-70PF MBM29LV400BC-90PF	44-pin plastic SOP (FPT-44P-M16)	55 70 90		
MBM29LV400BC-55PFTN MBM29LV400BC-70PFTN MBM29LV400BC-90PFTN	48-pin plastic TSOP (1) (FPT-48P-M19) (Normal Bend)	55 70 90		
MBM29LV400BC-55PFTR MBM29LV400BC-70PFTR MBM29LV400BC-90PFTR	48-pin plastic TSOP (1) (FPT-48P-M20) (Reverse Bend)	55 70 90		
MBM29LV400BC-55PCV MBM29LV400BC-70PCV MBM29LV400BC-90PCV	48-pin plastic CSOP (LCC-48P-M03)	55 70 90		
MBM29LV400BC-55PBT MBM29LV400BC-70PBT MBM29LV400BC-90PBT	48-pin plastic FBGA (BGA-48P-M11)	55 70 90		
MBM29LV400BC-55PW MBM29LV400BC-70PW MBM29LV400BC-90PW	48-pin plastic SCSP (WLP-48P-M02)	55 70 90		

MBM29LV400TC-55/70/90/MBM29LV400BC-55/70/90

MBM29LV400 T C -55 PFTN



PACKAGE TYPE

PFTN = 48-Pin Thin Small Outline Package (TSOP) Normal Bend

PFTR = 48-Pin Thin Small Outline Package (TSOP) Reverse Bend

PF = 44-Pin Small Outline Package

PCV = 48-Pin C- leaded Small Outline Package (CSOP)

PBT = 48-Ball Fine Pitch Ball Grid Array Package (FBGA)

PW = 48-Ball Super Chip Size Package (SCSP)

SPEED OPTION

See Product Selector Guide

Device Revision

BOOT CODE SECTOR ARCHITECTURE

T = Top sector

B = Bottom sector

DEVELOPER NUMBER/DESCRIPTION

MBM29LV400

4Mega-bit (512K × 8-Bit or 256K × 16-Bit) CMOS Flash Memory

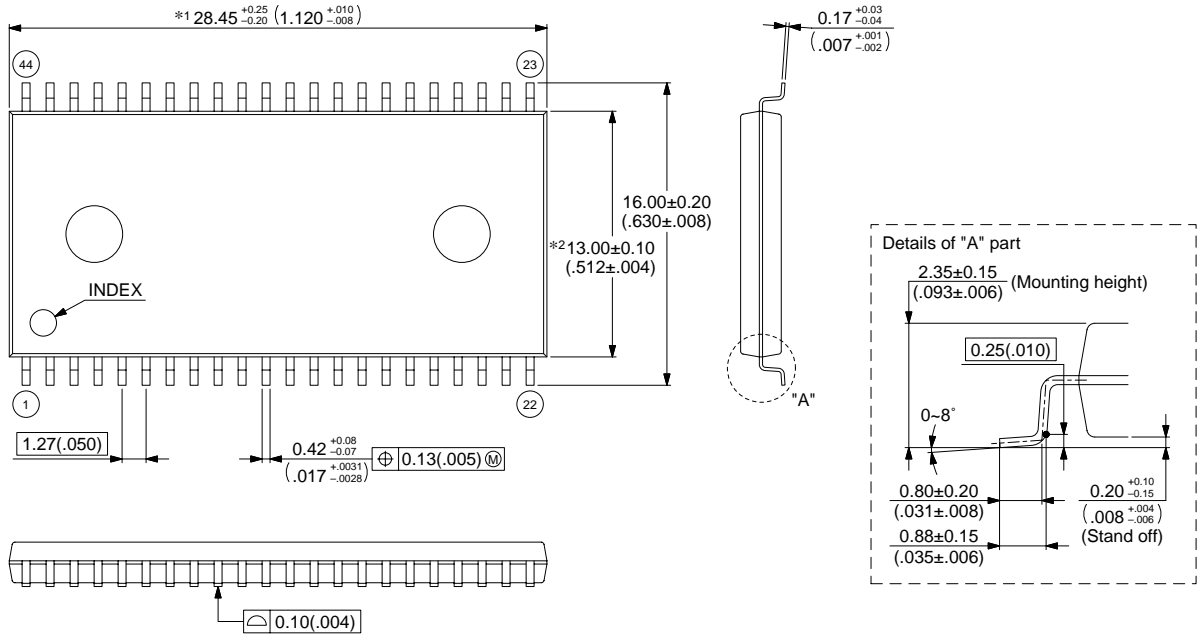
3.0 V-only Read, Program, and Erase

MBM29LV400TC-55/70/90/MBM29LV400BC-55/70/90

■ PACKAGE DIMENSIONS

44-pin plastic SOP
(FPT-44P-M16)

Note 1) *1 : These dimensions include resin protrusion.
 Note 2) *2 : These dimensions do not include resin protrusion.
 Note 3) Pins width and pins thickness include plating thickness.
 Note 4) Pins width do not include tie bar cutting remainder.



© 2002 FUJITSU LIMITED F44023S-c-6-6

Dimensions in mm (inches).

Note: The values in parentheses are reference values.

(Continued)

MBM29LV400TC-55/70/90/MBM29LV400BC-55/70/90

48-pin plastic TSOP(1)
(FPT-48P-M19)

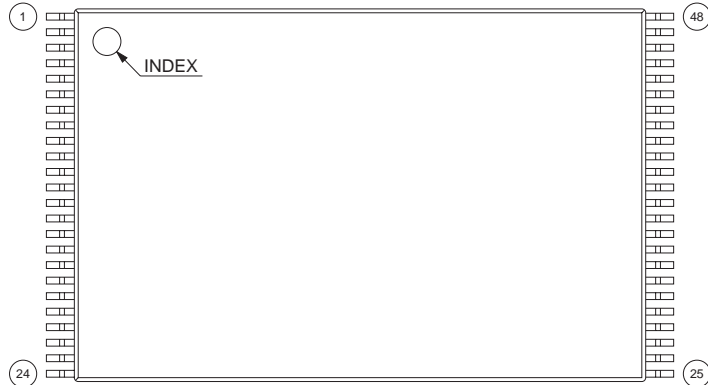
Note 1) * : Values do not include resin protrusion.

Resin protrusion and gate protrusion are + 0.15 (.006) Max (each side) .

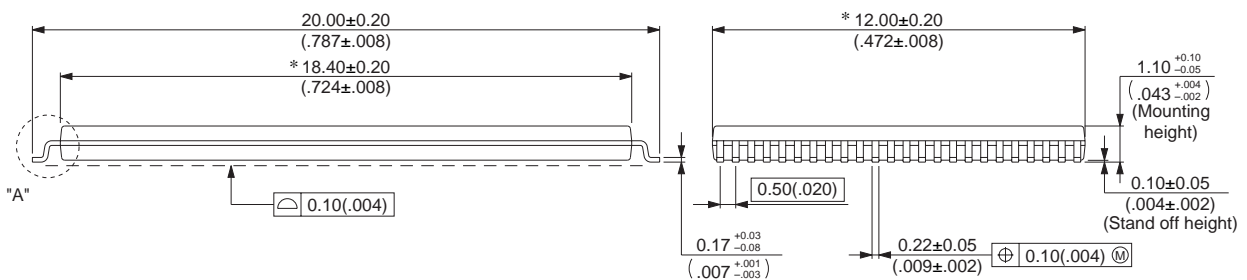
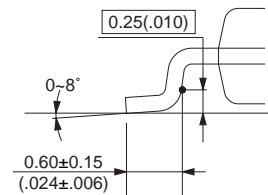
Note 2) Pins width and pins thickness include plating thickness.

Note 3) Pins width do not include tie bar cutting remainder.

LEAD No.



Details of "A" part



© 2003 FUJITSU LIMITED F48029S-c-6-7

Dimensions in mm (inches).

Note: The values in parentheses are reference values.

(Continued)

MBM29LV400TC-55/70/90/MBM29LV400BC-55/70/90

48-pin plastic TSOP(1)
(FPT-48P-M20)

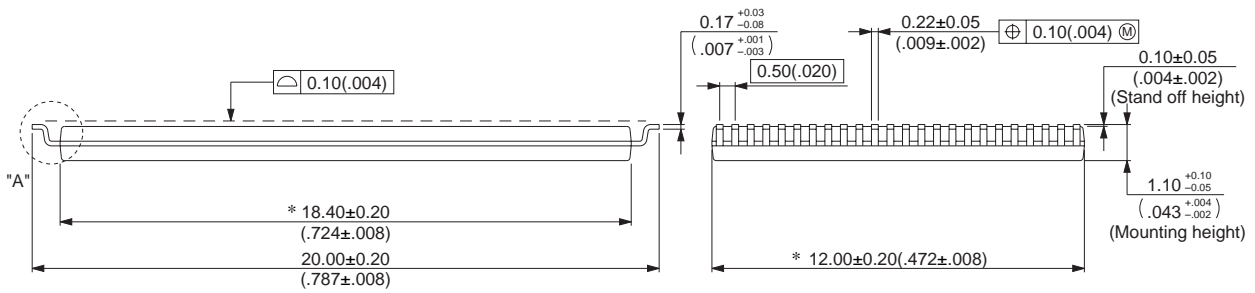
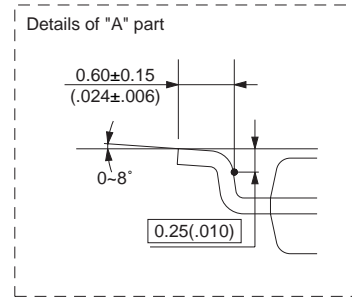
Note 1) * : Values do not include resin protrusion.

Resin protrusion and gate protrusion are + 0.15 (.006) Max (each side) .

Note 2) Pins width and pins thickness include plating thickness.

Note 3) Pins width do not include tie bar cutting remainder.

LEAD No.



© 2003 FUJITSU LIMITED F48030S-c-6-7

Dimensions in mm (inches).

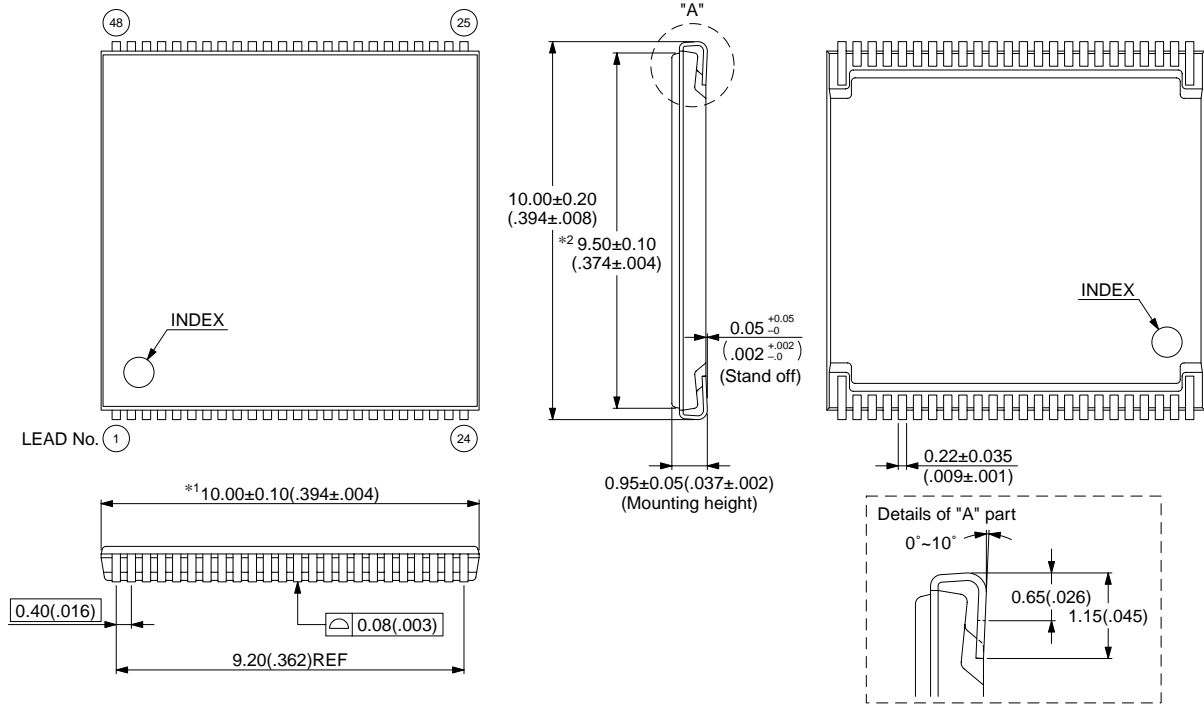
Note: The values in parentheses are reference values.

(Continued)

MBM29LV400TC-55/70/90/MBM29LV400BC-55/70/90

48-pin plastic CSOP
(LCC-48P-M03)

- Note 1) *1 : Resin protrusion. (Each side : +0.15 (.006) Max) .
- Note 2) *2 : These dimensions do not include resin protrusion.
- Note 3) Pins width and pins thickness include plating thickness.
- Note 4) Pins width do not include tie bar cutting remainder.



© 2003 FUJITSU LIMITED C48056S-c-2-2

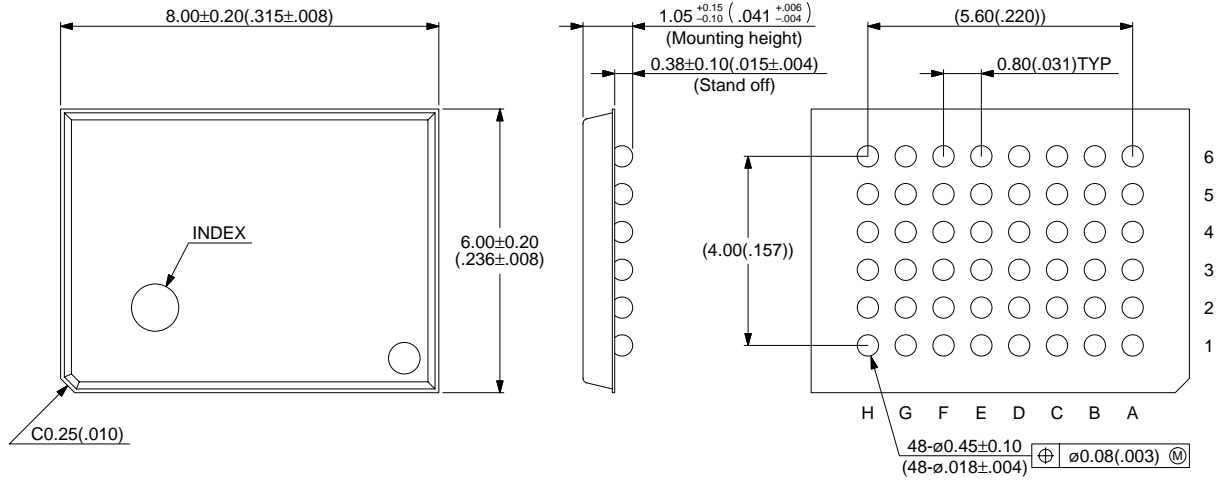
Dimensions in mm (inches).

Note: The values in parentheses are reference values.

(Continued)

MBM29LV400TC-55/70/90/MBM29LV400BC-55/70/90

48-ball plastic FBGA
(BGA-48P-M11)



© 2001 FUJITSU LIMITED B48011S-c-5-3

Dimensions in mm (inches).

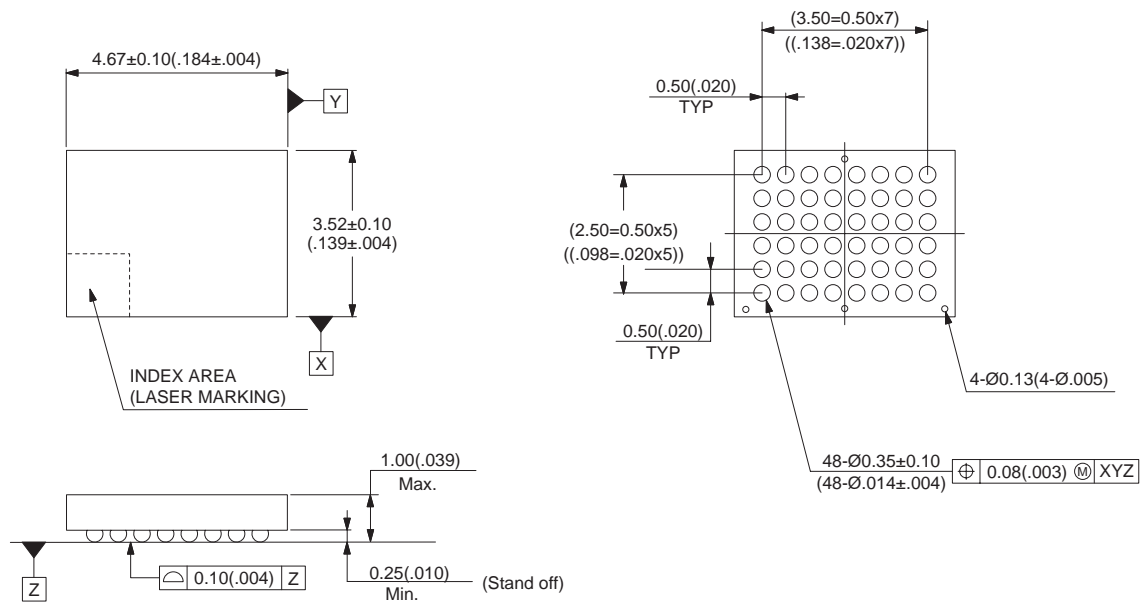
Note: The values in parentheses are reference values.

(Continued)

MBM29LV400TC-55/70/90/MBM29LV400BC-55/70/90

(Continued)

48-pin plastic SCSP
(WLP-48P-M02)



© 2001 FUJITSU LIMITED W48002S-c-1-1

Dimensions in mm (inches).

Note: The values in parentheses are reference values.

FUJITSU LIMITED

All Rights Reserved.

The contents of this document are subject to change without notice. Customers are advised to consult with FUJITSU sales representatives before ordering.

The information, such as descriptions of function and application circuit examples, in this document are presented solely for the purpose of reference to show examples of operations and uses of Fujitsu semiconductor device; Fujitsu does not warrant proper operation of the device with respect to use based on such information. When you develop equipment incorporating the device based on such information, you must assume any responsibility arising out of such use of the information. Fujitsu assumes no liability for any damages whatsoever arising out of the use of the information.

Any information in this document, including descriptions of function and schematic diagrams, shall not be construed as license of the use or exercise of any intellectual property right, such as patent right or copyright, or any other right of Fujitsu or any third party or does Fujitsu warrant non-infringement of any third-party's intellectual property right or other right by using such information. Fujitsu assumes no liability for any infringement of the intellectual property rights or other rights of third parties which would result from the use of information contained herein.

The products described in this document are designed, developed and manufactured as contemplated for general use, including without limitation, ordinary industrial use, general office use, personal use, and household use, but are not designed, developed and manufactured as contemplated (1) for use accompanying fatal risks or dangers that, unless extremely high safety is secured, could have a serious effect to the public, and could lead directly to death, personal injury, severe physical damage or other loss (i.e., nuclear reaction control in nuclear facility, aircraft flight control, air traffic control, mass transport control, medical life support system, missile launch control in weapon system), or (2) for use requiring extremely high reliability (i.e., submersible repeater and artificial satellite).

Please note that Fujitsu will not be liable against you and/or any third party for any claims or damages arising in connection with above-mentioned uses of the products.

Any semiconductor devices have an inherent chance of failure. You must protect against injury, damage or loss from such failures by incorporating safety design measures into your facility and equipment such as redundancy, fire protection, and prevention of over-current levels and other abnormal operating conditions.

If any products described in this document represent goods or technologies subject to certain restrictions on export under the Foreign Exchange and Foreign Trade Law of Japan, the prior authorization by Japanese government will be required for export of those products from Japan.

F0309

© FUJITSU LIMITED Printed in Japan