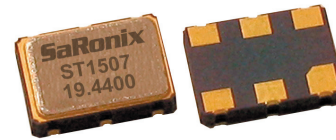


### 5V CMOS/TTL Ultra Low Jitter Voltage Controlled Crystal Oscillator (VCXO)



Actual Size = 5 x 7mm



#### Product Features

- High Q fundamental-mode crystal
- No internal PLL or frequency multiplication
- Very low phase noise
- TTL/HCMOS compatible output
- Commercial and industrial operation
- ±50 ppM stability (or as specified)
- ±50 to ±100 ppM absolute (net) pull range
- RoHS Compliant

#### Product Description

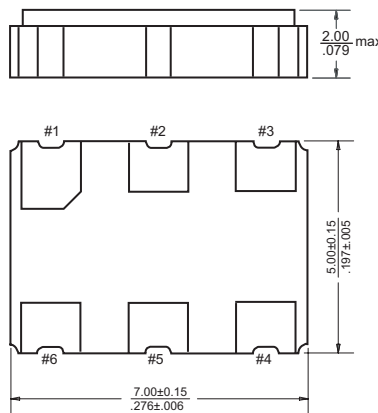
The ST1507 is a voltage controlled crystal oscillator that achieves superb jitter and pullability over a broad range of operating conditions and frequencies. The device is constructed with a hermetically sealed, fundamental-mode quartz crystal resonator exhibiting a high-Q for exceptional phase noise performance. The device, available on tape and reel, is contained in a 5x7mm ceramic package.

#### Applications

The ST1507 Series VCXO is an ideal component in phase locked loop circuits that perform clock smoothing, clock/data recovery, or frequency translation and card synchronization functions, supporting jitter-sensitive applications such as:

- SMPTE-compliant Video networking
- SONET/SDH timing control and line cards
- T1/E1 Platforms
- Satellite and microwave communications

#### Package Outline



#### Pin Functions

Pad	Function
1	Control voltage
2	Output Enable/Disable
3	Ground
4	Output
5	No Connect
6	Supply voltage

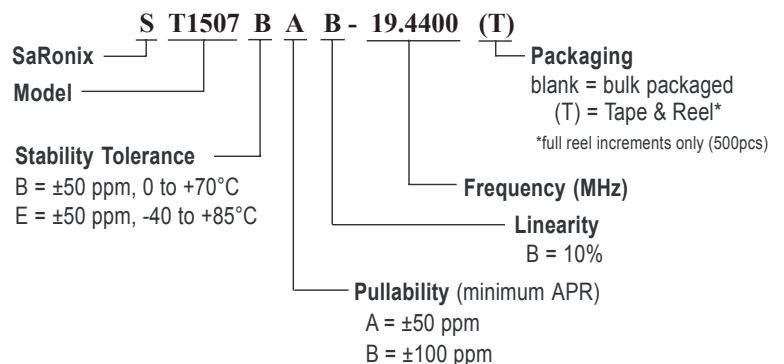
Full Mechanical Drawings page 6. Dimensions are in mm/inches.

#### Common Frequencies

Contact SaRonix for additional frequencies

1.5440	14.7456	20.4800
2.0480	15.0000	24.5760
6.1760	16.3840	25.0000
8.1920	18.4320	27.0000
12.2880	19.4400	
12.3520	20.0000	

#### Ordering Information



**Electrical Performance**

Parameter	Min.	Typ.	Max.	Units	Notes
Output frequency (F <sub>N</sub> )	1.0		32.0	MHz	As specified
Supply voltage	+4.75	+5.0	+5.25	V	
Supply current			30	mA	
Frequency stability			±50	ppM	See #1 and #2 below
Operating temperature	-40		+85	°C	As specified
Output logic 0, V <sub>OL</sub>			10% V <sub>DD</sub>	V	HCMOS load
Output logic 0, V <sub>OL</sub>			0.5	V	TTL load
Output logic 1, V <sub>OH</sub>	90% V <sub>DD</sub>			V	HCMOS load
Output logic 1, V <sub>OH</sub>	2.5			V	TTL load
Output load			50	pF	
Output load			10	TTL	
Duty cycle	45		55	%	measured 50% V <sub>DD</sub>
Duty cycle	40		60	%	measured 1.4V
Rise and fall time			8	ns	measured 20/80% V <sub>DD</sub>
Rise and fall time			4	ns	measured TTL
Jitter, total			20	ps pk-pk	

**Notes:**

- As specified. Stability includes all combinations of operating temperature, calibration tolerance, load changes, rated input (supply) voltage changes, shock and vibration, with control voltage held at center.
- ±12 ppM max due to aging (10 years at 40°C average ambient operating temperature).

**Frequency Modulation Function**

Parameter	Min.	Typ.	Max.	Units	Notes
Absolute pull range (APR)	±50 to ±100			ppM	See #1 below
Control voltage range	+0.5		+4.5	V <sub>DC</sub>	As rated
Center control voltage		+2.5		V	For RMT center frequency
Monotonic linearity			10	%	Positive transfer slope
Input impedance	50			kΩ	Control voltage pin
Modulation bandwidth	50			kHz	-3dB

**Notes:**

- As specified. APR is relative to the nominal output frequency F<sub>N</sub>; APR is inclusive (net) of frequency deviation due to stability.

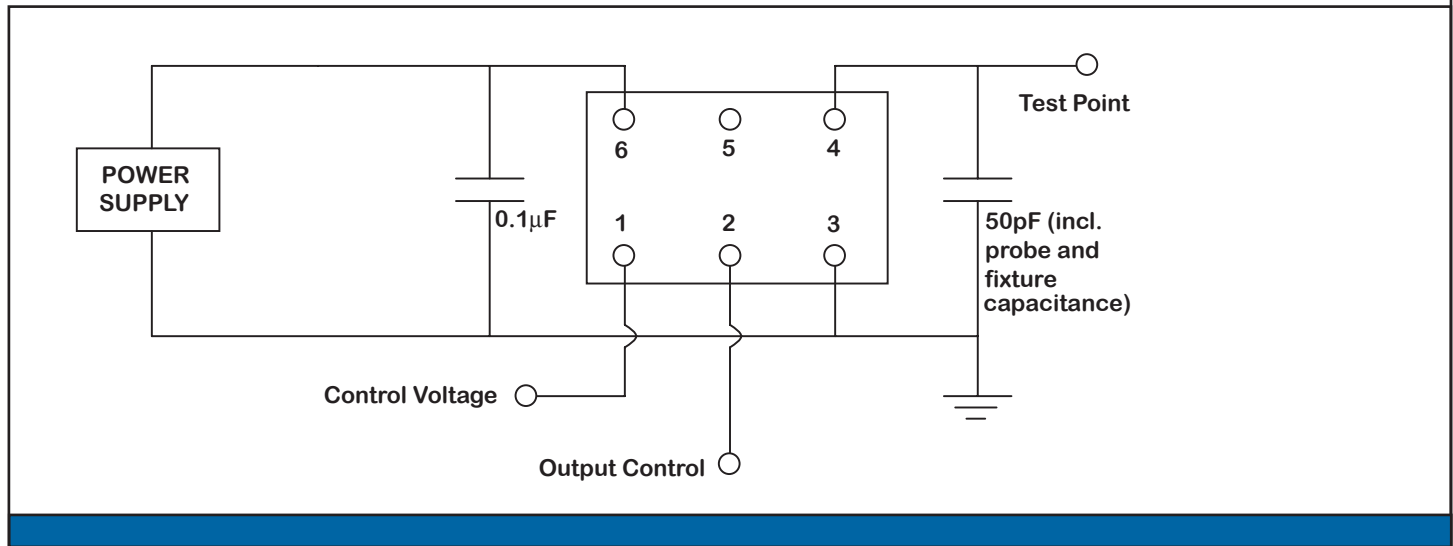
**Output Enable / Disable Function**

Parameter	Min.	Typ.	Max.	Units	Notes
Input voltage, output enable	3.0			V	or open
Input voltage, output high impedance			0.5	V	Output is high impedance

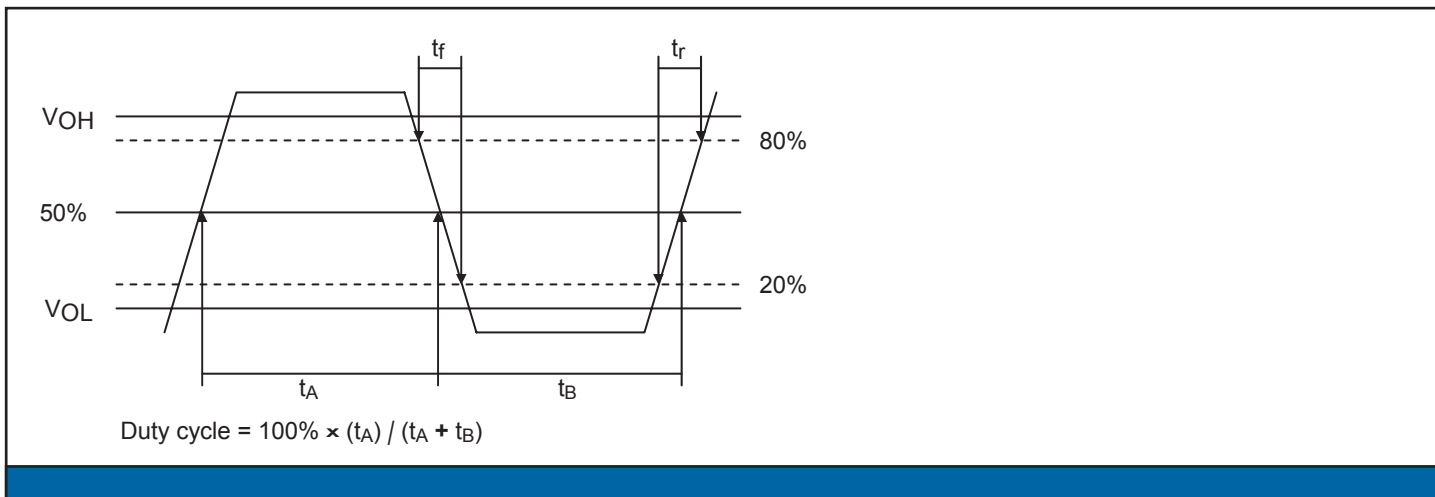
**Absolute Maximum Ratings**

Parameter	Min.	Typ.	Max.	Units	Notes
Storage temperature	-55		+125	°C	
Control voltage range	-0.5		V <sub>DD</sub> +0.5	V	

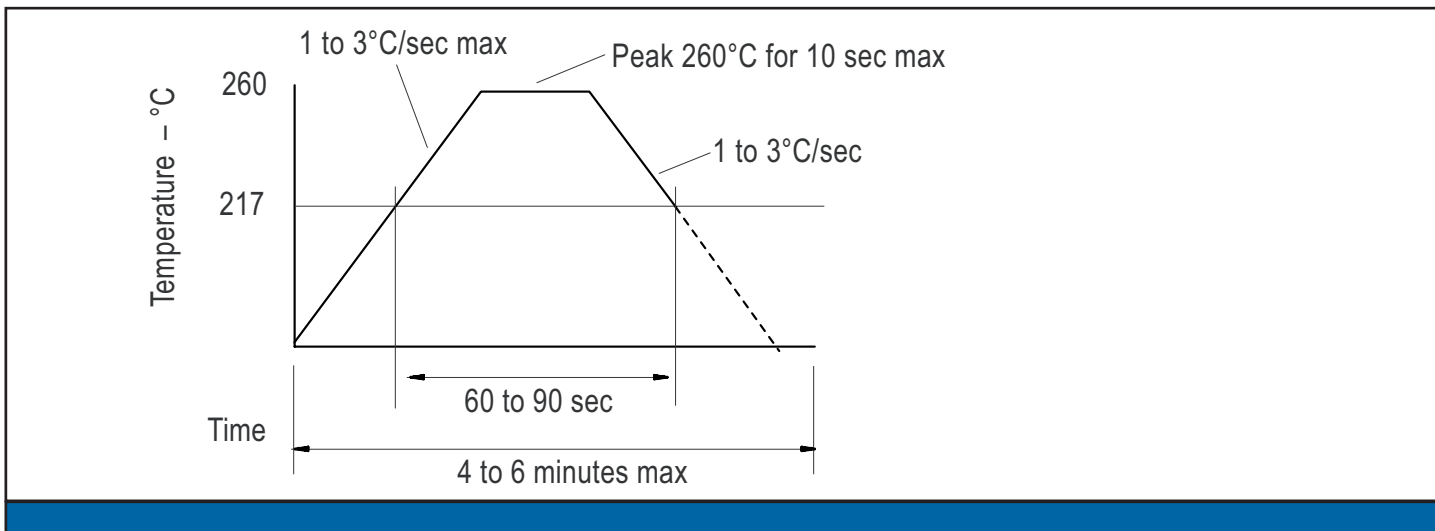
**Test Circuit (HCMOS load)**



**Output Waveform**



**Solder Reflow Guide**

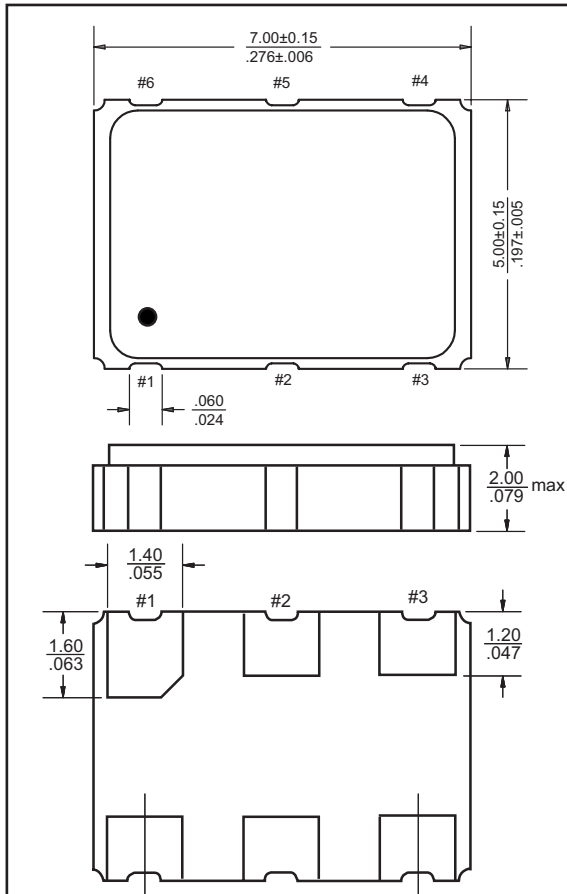


**Reliability Test Ratings**

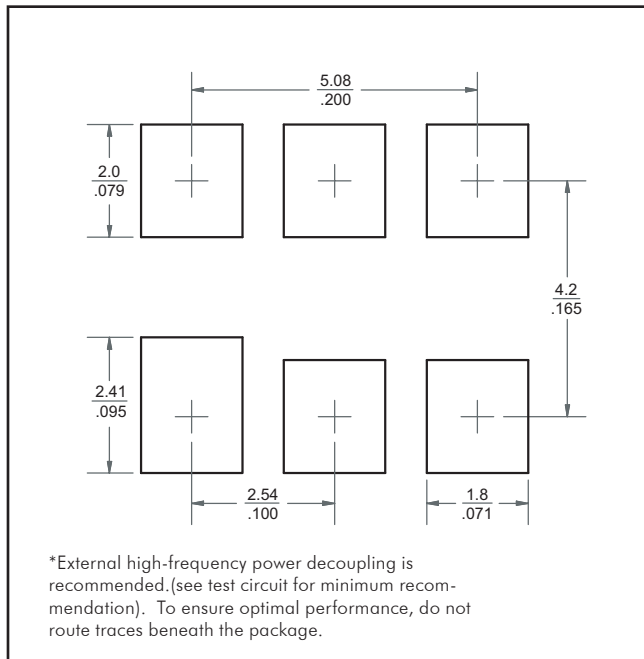
This product is rated under the following test conditions:

Type	Parameter	Test Condition
Mechanical	Shock	MIL-STD-883, Method 2002, Condition B
Mechanical	Solderability	JESD22-B102-D Method 2 (Preconditioning E)
Mechanical	Terminal strength	MIL-STD-883, Method 2004, Condition D
Mechanical	Solvent resistance	MIL-STD-202, Method 215
Environmental	Thermal shock	MIL-STD-883, Method 1011, Condition A
Environmental	Moisture resistance	MIL-STD-883, Method 1004
Environmental	Vibration	MIL-STD-883, Method 2007, Condition A
Environmental	Resistance to soldering heat	J-STD-020C Table 5-2 Pb-free devices (2 cycles max)

**Mechanical Drawings**



**Recommended Land Pattern\***



Scale: None. Dimensions are in mm/inches.

**Marking LINE 1:** ST1507xxx (SaRonix, Model, Option Codes)  
**Marking LINE 2:** 12.3456 (Frequency in MHz)  
**Marking LINE 3:** • YYWWx (Pin 1, Year, Week, Origin)

**\*\* Exact location of items may vary**