

# UTC KA22241 LINEAR INTEGRATED CIRCUIT

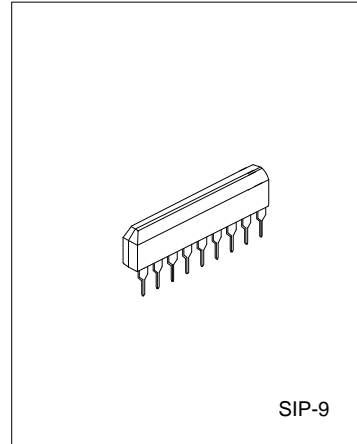
## DUAL EQUALIZER AMPLIFIER WITH ALC

### DESCRIPTION

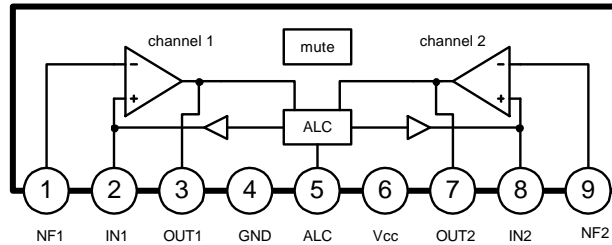
The UTC KA22241 is a monolithic integrated circuit, consisting of dual equalizer amplifier with ALC, and it is suitable for stereo radio cassette tape recorders.

### FEATURES

- \*Dual equalizer amplifier with built-in ALC circuit
- \*Low noise  $V_{NI}=1.0\mu V$ (Typical)
- \*High open loop voltage gain:  $G_v=80dB$ (Typical)
- \*Good ALC response balance between channels
- \*Not necessary the input coupling capacitor
- \*Not necessary the diode or transistor for ALC
- \*Built in power supply muting circuit
- \*Minimum number of external parts required



### BLOCK DIAGRAM



### ABSOLUTE MAXIMUM RATING( $T_a=25^\circ C$ )

PARAMETER	SYMBOL	VALUE	UNIT
Supply Voltage	VCC	16	V
Operating Temperature	TOPR	-20 to 75	$^\circ C$
Storage Temperature	TSTG	-20 to 125	$^\circ C$
Power Dissipation	PD	550	mW

**UTC** UNISONIC TECHNOLOGIES CO., LTD. 1

QW-R110-001,A

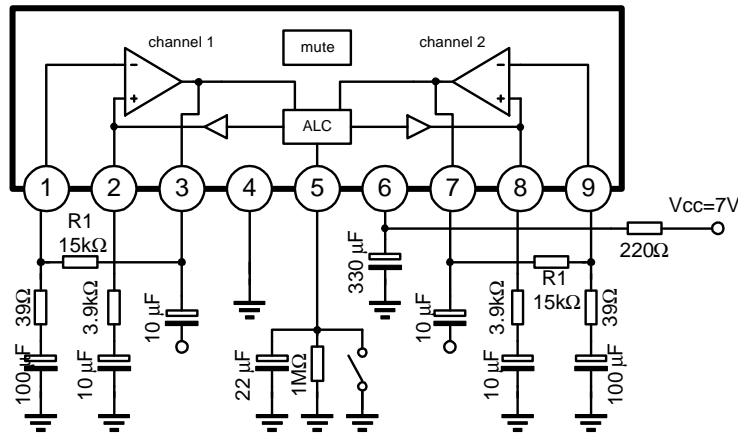


# UTCA22241 LINEAR INTEGRATED CIRCUIT

## TEST METHOD

SYMBOL	SW1	SW2	SW3	SW4	SW5	SW6	SW7	SW8	SW9	SW10	SW11
I <sub>CCQ</sub>	ON	OFF	1	ON	3	ON	ON	3	1	OFF	ON
G <sub>VO</sub>	ON	OFF	1	ON	1	ON	ON	3	1	OFF	ON
G <sub>VC</sub>	OFF	ON	1	ON	1	ON	ON	3	1	OFF	ON
THD	OFF	ON	1	ON	1	ON	ON	3	1	OFF	ON
V <sub>O</sub>	OFF	ON	1	ON	1	ON	ON	3	1	OFF	ON
V <sub>NI-1</sub>	OFF	ON	1	ON	2	ON	ON	3	1	OFF	ON
V <sub>NI-2</sub>	ON	OFF	1	ON	3	ON	ON	2	1	ON	OFF
V <sub>ALC</sub>	OFF	OFF	2	OFF	1	OFF	ON	3	1	OFF	ON
C <sub>BALC</sub>	OFF	OFF	2	OFF	1	OFF	OFF	1	2	OFF	ON

## APPLICATION CIRCUIT



Note: On playback, connect the time constant circuit as follows below, instead of R1, R2 of PINS 1-3, 7-9, which are used in the NAB.

