

**PRODUCT SUMMARY**

# **SKY74963: RF Transceiver With Power Ramping Controller and Integrated Crystal Oscillator for Multi-Band GSM, GPRS, and EDGE Applications**

## **Applications**

- GSM850, EGSM900, DCS1800, and PCS1900 handsets
- GPRS handsets and modules
- EDGE downlink support

## **Features**

- Direct down-conversion receiver eliminates the external image reject/IF filters
- Three separate LNAs with single-ended inputs
- RF gain range: GSM = 20 dB, DCS = 22 dB, PCS = 20 dB. Baseband gain range = 100 dB
- Gain selectable in 2 dB steps
- Integrated receive baseband filters with tunable bandwidth
- Integrated DCOC sequencer
- Reduced filtering requirements with translational loop transmit architecture
- Integrated transmit VCOs
- Wide RF range for multi-band operation
- Integrated PAC loop
- Single integrated, fully programmable fractional-N synthesizer suitable for multi-slot GPRS operation
- Fully integrated wideband UHF VCO
- 26 MHz integrated crystal oscillator with 26 MHz output (SKY74963-23) or 13 MHz output (SKY74963-32) options
- Separate enable lines for power management transmit, receive, and synthesizer modes
- Supply voltage down to 2.6 V
- Band select and front-end enable states may be exercised on output pins to control external circuitry
- Low external component count
- Optional bypass of baseband filtering for use with high dynamic range ADCs for current savings
- Interfaces to low dynamic range ADC
- Meets AM suppression requirements without baseband interaction
- Low power standby mode
- RFLGA™ (56-pin, 8 x 8 mm) Pb-free package (MSL3, 260 °C per JEDEC J-STD-020)

## **Description**

The SKY74963 RF transceiver is a highly integrated device for multi-band Global System for Mobile Communications (GSM) or General Packet Radio Service (GPRS) applications. The device requires a minimal number of external components to complete a GSM radio subsystem. The SKY74963 supports GSM850, EGSM900, DCS1800, and PCS1900 applications. The receiver also supports Enhanced Data for GSM Evolution (EDGE) downlink applications.

The receive path implements a direct down-conversion architecture that eliminates the need for Intermediate Frequency (IF) components. The SKY74963 consists of three integrated Low Noise Amplifiers (LNAs), a quadrature demodulator, tunable receiver baseband filters, and a DC Offset Correction (DCOC) sequencer.

In the transmit path, the device consists of an In-phase and Quadrature (I/Q) modulator within a frequency translation loop designed to perform frequency up-conversion with high output spectral purity. This loop also contains a phase-frequency detector, charge pump, mixer, programmable dividers, and high power transmit Voltage Controlled Oscillators (VCOs) with no external tank required. With the integrated gain controller (and an integrator), the device realizes the Power Amplifier Control (PAC) functionality when combined with a coupler, a Radio Frequency (RF) detector, and a Power Amplifier (PA).

The SKY74963 also features an integrated, fully programmable, sigma-delta fractional-N synthesizer suitable for GPRS multi-slot operation. Except for the loop filter, the frequency synthesizer function, including a wideband VCO, is completely on-chip. The reference frequency for the synthesizer is supplied by the integrated crystal oscillator circuitry.

A functional block diagram is provided in Figure 1.



Skyworks offers lead (Pb)-free “environmentally friendly” packaging that is RoHS compliant (European Parliament for the Restriction of Hazardous Substances).

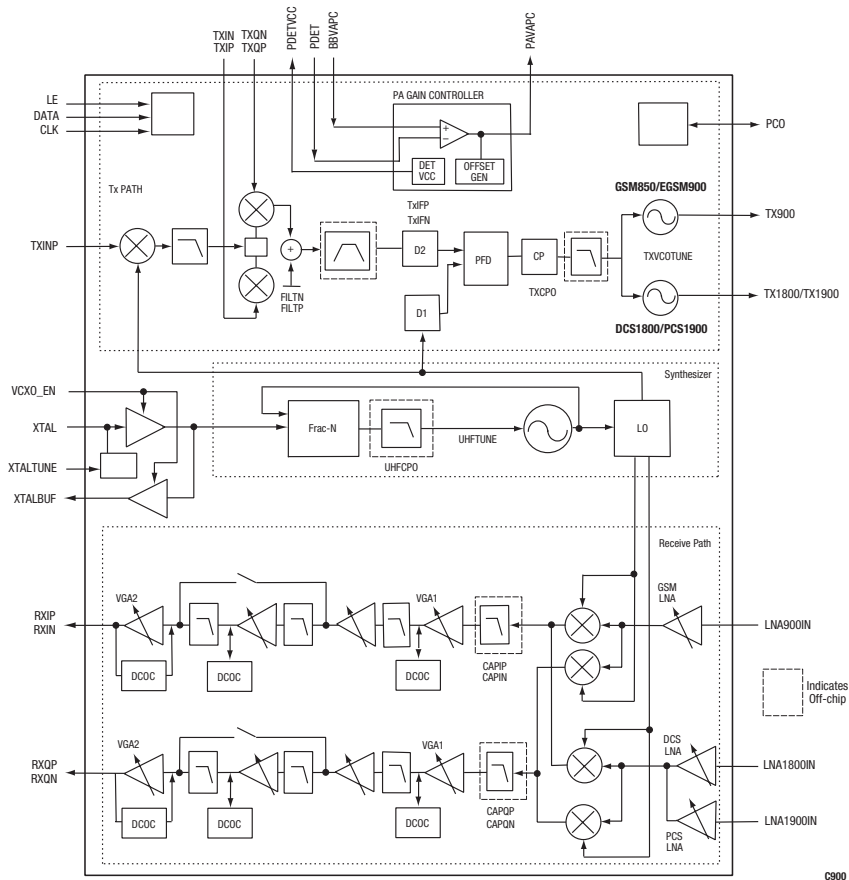


Figure 1. SKY74963 RF Transceiver Block Diagram

Ordering Information

| Model Name              | Manufacturing Part Number                                                                    | Product Revision |
|-------------------------|----------------------------------------------------------------------------------------------|------------------|
| SKY74963 RF Transceiver | SKY74963-23 (26 MHz output, Pb-free package)<br>SKY74963-32 (13 MHz output, Pb-free package) |                  |

Copyright © 2004 Skyworks Solutions, Inc. All Rights Reserved.

Information in this document is provided in connection with Skyworks Solutions, Inc. ("Skyworks") products. These materials are provided by Skyworks as a service to its customers and may be used for informational purposes only by the customer. Skyworks assumes no responsibility for errors or omissions in these materials. Skyworks may make changes to its documentation, products, specifications and product descriptions at any time, without notice. Skyworks makes no commitment to update the information and shall have no responsibility whatsoever for conflicts, incompatibilities, or other difficulties arising from future changes to its documentation, products, specifications and product descriptions.

No license, express or implied, by estoppel or otherwise, to any intellectual property rights is granted by or under this document. Except as may be provided in Skyworks Terms and Conditions of Sale for such products, Skyworks assumes no liability whatsoever in association with its documentation, products, specifications and product descriptions.

THESE MATERIALS ARE PROVIDED "AS IS" WITHOUT WARRANTY OF ANY KIND, EITHER EXPRESS OR IMPLIED OR OTHERWISE, RELATING TO SALE AND/OR USE OF SKYWORKS PRODUCTS INCLUDING WARRANTIES RELATING TO FITNESS FOR A PARTICULAR PURPOSE, MERCHANTABILITY, PERFORMANCE, QUALITY OR NON-INFRINGEMENT OF ANY PATENT, COPYRIGHT OR OTHER INTELLECTUAL PROPERTY RIGHT. SKYWORKS FURTHER DOES NOT WARRANT THE ACCURACY OR COMPLETENESS OF THE INFORMATION, TEXT, GRAPHICS OR OTHER ITEMS CONTAINED WITHIN THESE MATERIALS. SKYWORKS SHALL NOT BE LIABLE FOR ANY DAMAGES, INCLUDING SPECIAL, INDIRECT, INCIDENTAL, OR CONSEQUENTIAL DAMAGES, INCLUDING WITHOUT LIMITATION, LOST REVENUES OR LOST PROFITS THAT MAY RESULT FROM THE USE OF THESE MATERIALS WHETHER OR NOT THE RECIPIENT OF MATERIALS HAS BEEN ADVISED OF THE POSSIBILITY OF SUCH DAMAGE.

Skyworks products are not intended for use in medical, lifesaving or life-sustaining applications. Skyworks customers using or selling Skyworks products for use in such applications do so at their own risk and agree to fully indemnify Skyworks for any damages resulting from such improper use or sale.

The following are trademarks of Skyworks Solutions, Inc.: Skyworks®, the Skyworks logo, and Breakthrough Simplicity®. Product names or services listed in this publication are for identification purposes only, and may be trademarks of Skyworks or other third parties. Third-party brands and names are the property of their respective owners. Additional information, posted at [www.skyworksinc.com](http://www.skyworksinc.com), is incorporated by reference.