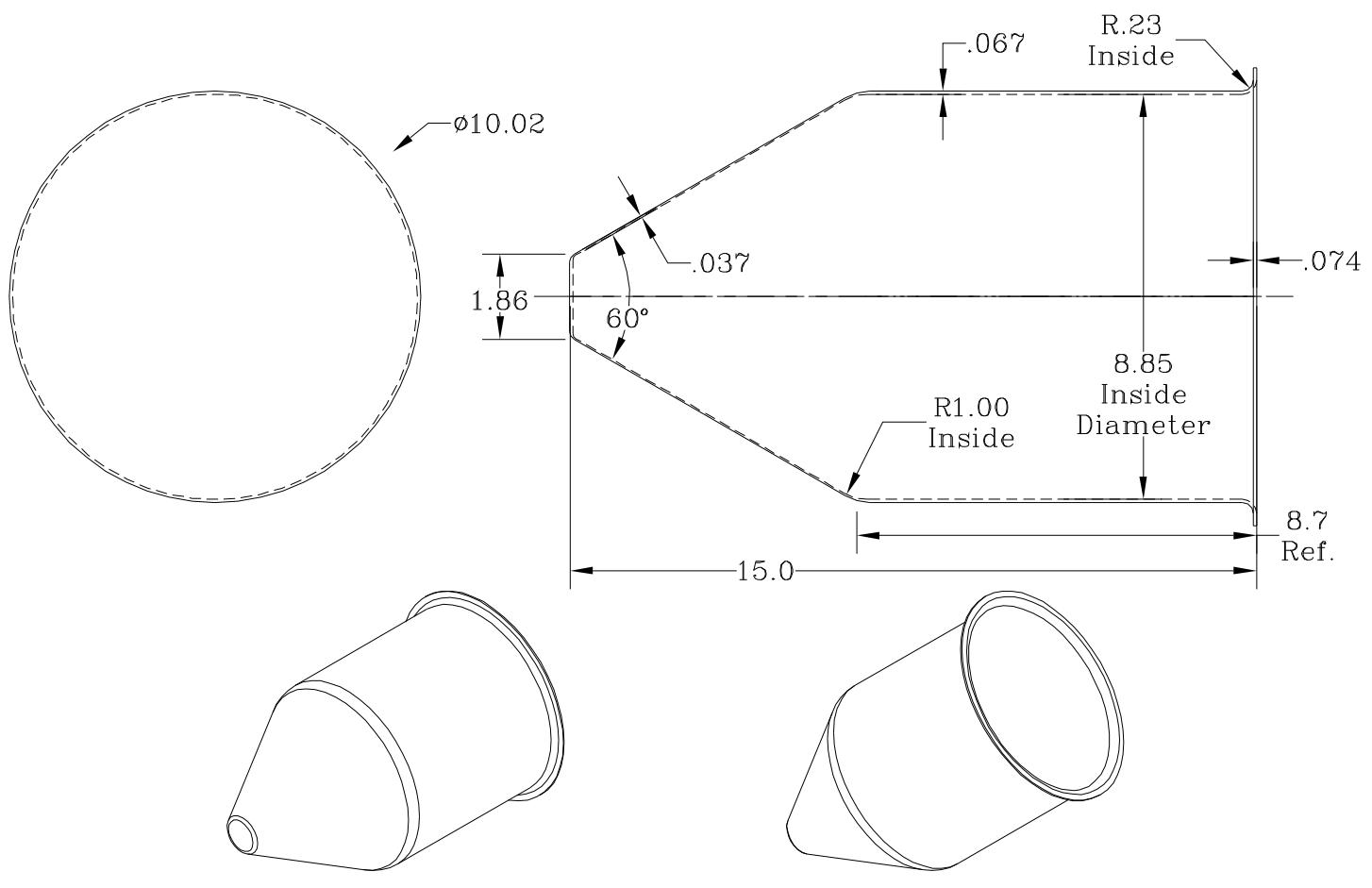



[查询TMS9914供应商](#)



 TOLEDO METAL SPINNING Co. 1819 Clinton Street, Toledo, OH 43607 Tel:(419)535-5931 Fax:(419)535-0565 www.toledometal spinning.com	P/N: TMS9914 Desc: TMS SS Hopper Material: 14 Ga. SS304	Unless otherwise specified (DU = Inches) Tolerances: X. ±0.25 X.XX ±0.030 X.XXXX ±0.001 X.X ±0.12 X.XXX ±0.010 Ang. ±0.25 Break all edges with R1/32" to R1/16"	
	DWG# TMS9914.dwg		Rev# N/C

Fast Search System.

www.AllDataSheet.com