



10/100 Base-T transformer Modules

FC-638L rev 0

Specification - Data sheet

Transformer Modules (10/100 Base-Tx) for Auto MDI/MDIX Applications.

Compliant with IEEE 802.3 and ANSI X3.236 standard including baseline wander compensation specification of 350uH OCL when biased at 8mA from 0°C to 70°C

Low profile surface mount packaging designed for hi-temp reflow process (225°C peak)

Available in through hole package (for dual port only)

Electrical Specifications @25°C (Operating Temperature : 0°C to 70°C)

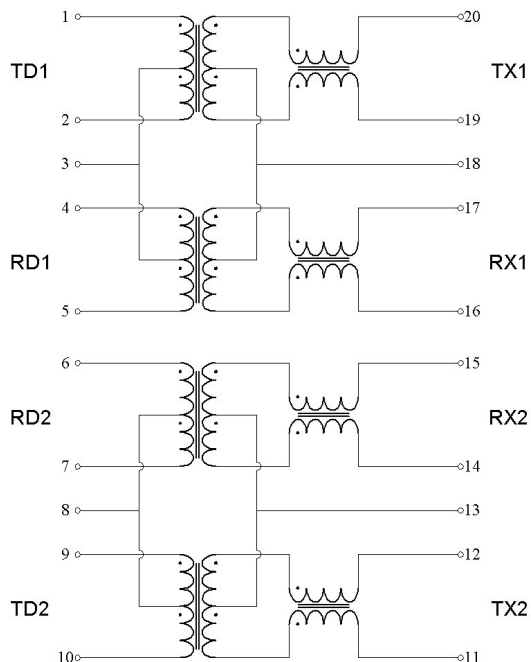
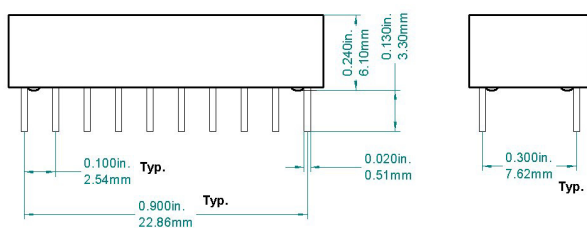
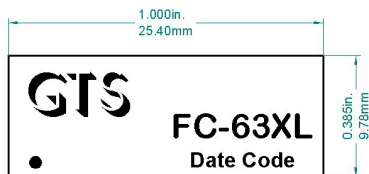
turn ratio		insertion loss	return loss			CMRR			cross talk		
(±5%)		(dB max.)	(dB min.)			(dB min.)			(dB min.)		
TX	RX	1-100MHz	1-30MHz	60MHz	80MHz	1-30MHz	60MHz	80MHz	1-30MHz	60MHz	80MHz
1CT:1CT	1CT:1CT	-1.0	-16	-12	-10	-45	-40	-35	-42	-40	-38

Note :

Operation temperature 0°C - 70°C

Isolation Voltage (HiPot) of 1500Vrms (1 min)

Schematics & Mechanical



- 1.PACKAGE : BLACK PLASTIC SELF-EXTINGUISHING PER UL94V-0.
- 2.LEAD: SOLDERABILITY PER MIL-STD-202,METHOD 208.

Dimensions : inches/mm unless otherwise specified all tolerances ±0.010 (0.25)

for more information : www.gtsmag.com e-mail: gts@gtsmag.com

