



FEATURES

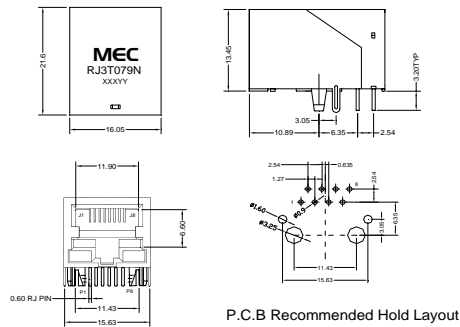
- Meets IEEE 802.3 specification.
- Improved common mode (EMI) performance
- 350 μ H minimum OCL with 8mA bias current.
- Isolation Voltage: 1500 Vrms (INPUT to OUTPUT).

Part Number	Turns Ratio Pri:Sec($\pm 3\%$)		Insertion Loss (dB MAX) 0.1~100 MHZ	Return Loss (dB TYP)			Crosstalk (dB TYP)			Common to common Rejection Ratio (dB TYP) 0.1~100 MHZ
	TX	RX		30 MHZ	50 MHZ	80 MHZ	30 MHZ	60 MHZ	100 MHZ	
RJ3T079N	1:1	1:1	-1.0	-18	-15	-10	-45	-40	-38	-40
RJ3T081N	1:1	1:1	-1.0	-18	-14	-12	-40	-38	-35	-35
RJ3T082N	1:1	1:1	-1.0	-18	-15	-10	-45	-37	-33	-30
RJ3T083N	1:1	1:1	-1.0	-16	-14	-10	-45	-40	-38	-40
RJ3T099N	1:1	1:1	-1.0	-20	-15	-10	-40	-33	-30	-30
RJ4T098N	1:1	1:1	-1.0	-16	-11.5	-10	-40	-35	-30	-20
RJ4T099N	1:1	1:1	-1.0	-16	-14	-10	-45	-40	-38	-40

- Electrical Specifications @25°C -Operating Temperature 0°C to 70°C.

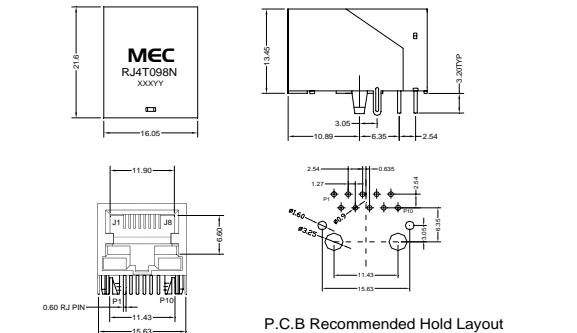
Mechanicals

RJ3T079N



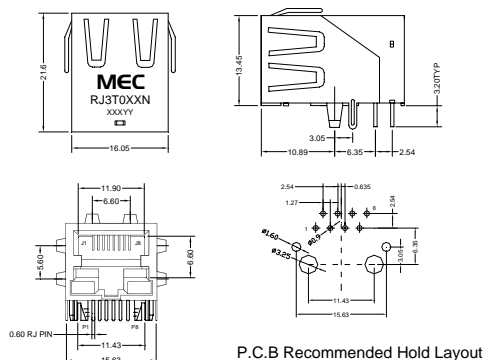
Dimensions: mm Unless otherwise specified, all tolerances $\pm .25$

RJ4T098N



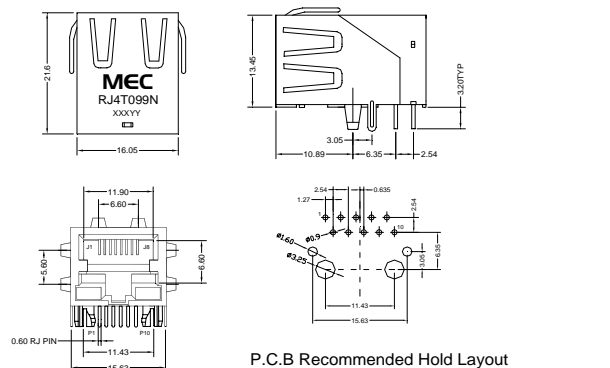
Dimensions: mm Unless otherwise specified, all tolerances $\pm .25$

RJ3T081N 、 RJ3T082N 、 RJ3T083N 、 RJ3T099N



Dimensions: mm Unless otherwise specified, all tolerances $\pm .25$

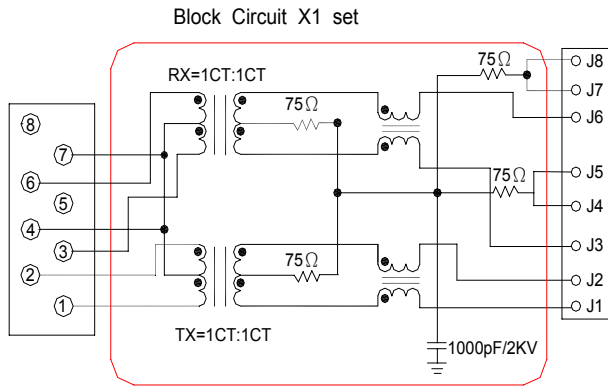
RJ4T099N



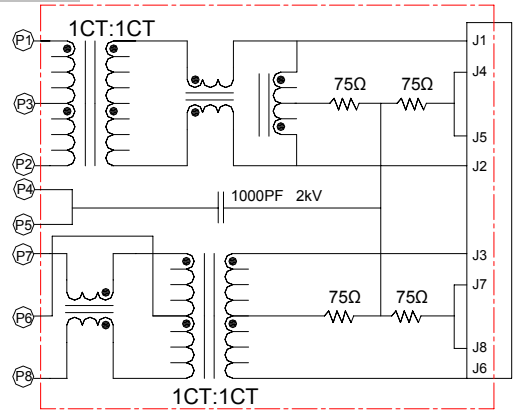
Dimensions: mm Unless otherwise specified, all tolerances $\pm .25$

Schematics

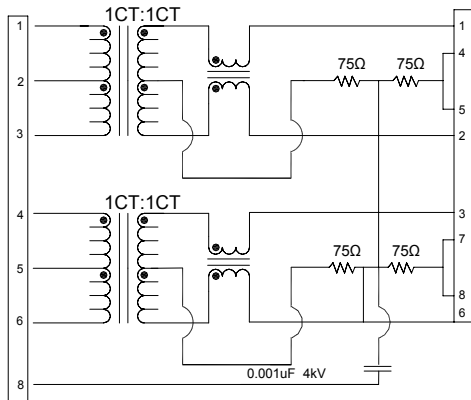
RJ3T079N



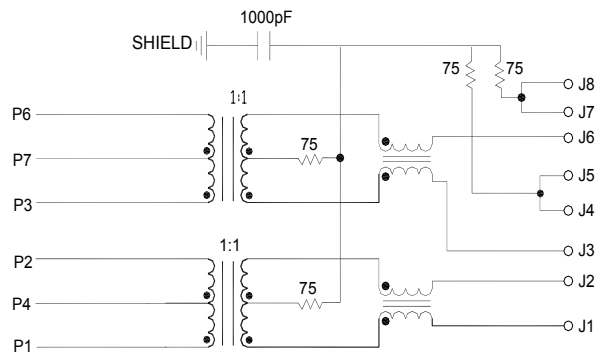
RJ3T081N



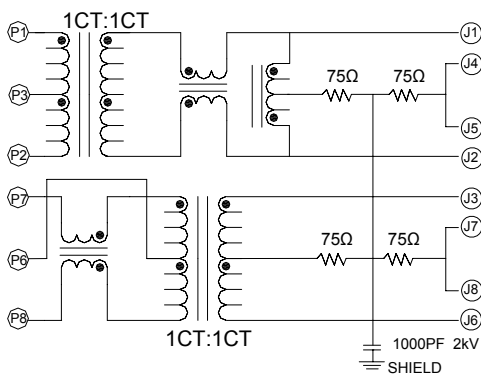
RJ3T082N



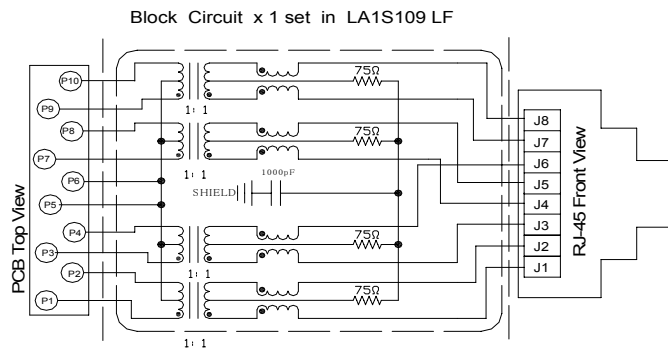
RJ3T083N



RJ3T099N



RJ4T098N



FEATURES

- Meets IEEE 802.3 specification.
- Improved common mode (EMI) performance
- 350 μ H minimum OCL with 8mA bias current.
- Isolation Voltage:1500 Vrms (INPUT to OUTPUT).

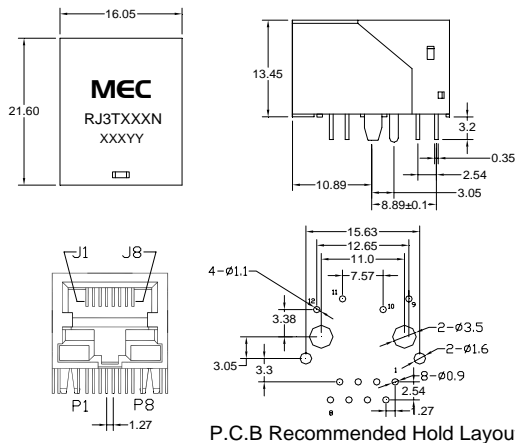


Part Number	Turns Ratio Pri:Sec(\pm 3%)		Insertion Loss (dB MAX) 0.1~100 MHZ	Return Loss (dB TYP)			Crosstalk (dB TYP)			Common to common Rejection Ratio (dB TYP) 0.1~100 MHZ
	TX	RX		30 MHZ	50 MHZ	80 MHZ	30 MHZ	60 MHZ	100 MHZ	
RJ3T078N	1:1	1:1	-1.15	-16	-13.5	-10	-40	-35	-30	-20
RJ3T080N	1:1	1:1	-1.0	-18	-15	-10			-38	-40
RJ3T088N	1:1	1:1	-1.0	-16	-12	-10	-40	-35	-30	-20
RJ3T089N	1:1	1:1	-1.0	-18	-16	-12			-30	-20
RJ3T092N	1:1	1:1	-1.0	-18	-16	-12	-40	-35	-30	-30
RJ3T098N	1:1	1:1	-1.0	-18	-15	-12			-40	-40
RJ3T101N	1:1	1:1	-1.0	-18	-15	-10			-38	-40
RJ3T102N	1:1	1:1	-1.0	-16	-12	-10	-40	-35	-30	-20
RJ3T105N	1:1	1:1	-1.0	-16	-12	-10	-40	-35	-30	-20
RJ3T106N	1:1	1:1	-1.0	-18	-16	-12			-30	-30
RJ3T107N	1:1	1:1	-1.0	-18	-16	-12			-30	-30
RJ3T108N	1:1	1:1	-1.0	-16	-12	-10	-40	-35	-30	-20
RJ3T109N	1:1	1:1	-1.0	-16	-12	-10		-40	-38	-35
RJ3T110N	1:1	1:1	-1.15	-16	-13.5	-10	-40	-35	-30	-20
RJ4T096N	1:1	1:1	-1.0	-18	-13	-12			-30	-35
RJ4T097N	1:1	1:1	-1.0	-18	-13.0	-12			-30	-30
RJ4T100N	1:1	1:1	-1.0	-16	-11.5	-10	-40	-35	-30	-20

- Electrical Specifications @25°C-Operating Temperature 0°C to 70°C.

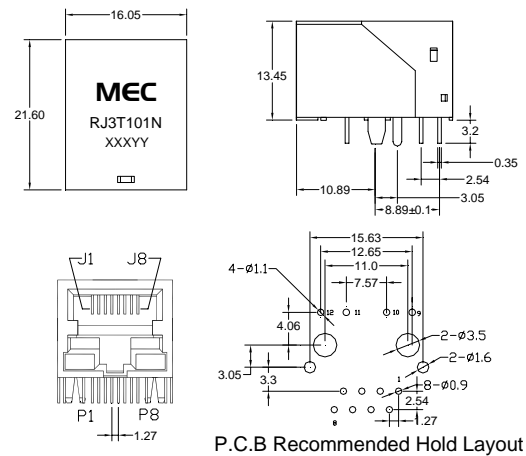
Mechanicals

J3T078N、RJ3T080N、RJ3T106N、RJ3T110N



Dimensions: mm
Unless otherwise specified, all tolerances \pm .25

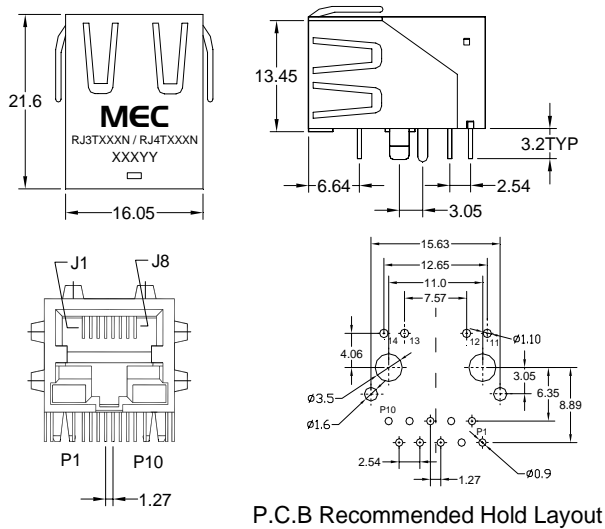
RJ3T101N



Dimensions: mm
Unless otherwise specified, all tolerances \pm .25

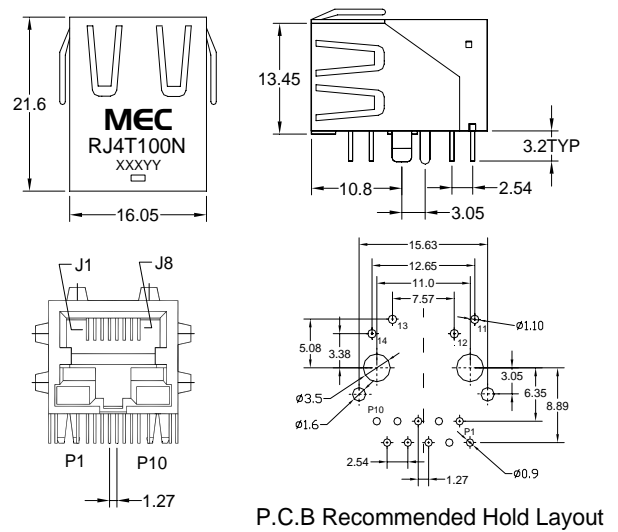
Mechanicals

RJ3T098N · RJ4T096N · RJ4T097N



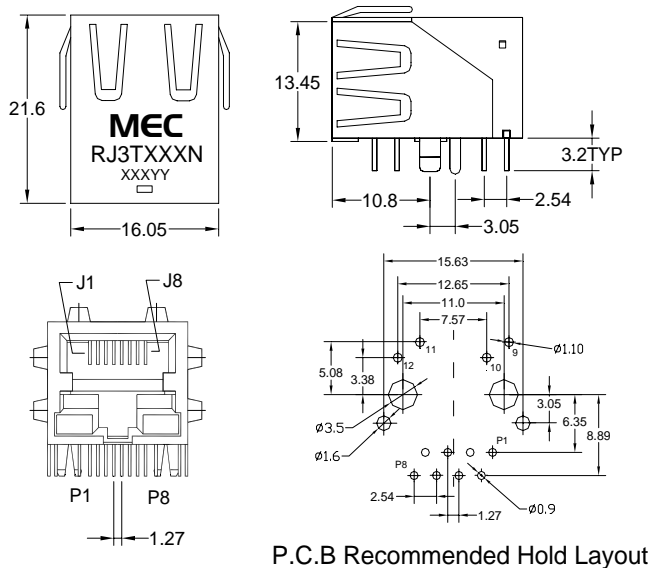
Dimensions: mm
Unless otherwise specified, all tolerances $\pm .25$

RJ4T100N



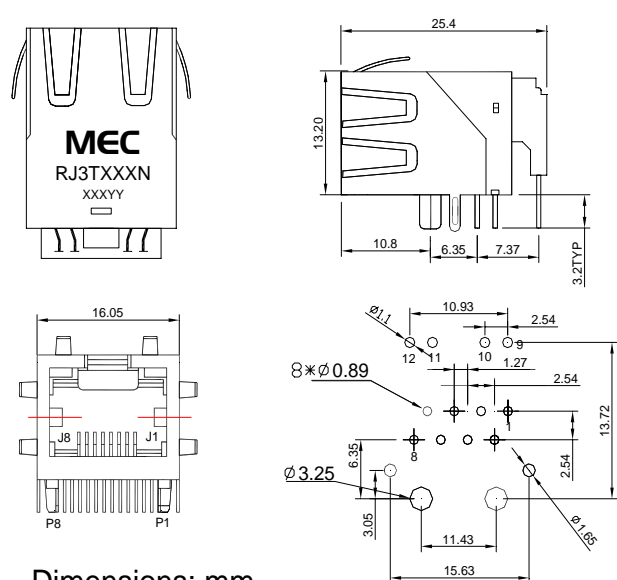
Dimensions: mm
Unless otherwise specified, all tolerances $\pm .25$

RJ3T092N · RJ3T107N



Dimensions: mm
Unless otherwise specified, all tolerances $\pm .25$

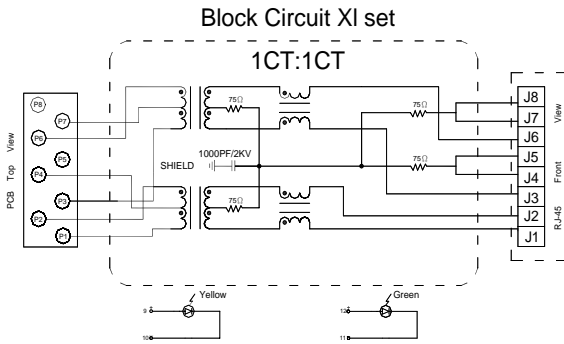
RJ3T088N · RJ3T089N · RJ3T102N ·
RJ3T108N · RJ3T109N



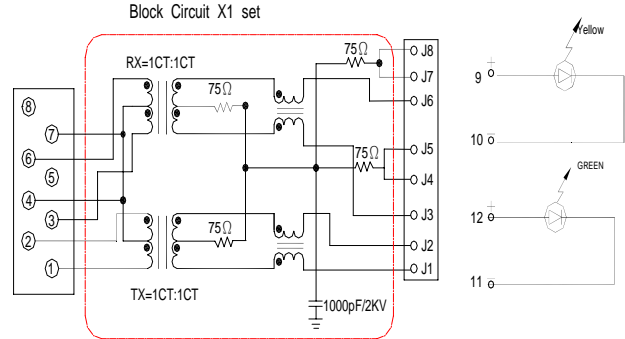
Dimensions: mm
Unless otherwise specified, all tolerances $\pm .25$

Schematics

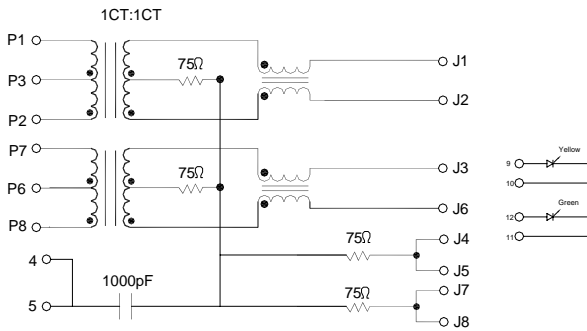
RJ3T078N



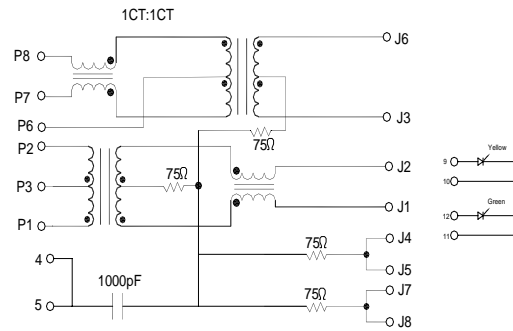
RJ3T080N



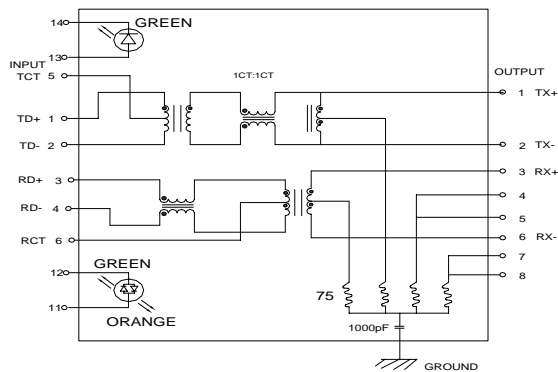
RJ3T088N



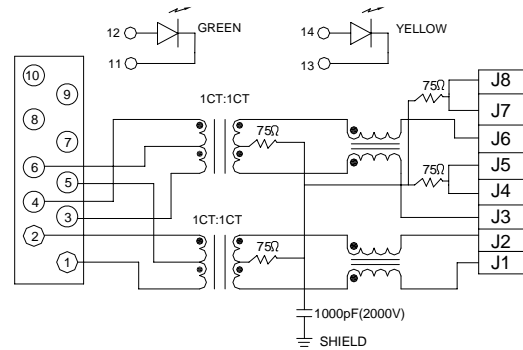
RJ3T089N



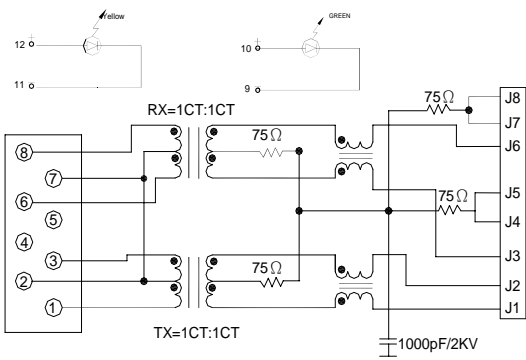
RJ3T092N



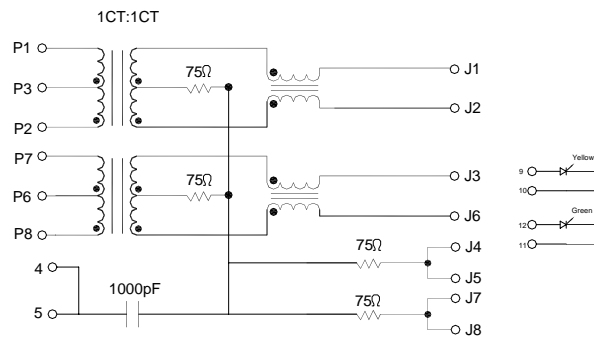
RJ3T098N



RJ3T101N

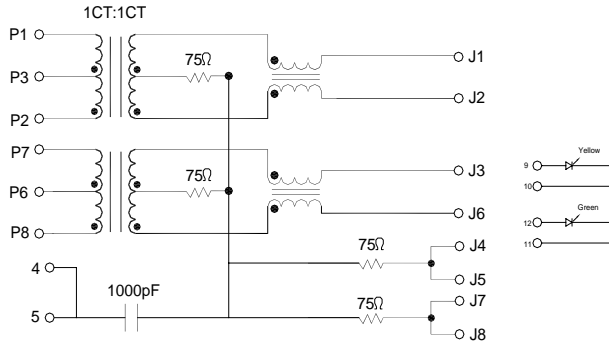


RJ3T102N

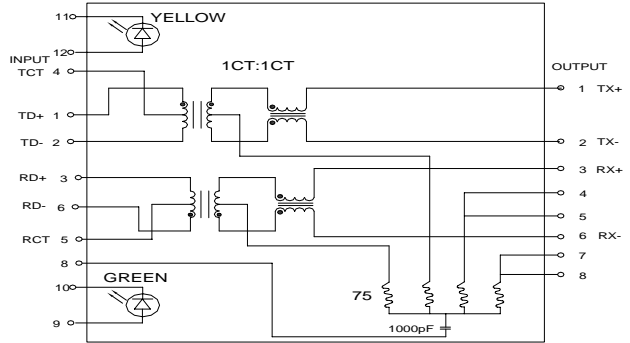


Schematics

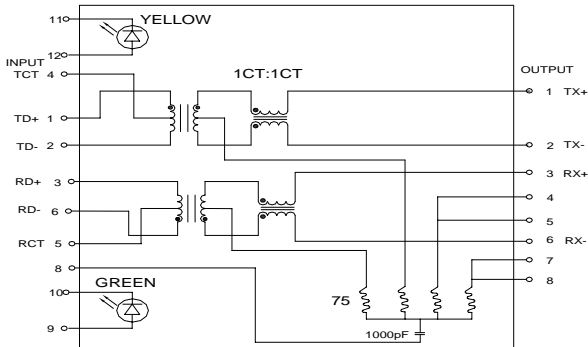
RJ3T105N



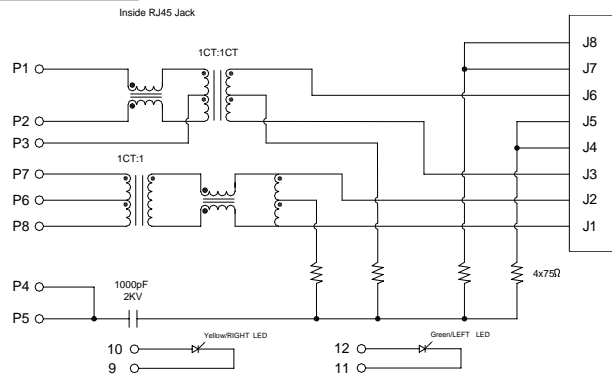
RJ3T106N



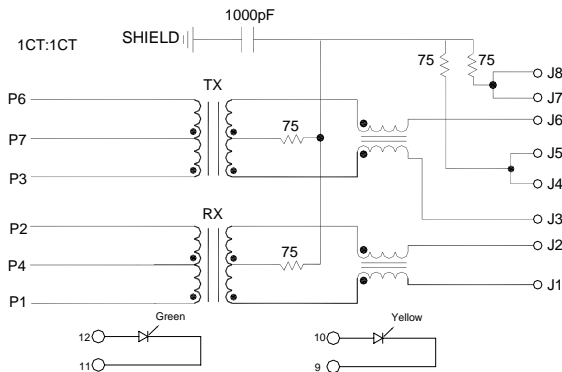
RJ3T107N



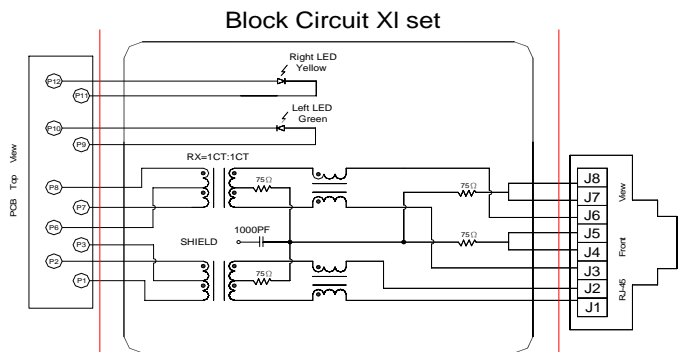
RJ3T108N



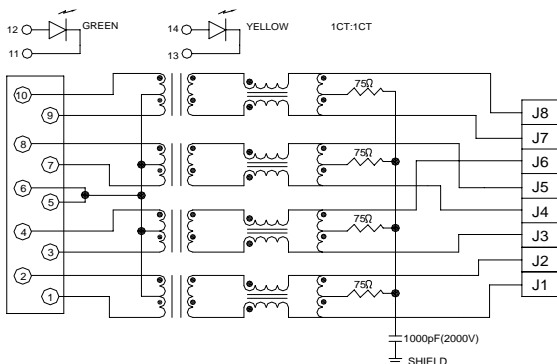
RJ3T109N



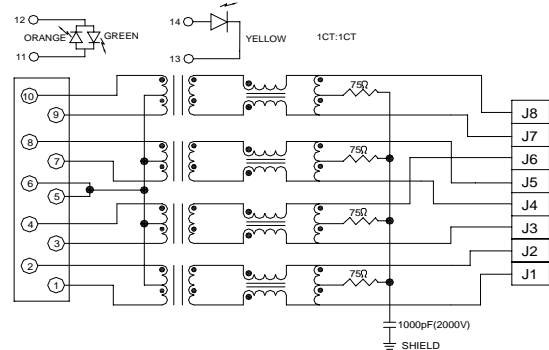
RJ3T110N



RJ4T096N



RJ4T097N



Schematics

RJ4T100N

