

Features

- ▣▣▣▣ *Frequencies from 100MHz to 2.7GHz*
- ▣▣▣▣ *Custom specifications available*
- ▣▣▣▣ *Industry standard package configurations*
- ▣▣▣▣ *Compatible with EPCOS, Fujitsu, Murata etc*

Standard Models

Model Number	Centre Frequency (MHz)	Band width (MHz)	Ins Loss (dB)	Package	Application
TA139E1	139	8.0	6.5	F-11	Pager
TA0245A	139	8.0	6.5	5.2x5.2	Pager
TA147E1	147	8.0	6.5	F-11	Pager
TA155FD	155	8.0	6.5	5.2x5.2	Pager
TA155E1	155	8.0	6.5	F-11	Pager
TA0289A	159.0125	6.025	2.8	7.0x5.0	
TA0395A	159.1625	5.725	3.8	7.0x5.0	
TA0168A	163	8.0	6.5	5.2x5.2	Pager
TA163E1	163	8.0	6.5	F-11	Pager
TA0377A	169	6	2.8	7.0x5.0	
TA0437A	169	6	2.8	5.2x5.2	
TA0181A	171	8.0	6.5	5.2x5.2	Pager
TA171E1	171	8.0	6.5	F-11	Pager
TA0574A	180.175	6	2.8	5.2x5.2	
TA0461A	184	6	2.8	5.2x5.2	
TA0378A	184	6	2.8	7.0x5.0	
TA0575A	188.175	6	2.8	5.2x5.2	
TA0369A	220	4	4.2	5.2x5.2	
TA0576A	221.6	10	3	5.2x5.2	
TA0422A	230.4	1	3.8	5.2x5.2	
TA0560A	268	4	4	5.2x5.2	
TA0510A	280	8	4.5	5.2x5.2	
TA280E1	280	8.0	4.5	F-11	Pager
TA0204A	281	8.0	4.5	3.9x3.9	Pager
TA284FD	284	8.0	4.5	5.2x5.2	Pager
TA0205A	284	8.0	4.5	3.9x3.9	Pager
TA0486A	285	8	4.5	5.2x5.2	
TA0544A	290	7	4.5	F-11	
TA0187A	307.5	4.0	4.0	5.2x5.2	Remote Control
TA0499A	311.04	0.4	4	3.9x3.9	
TA0615A	311.06	2	3	3.9x3.9	
TA0365A	312.15	0.95	4	3.9x3.9	Remote Control
TA0518A	313.85	0.8	4	3.9x3.9	
TA0705A	315	0.6	2.5	3.9x3.9	
TA0672A	315	10	4	3.9x3.9	
TA0657A	315	0.6	2.5	3.1x3.1	
TA0500A	315	0.8	4	3.9x3.9	
TA0209A	315	0.8	4.0	5.2x5.2	Remote Control
TA0234A	315	0.8	4.0	TO-39	Remote Control
TA0301A	315	0.8	4.0	3.9x3.9	Remote Control
TA0308A	315.15	0.8	4.0	5.2x5.2	
TA0283A	315.5	0.8	3.5	TO-39	Remote Control
TA325E1	325	8.0	4.5	F-11	Pager
TA0797A	340	6	3.5	5.2x5.2	
TA0188A	343.5	4.0	4.0	5.2x5.2	
TA0376A	390	1.1	4.0	5.2x5.2	Remote Control
TA0559A	394	4	4	5.2x5.2	
TA0529A	403.5	3	3.5	3.9x3.9	
TA0489A	403.5	3	3	3.9x3.9	

Standard Models (continued)

Model Number	Centre Frequency (MHz)	Band width (MHz)	Ins Loss (dB)	Package	Application
TA0309A	403.55	1.15	4.0	5.2x5.2	
TA0340A	403.966	1.0	3.0	3.9x3.9	Remote Control
TA0417A	408.5	16	2.8	5.2x5.2	
TA0396A	413.9	1	3.8	F-11	
TA0701A	414	8	4.5	F-11	
TA0526A	415.4	5	3.6	5.2x5.2	
TA0525A	415.4	5	3.6	3.9x3.9	
TA0592A	416.405	5	3.6	3.9x3.9	
TA0409A	420	20	3.5	7.0x5.0	
TA0311A	420	18	2.8	5.2x5.2	
TA0418A	424	18	2.8	5.2x5.2	
TA0706A	426	2	4	3.9x3.9	
TA0192A	426.1	0.138	3.5	5.2x5.2	Remote Control
TA0527A	427.8	5	3.6	5.2x5.2	
TA0593A	428.835	5	3.6	3.9x3.9	
TA0707A	429.25	2	4	3.9x3.9	
TA0655A	430	4	3.6	3.9x3.9	
TA0692A	433	20	2.8	3.9x3.9	
TA0286A	433	8.0	4.5	5.2x5.2	Remote Control
TA433K1	433	8.0	4.5	F-11	
TA0723A	433.42	0.5	5	3.9x3.9	
TA0293A	433.42	0.5	4.0	5.2x5.2	Remote Control
TA0708A	433.5	3.2	4	3.9x3.9	
TA0264A	433.92	0.6	4.0	5.2x5.2	Remote Control
TA0537A	433.92	1.74	3.7	3.9x3.9	
TA0255A	433.92	4.0	3.5	F-11	Remote Control
TA0322A	433.92	0.95	4.0	3.1x3.1	Remote Control
TA0649A	433.92	1.74	2.7	3.1x3.1	
TA0412A	433.92	0.95	4	5.2x5.2	
TA0307A	433.92	0.7	4.0	5.2x5.2	
TA0300A	433.92	1.0	3.0	3.9x3.9	Remote Control
TA0278A	433.92	4.0	3.5	5.2x5.2	Remote Control
TA0277A	433.92	0.6	4.0	3.9x3.9	Remote Control
TA0306A	434.26	1.0	3.0	3.9x3.9	
TA0693A	435	10	3.3	5.2x5.2	
TA0411A	440	19	2.8	5x5x1.7	
TA0419A	441	19	2.8	5.2x5.2	
TA0594A	441.265	5	3.6	3.9x3.9	
TA0381A	446	8	4.5	3.9x3.9	FRS
TA446E1	446	8.0	4.5	F-11	Pager
TA0710A	448	3	4	3.9x3.9	
TA0709A	448	3	4	3.1x3.1	
TA450E1	450	8.0	4.5	F-11	Pager
TA454E1	454	8.0	4.5	F-11	Pager
TA0472A	455	0.5	4	3.9x3.9	
TA0473A	456	0.5	4	3.9x3.9	
TA0731A	460	20	3	5.2x5.2	
TA0474A	460	0.5	4	3.9x3.9	
TA0420A	460	20	2.8	5.2x5.2	
TA0312A	460	20	3.0	5.2x5.2	

Continued on next page...

Ordering Information

Product name + model number
eg: **GSRF TA0369A**

- ◆ Pad configurations and package heights may vary from those shown - please ask for a full specification sheet before ordering
- ◆ Full specifications of all models are available on request

Standard Models (continued)

Model Number	Centre Frequency (MHz)	Band width (MHz)	Ins Loss (dB)	Package	Application
TA0475A	462.5375	0.5	4	3.9x3.9	
TA465FD	465	4	4.0	5.2x5.2	Pager
TA0313A	465	20	2.9	5.2x5.2	DAB
TA0266A	465.1375	5.175	4.0	5.2x5.2	Remote Control
TA466E1	466	8.0	4.5	F-11	Pager
TA0476A	467.5375	0.5	4	3.9x3.9	
TA470FD	470	4.0	4.0	5.2x5.2	
TA0568A	475	12	3.3	5.2x5.2	
TE0107A	479.5	26/18	22.5	5.2x5.2	
TE0103A	479.5	27/18	16	4.0x2.5	Satellite TV
TA0421A	480	20	2.8	5.2x5.2	
TA0555A	480	8	3.1	5.2x5.2	
TA0524A	499.25	1	5	5.2x5.2	
TA0506A	500	6	4.7	3.1x3.1	
TA0826A	504	8	4.5	F-11	
TA0753A	611	7	4.5	7.0x5.0	
TA0341A	611	7	5.0	7.0x5.0	
TA0326A	611	7	4.5	9.1x7.1	
TA0817A	638	11	3.5	5.2x5.2	
TA0818A	656	11	3.5	5.2x5.2	
TA0767A	675	25	3.3	3.1x3.1	
TA0616A	675	25	2.2	3.1x3.1	
TA0617A	700	25	2.2	3.1x3.1	
TA0342A	713	6	4.5	5.2x5.2	Cable Modem
TA0343A	743	6	4.5	5.2x5.2	Cable Modem
TA0823A	757.5	1	5	5.2x5.2	
TA0822A	757.5	1	5	5.2x5.2	
TA0716A	770	20	3	3.1x3.1	
TA0557A	776.5	5.5	4.2	3.1x3.1	
TA0736A	800	20	4	3.9x3.9	
TA0740A	800	20	3.8	3.1x3.1	
TA0415A	800	20	3.8	3.1x3.1	
TA0450A	802	8	4.2	3.9x3.9	
TA0451A	808	4	4.2	3.9x3.9	
TA0478A	810	10	4.3	3.1x3.1	
TA0438A	810	17	3.8	3.1x3.1	
TA0424A	810	5	5	3.1x3.1	
TA0660A	814	32	4.2	3.1x3.1	
TA0430A	815.5	19	3.5	3.1x3.1	
TA0330A	821	10	3.5	3.1x3.1	Remote Control
TA0558A	821.5	5.5	4.2	3.1x3.1	
TA0511A	830.05	9	4.5	3.9x3.9	
TA0609A	836.5	30	4	3.1x3.1	
TA0183A	836.5	25.0	2.8	2.5x2.0	Cellular Phone
TA836GG	836.5	25.00	3.5	3.1x3.1	Cellular Phone
TA0169A	836.5	25.0	3.0	3.1x3.1	Cellular Phone
TA0328A	860.5	19	3.0	3.1x3.1	Remote Control
TA0452A	861	8	4.2	3.9x3.9	
TA0694A	862.5	0.5	4.5	5.2x5.2	
TA0735A	864	2	4.2	3.9x3.9	
TA0287A	864	2.0	4.2	3.9x3.9	Remote Control
TA0416A	864	4	5.5	3.1x3.1	
TA0801A	866	7	3	3.1x3.1	
TA0331A	866	12	3.5	3.1x3.1	Remote Control
TA0462A	866	8	4.5	3.1x3.1	
TA0547A	867.5	15	3.5	3.1x3.1	
TA0680A	867.5	15	3.5	2.5x2.0	
TA0659A	868.3	1.5	4.2	3.1x3.1	
TA0828A	868.3	0.6	3.8	3.9x3.9	
TA0280A	868.3	1.5	4.2	5.2x5.2	Remote Control

Standard Models (continued)

Model Number	Centre Frequency (MHz)	Band width (MHz)	Ins Loss (dB)	Package	Application
TA0257A	868.3	1.0	4.7	3.9x3.9	Remote Control
TA0538A	868.6	1.2	4	3.9x3.9	
TA0336A	868.69	1.38	4.7	5.2x5.2	Remote Control
TA0274A	868.95	1.50	4.7	5.2x5.2	Remote Control
TA0296A	869	2	4.0	3.1x3.1	Remote Control
TA0275A	869.6	1.50	4.7	5.2x5.2	Remote Control
TA0317A	869.85	1.85	4.7	5.2x5.2	Remote Control
TA0512A	874.55	9.2	3.5	3.9x3.9	
TA0321A	881.5	25	3.0	2.5x2.05	Cellular Phone
TA0626A	881.5	30	4	3.1x3.1	
TA0233A	881.5	25.0	3.0	3.1x3.1	
TA0184A	881.5	25.0	2.8	2.5x2.0	Cellular Phone
TA881GG	881.5	25.00	3.5	3.1x3.1	Cellular Phone
TA0627A	895.5	39	2.7	3.1x3.1	
TA0494A	897.5	35	3	3.1x3.1	
TA0747A	902.5	25	3.5	3.1x3.1	
TA0143A	902.5	25.0	3.5	3.1x3.1	Cellular Phone
TA0372A	902.5	25	4.2	3.1x3.1	Cellular Phone
TA0562A	906	36	3.2	3.1x3.1	
TA0563A	906	36	4.1	3.1x3.1	
TA0329A	907.5	35	4.0	2.5x2.05	Cellular Phone
TA0530A	912.1	10.2	4.1	3.9x3.9	
TA0282A	914.5	8.0	4.0	3.9x3.9	ISM Band
TA0380A	914.5	8	4	3.9x3.9	Remote Control
TA0495A	915	26	3.5	3.1x3.1	
TA0829A	915	10	4	3.1x3.1	
TA915FC	915	26.0	3.5	3.9x3.9	ISM Band
TA0281A	915	26.0	3.5	3.1x3.1	ISM Band
TA915EC	915	26.0	3.2	3.9x3.9	ISM Band
TA0521A	915	6	4.3	3.9x3.9	
TA0299A	915	26	3.0	2.5x2.0	
TA0792A	915.3	21.8	3.5	3.9x3.9	
TA0832A	915.3	21.8	3.5	3.9x3.9	
TA0673A	916.45	1.5	5	3.1x3.1	
TA0344A	916.45	4	3.5	3.1x3.1	
TA0666A	920	40	4.8	3.1x3.1	
TA0775A	922.5	5	4.2	3.1x3.1	
TA0644A	923.5	9	3.5	3.1x3.1	
TA0754A	925	6	4.2	3.1x3.1	
TA0463A	925	6	4.2	3.9x3.9	
TA0254A	930	20	3	3.1x3.1	
TA0610A	930.5	8	4.5	3.9x3.9	
TA930H1	930.5	4	4.5	F-11	Pager
TA930GC	930.5	4	4.5	3.9x3.9	Pager
TA935EC	935	3.0	4.0	3.9x3.9	Pager
TA0546A	940.5	39	4.5	3.1x3.1	
TA0434A	940.5	39	4.3	2.5x2.0	
TA0460A	940.5	39	4.4	3.1x3.1	
TA0390A	940.5	39	4.3	3.1x3.1	
TA0327A	941.5	35	4.0	3.1x3.1	Cellular Phone

Continued on next page...

Ordering Information

Product name + model number
eg: **GSRF TA0547A**

- ♦ Pad configurations and package heights may vary from those shown - please ask for a full specification sheet before ordering
- ♦ Full specifications of all models are available on request

Standard Models (continued)

Model Number	Centre Frequency (MHz)	Band width (MHz)	Ins Loss (dB)	Package	Application
TA942FG	942.5	35.00	3.5	3.1x3.1	Cellular Phone
TA0231A	942.5	35.0	4.0	2.5x2.05	Cellular Phone
TA0179A	942.5	35.0	4.0	2.5x2.0	Cellular Phone
TA0218A	942.5	35.0	4.0	2.5x2.0	Cellular Phone
TA942GG	942.5	35.00	3.0	3.1x3.1	Cellular Phone
TA0394A	942.5	35	4	3.1x3.1	
TA0230A	942.5	35.0	3.8	3.1x3.1	Cellular Phone
TA0152A	942.5	35.00	4.0	3.1x3.1	Cellular Phone
TA0748A	947.5	25	3.5	3.1x3.1	
TA0361A	947.5	25	3	3.1x3.1	Cellular Phone
TA947GG	947.5	25.0	3.5	3.1x3.1	Cellular Phone
TA947FG	947.5	25.00	3.0	3.1x3.1	Cellular Phone
TA0373A	947.5	25	4.3	3.1x3.1	Cellular Phone
TA0564A	960	36	4	3.1x3.1	
TA0729A	974	40	5	3.1x3.1	
TA0244A	976	32	3.5	3.1x3.1	Cable Modem
TA0689A	978	5	3.5	3.1x3.1	
TA0674A	996	8	4	3.1x3.1	
TA0820A	996.34	30	1.9	3.1x3.1	
TA0444A	999	40	4.8	3.1x3.1	
TA0477A	1013	1	4.5	3.1x3.1	
TA0177A	1030	30	3.0	3.9x3.9	
TA0690A	1030	30	3	3.9x3.9	
TA0696A	1076.06	40	5	3.1x3.1	
TA0839A	1076.06	40	5	3.1x3.1	
TA0404A	1086	10	4.5	3.1x3.1	
TA0227A	1086	10	5.0	3.1x3.1	Cable Modem
TA1090EC	1090	30	3	3.9x3.9	
TA0232A	1090	12	5.3	3.9x3.9	Cable Modem
TA0691A	1090	12	5.3	3.9x3.9	
TA0267A	1120	40	4.5	3.1x3.1	Cable Modem
TA0620A	1150	32	3	3.1x3.1	
TA0314A	1150	16	5.0	3.1x3.1	WLAN
TA0675A	1176.45	20	4.1	3.1x3.1	
TA0844A	1178.12	40	5	3.1x3.1	
TA0730A	1178.12	40	5	3.1x3.1	
TA0364A	1216	8	5.5	3.1x3.1	STB
TA0288A	1216.88	8	4.9	3.1x3.1	Cable Modem
TA0355A	1216.88	8	5	3.1x3.1	Cable Modem
TA0786A	1220	10	5.3	3.1x3.1	
TA0292A	1220	28	5.7	3.1x3.1	Cable Modem
TA0304A	1220	8.0	6.0	3.1x3.1	Cable Modem
TA0194A	1220	8.0	4.8	3.9x3.9	Cable Modem
TA0269A	1220	8.0	4.8	3.1x3.1	Cable Modem
TA1227BB	1227	20	2.2	3.1x3.1	
TA1227LL	1227	20	1.3	3.1x3.1	
TA0509A	1228	20	4.4	3.1x3.1	
TA0490A	1228	20	3.9	3.1x3.1	
TA0836A	1237	40	3	3.1x3.1	
TA0871A	1237.5	24	4	3.1x3.1	
TA0260A	1240	20	5.8	3.1x3.1	
TA0862A	1268.52	20.46	3.2	3.1x3.1	
TA0726A	1280.18	40	5	3.1x3.1	
TA0536A	1300	8	4.5	3.1x3.1	
TA0840A	1300	8	4.5	3.1x3.1	
TA0566A	1330	8	4.6	3.1x3.1	
TA0375A	1330	8	4.5	3.1x3.1	
TA0332A	1350	15	4.5	3.1x3.1	
TA0697A	1382.24	40	5	3.1x3.1	
TA0718A	1397.5	5	3.6	3.1x3.1	

Standard Models (continued)

Model Number	Centre Frequency (MHz)	Band width (MHz)	Ins Loss (dB)	Package	Application
TA0719A	1461.5	5	4	3.1x3.1	
TA0567A	1472	40	5	3.1x3.1	
TA0698A	1484.3	40	5	3.1x3.1	
TA0720A	1486.5	5	4	3.1x3.1	
TA0522A	1500	20	4.2	3.1x3.1	
TA0425A	1542.5	35	4.0	2.5x2.05	GPS
TA1575LL	1575	20	1.3	3.1x3.1	
TA1575BB	1575	20	2.8	3.1x3.1	
TA0769A	1575.42	2	1.6	2.0x1.6	
TA0714A	1575.42	2	1.6	1.4x1.1	
TA0816A	1575.42	2	1.8	2.0x1.4	
TA0531A	1575.42	10	3	2.5x2.0	
TA0573A	1575.42	2	1.7	2.0x1.6	
TA0664A	1575.42	2	3.5	2.0x1.6	
TA0502A	1575.42	2	3.5	2.0x1.6	
TA1575GG	1575.42	2	3.5	3.1x3.1	GPS
TA0688A	1575.42	2	2	2.0x1.4	
TA0757A	1575.42	2	1.3	1.4x1.1	
TA0643A	1575.42	2	2	2.0x1.6	
TA1575IG	1575.42	2.40	2.0	3.1x3.1	GPS
TA0796A	1575.42	2	2.1	1.4x1.1	
TA0406A	1575.42	2.4	2.2	2.0x1.6	
TA0224A	1575.42	2.0	3.5	3.1x3.1	GPS
TA0440A	1575.42	2	4	3.1x3.1	
TA0295A	1575.42	2.0	3.5	2.5x2.0	GPS
TA0315A	1575.42	2	3.5	3.1x3.1	GPS
TA0316A	1575.42	2	3.5	3.1x3.1	GPS
TA0587A	1575.42	2	1.6	2.0x1.6	
TA0449A	1575.42	2.4	2.8	3.1x3.1	
TA0654A	1575.42	2	1.9	2.5x2.0	
TA0285A	1575.42	2.4	2.2	2.5x2.0	GPS
TA0699A	1586.36	40	5	3.1x3.1	
TA0638A	1590	59	4	3.1x3.1	
TA0676A	1592.5	43	3.5	3.1x3.1	
TA0528A	1615	20	4.6	3.1x3.1	
TA0788A	1642.5	35	3.5	2.5x2.0	
TA0426A	1642.5	35	3.5	2.5x2.0	
TA0872A	1687.5	24	4	3.1x3.1	
TA0727A	1688.42	40	5	3.1x3.1	
TA0682A	1720	24	3	3.1x3.1	
TA0755A	1732.5	45	3.5	3.1x3.1	
TA0656A	1747.5	75	4.4	2.5x2.0	
TA0762A	1747.5	75	4	3.1x3.1	
TA0391A	1747.5	75	4	3.1x3.1	
TA0702A	1765	30	3	3.1x3.1	
TA0667A	1785	60	4	3.1x3.1	
TA0728A	1790.48	40	5	3.1x3.1	
TA0798A	1795	15	3.5	3.1x3.1	
TA0206A	1842	75	4.0	2.5x2.0	Cellular Phone
TA0763A	1842.5	75	3.8	3.1x3.1	

Continued on next page...

Ordering Information

Product name + model number
eg: **GSRF TA0401A**

- ♦ Pad configurations and package heights may vary from those shown - please ask for a full specification sheet before ordering
- ♦ Full specifications of all models are available on request

Standard Models (continued)

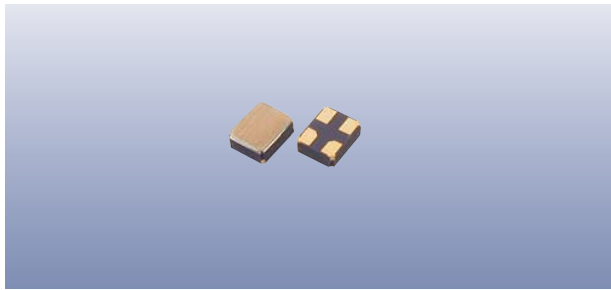
Model Number	Centre Frequency (MHz)	Band width (MHz)	Ins Loss (dB)	Package	Application
TA0363F	1842.5	75	3.8	3.1x3.1	Cellular Phone
TA0363A	1842.5	75	3.8	3.1x3.1	Cellular Phone
TA0318A	1842.5	75	4.0	2.5x2.05	Cellular Phone
TA0219A	1842.5	75.0	4.0	2.5x2.0	Cellular Phone
TA1842FG	1842.5	75.0	3.8	3.1x3.1	Cellular Phone
TA0703A	1855	30	3	3.1x3.1	
TA0604A	1870	60	4	3.1x3.1	
TA0613A	1880	65	4	3.1x3.1	
TA0294A	1880	60	4.0	3.1x3.1	Cellular Phone
TA0629A	1885	70	3.8	3.1x3.1	
TA0652A	1932.5	15	4	3.1x3.1	
TA0742A	1932.5	15	3	3.1x3.1	
TA0401A	1950	60	3.4	2.5x2.0	
TA0382A	1950	60	4	2.5x2.0	
TA0235A	1950	60	4.0	3.1x3.1	Cellular Phone
TA0614A	1960	65	4	3.1x3.1	
TA0246A	1960	60	4.0	2.5x2.0	Cellular Phone
TA0319A	1960	60	4.0	2.5x2.05	Cellular Phone
TA0175H	1960	60	4	3.1x3.1	Cellular Phone
TA0207A	1960	60	3.3	2.5x2.0	Cellular Phone
TA0175A	1960	60	4.0	3.1x3.1	Cellular Phone
TA0630A	1965	70	3.8	3.1x3.1	
TA0605A	1970	60	4	3.1x3.1	
TA0827A	1970	20	3.5	3.1x3.1	
TA0711A	1972.5	15	4	3.1x3.1	
TA0724A	2017	19	4	3.1x3.1	
TA0768A	2045	15	3	3.1x3.1	
TA0741A	2067.5	84	4	3.1x3.1	
TA0653A	2120	20	4	3.1x3.1	
TA0228A	2122.5	35	4.0	3.1x3.1	Cellular Phone
TA0743A	2122.5	15	3	3.1x3.1	
TA0756A	2132.5	45	3.7	3.1x3.1	
TA0384A	2140	60	4.1	2.5x2.05	
TA0402A	2140	60	3.5	2.5x2.0	
TA0174A	2140	60.00	3.5	3.1x3.1	Cellular Phone
TA0174G	2140	60	3.5	3.1x3.1	Cellular Phone
TA0229A	2158	35	4.0	3.1x3.1	Cellular Phone
TA0733A	2160	20	3.5	3.1x3.1	
TA0465A	2160	60	3.5	3.1x3.1	
TA0712A	2162.5	15	4	3.1x3.1	
TA0700A	2250	100	4.5	3.1x3.1	
TA0803A	2313.5	27	3	3.1x3.1	
TA0830A	2313.5	100	4	3.1x3.1	
TA0843A	2330	60	3.2	3.1x3.1	
TA0273A	2332.5	25.00	4.0	3.1x3.1	Remote Control
TA0515A	2345	27	4	3.1x3.1	
TA0819A	2375	30	2.5	3.1x3.1	
TA0223A	2441.8	83.5	5.0	3.1x3.1	
TA0532A	2441.8	83.5	5	3.1x3.1	Bluetooth
TA0222A	2442	55	6.0	3.1x3.1	
TA0795A	2535	70	3.6	3.1x3.1	
TA0759A	2580	30	3.5	3.1x3.1	
TA0744A	2592.5	27	4	3.1x3.1	
TA0760A	2610	30	3.5	3.1x3.1	
TA0545A	2650	70	3.5	3.1x3.1	
TA0835A	2665	70	3.6	3.1x3.1	
TA0761A	2675	30	3.5	3.1x3.1	

Ordering Information

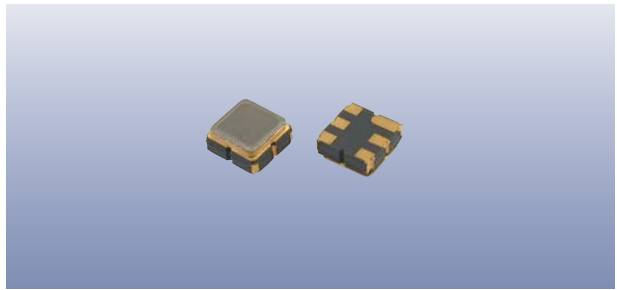
Product name + model number
eg: **GSRF TA0547A**

- ♦ Pad configurations and package heights may vary from those shown - please ask for a full specification sheet before ordering
- ♦ Full specifications of all models are available on request

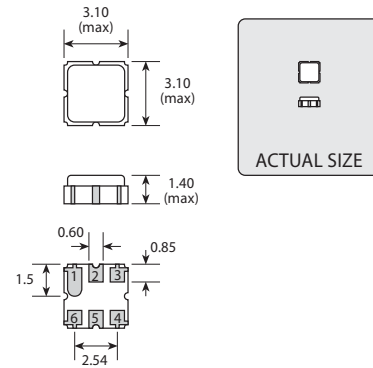
2.5 x 2.0



3.1 x 3.1



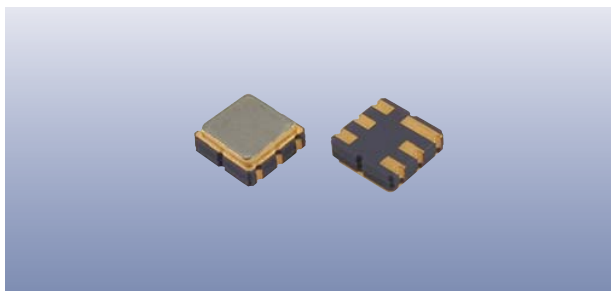
DRAWING UNDER DEVELOPMENT



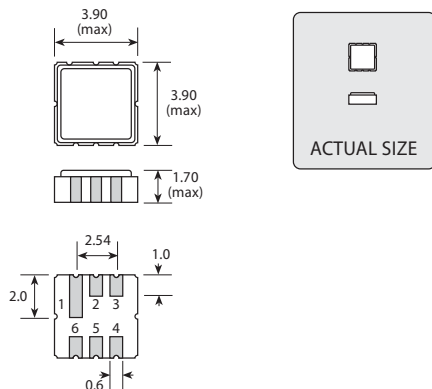
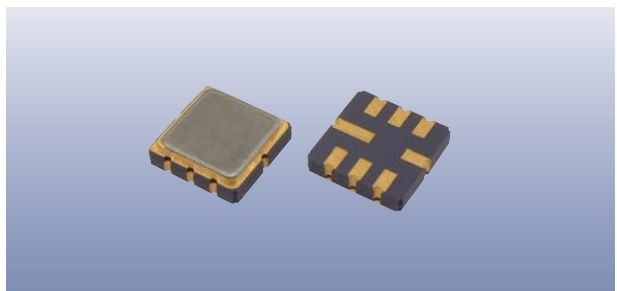
Scale 3:1

Pad connections may vary by model. Check the full specification sheet before ordering

3.9 x 3.9

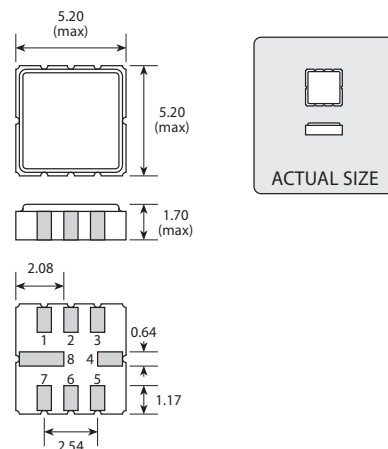


5.2 x 5.2



Scale 3:1

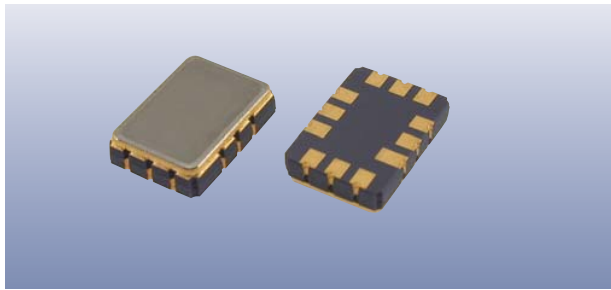
Pad connections may vary by model. Check the full specification sheet before ordering



Scale 3:1

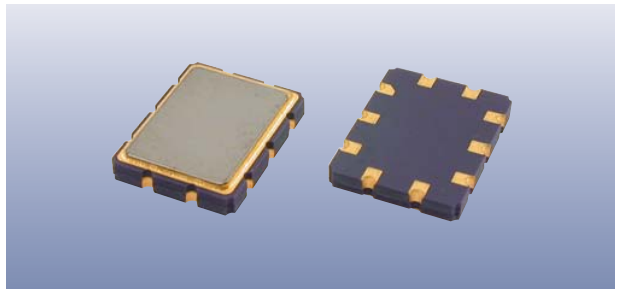
Pad connections may vary by model. Check the full specification sheet before ordering

7.0 x 5.0



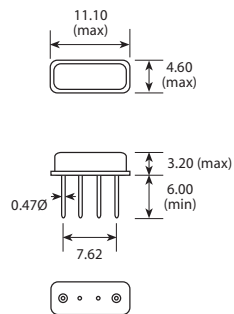
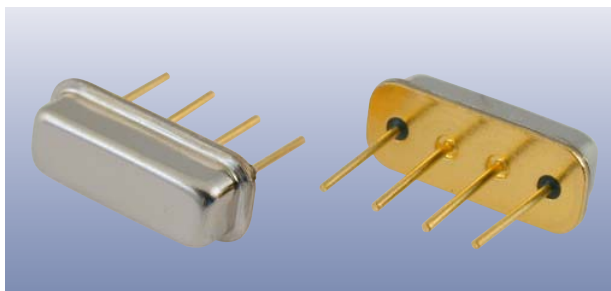
DRAWING UNDER DEVELOPMENT

9.1 x 7.1



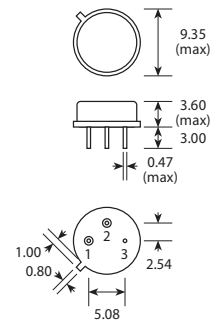
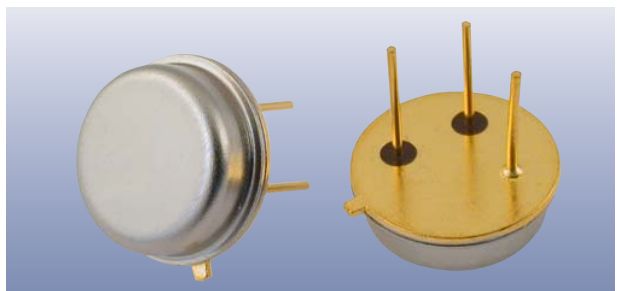
DRAWING UNDER DEVELOPMENT

F-11



Scale 1:1

T0-39



Scale 1:1