



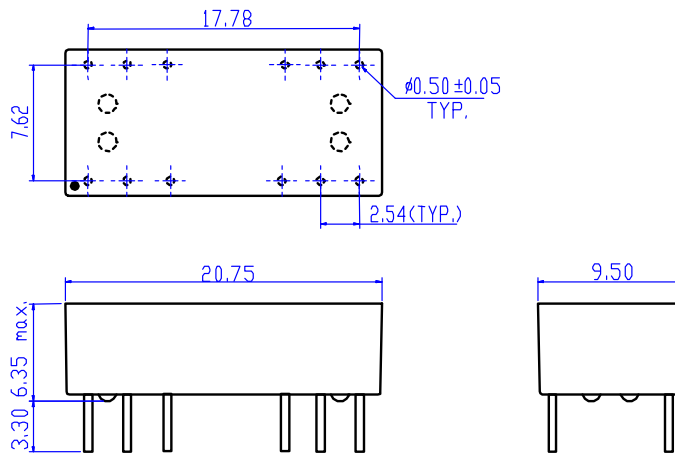
- ◆ Designed to meet IEEE802.3u requirement.
- ◆ Primary inductance 350 $\mu$ H min. with 8mA DC Bias
- ◆ PTH Type

### Electrical Characteristic @25°C

Model No.	Turn Ratio TX/RX	Insertion Loss dB Typ 0.1-100MHz	Return Loss dB 30/60/80MHz	Cross Talk dB Typ 60/100MHz	Schematic
PH163003B	1:1/1:1	1.0	-16/note/-10	-40/-38	S-1
20PMT04B	1:1/1:1	1.0	-16/note/-10	-40/-38	S-3
20PMT05B	1:1/1:1	1.0	-16/note/-10	-40/-38	S-2
PT163031B	2:1/1:1	1.0	-16/note/-10	-40/-38	S-4

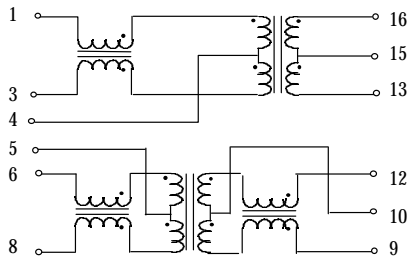
Note : Greater than 16-20log(f/30MHz)

### Dimension

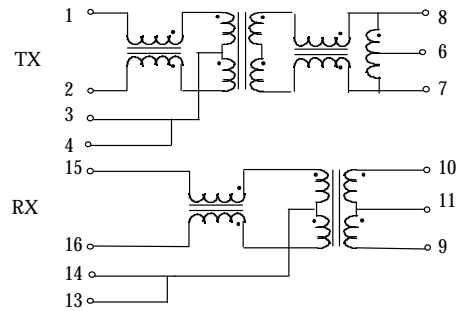


### Schematic

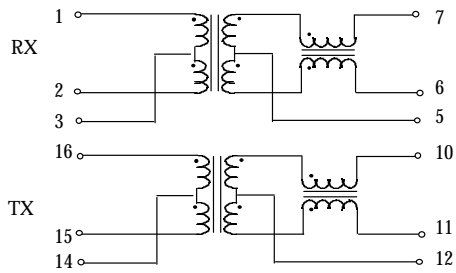
**S-1**



**S-2**



**S-3**



**S-4**

