

# RC5041

## Programmable DC-DC Converter for Pentium<sup>®</sup> P55C, K6<sup>™</sup>, and 6x86MX<sup>™</sup> (M2) Processors

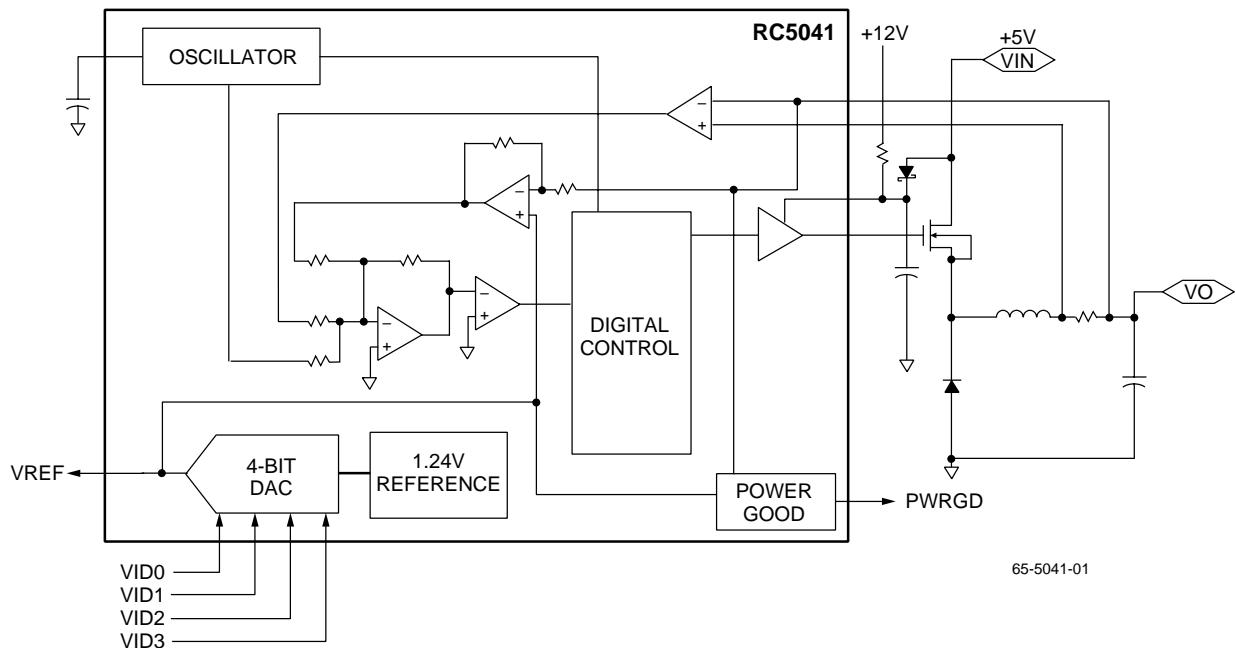
### Features

- Programmable output from 2.1V to 3.5V using integrated 4-bit DAC
- 87% efficiency
- Oscillator frequency adjustable from 200KHz to 1MHz
- On-chip Power Good function
- Excellent transient response
- Over-Voltage Protection
- Short Circuit Protection
- Power Good Function
- Precision trimmed low TC voltage reference
- 16 pin SOIC package
- Meets Intel Pentium VRM specifications using minimum number of external components

### Applications

- Programmable power supply for P54C, P55C, K6, and M2 based CPU motherboards
- VRM module for Pentium and equivalent CPU's
- Programmable power supply for high current microprocessors

### Block Diagram



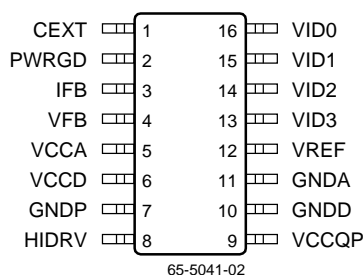
### Description

The RC5041 is a non-synchronous DC-DC controller IC which provides an accurate, programmable output for Pentium CPU applications. Using an integrated 4-bit DAC to accept a voltage identification (VID), the RC5041 can generate precise output voltages between 2.1V and 3.5V in 100mV increments. Output load currents in excess of 10A can be delivered using minimal external circuitry. The RC5041 is designed to operate in a standard PWM control mode under heavy load conditions and in PFM control mode while supplying light loads for optimal efficiency. An on-board precision low TC voltage reference eliminates the requirement for external components in order to achieve tight voltage regulation. The Pentium CPU is continuously protected by an integrated Power Good function, which sends an active-low interrupt signal to the CPU in the event that the output voltage is out of tolerance. The internal oscillator can be programmed to operate over a range of 200KHz to 1MHz to allow flexibility in choosing external components.

**Preliminary Information**

Pentium is a registered trademark of Intel Corporation.  
K6 is a trademark of AMD Corporation.  
6x86MX is a trademark of Cyrix Corporation.

## Pin Assignments



## Pin Definitions

Pin Number	Pin Name	Pin Function Description
1	CEXT	<b>Oscillator capacitor connection.</b> Connecting an external capacitor to this pin sets the internal oscillator frequency from 200 KHz to 1 MHz. Layout of this pin is critical to system performance. See Application Information for details.
2	PWRGD	<b>Power Good output flag.</b> Open collector output will be at logic HIGH under normal operation. Logic LOW indicates output voltage is not within $\pm 10\%$ of nominal.
3	IFB	<b>High side current feedback.</b> Pins short 4 and 5 are used as the inputs for the current feedback control loop and as the short circuit current sense points. Layout of these traces is critical to system performance. See Application Information for details.
4	VFB	<b>Voltage feedback.</b> Pin 5 is used as the input for the voltage feedback control loop and as the low side current feedback input. Layout of this trace is critical to system performance. See Application Information for details.
5	VCCA	<b>Analog Vcc.</b> Connect to system 5V supply and decouple to ground with 0.1 $\mu$ F ceramic capacitor.
6	VCCD	<b>Digital Vcc.</b> Connect to system 5V supply and decouple to ground with 4.7 $\mu$ F tantalum capacitor.
7	GNDP	<b>Power ground.</b> Return pin for high currents flowing in pins 8 and 9 (HIDRV and VCCQP). Connect to low impedance ground. See Application Information for details.
8	HIDRV	<b>FET driver output.</b> Connect this pin to the gate of the N-channel MOSFETs M1 and M2 in Figures 1 and 2. The trace from this pin to the MOSFET gates should be kept as short as possible (less than 0.5"). See Application Information for details.
9	VCCQP	<b>Power Vcc for FET Driver.</b> VCCQP must be connected to a voltage of at least $V_{CC} + V_{GS,ON}$ (M1). See Application Information for details.
10	GNDD	<b>Digital ground.</b> Return path for digital logic. This pin should be connected to system ground so that ground loops are avoided. See Application Information for details.
11	GNDA	<b>Analog ground.</b> Return path for low power analog circuitry. Connect to system ground so that ground loops are avoided. See Application Information for details.
12	VREF	<b>Reference voltage test point.</b> This pin provides access to the DAC output and should be decoupled to ground using a 0.1 $\mu$ F capacitor. No load should be connected to this pin.
13–16	VID3–VID0	<b>Voltage identification (VID) code inputs.</b> These open collector/TTL compatible inputs will program the output voltage over the ranges specified in Table 1.

**Table 1. Voltage Identification Codes for P55/K6**

Data Bits				VCCP (VDC)
VID3	VID2	VID1	VID0	
1	1	1	1	No CPU
1	1	1	0	2.1
1	1	0	1	2.2
1	1	0	0	2.3
1	0	1	1	2.4
1	0	1	0	2.5
1	0	0	1	2.6
1	0	0	0	2.7

Data Bits				VCCP (VDC)
VID3	VID2	VID1	VID0	
0	1	1	1	2.8
0	1	1	0	2.9
0	1	0	1	3.0
0	1	0	0	3.1
0	0	1	1	3.2
0	0	1	0	3.3
0	0	0	1	3.4
0	0	0	0	3.5

### Absolute Maximum Ratings<sup>1</sup>

Control Supply Voltages, VCCA and VCCD	7V
FET Supply Voltage, VCCQP	13V
Voltage Identification Code Inputs, VID3-VID0	7V
Junction Temperature, T <sub>J</sub>	150°C
Storage Temperature, T <sub>S</sub>	-65 to 150°C
Lead Soldering Temperature, 10 seconds	300°C

**Notes:**

1. Functional operation under any of these conditions is not implied. Permanent damage may occur if the device is subjected to conditions outside these ratings.

### Operating Conditions

Parameter	Min.	Typ.	Max.	Units
Control Supply Voltages, VCCA and VCCD	4.75	5	5.25	V
Driver Supply Voltage, VCCQP	9	10	12	V
VID Code Input Voltage, Logic HIGH	2			V
VID Code Input Voltage, Logic LOW			0.8	V
PWRGD HIGH Threshold		±7		%VREF
PWRGD LOW Threshold		±10		%VREF
Ambient Temperature, T <sub>A</sub>	0		70	°C

### Electrical Specifications

(VCCA = 5V, V<sub>OUT</sub> = 2.8V, f<sub>osc</sub> = 300 KHz, and T<sub>A</sub> = +25°C using circuit in Figure 1, unless otherwise noted)

The • denotes specifications which apply over the full operating temperature range.

Parameter	Conditions	Min.	Typ.	Max.	Units
Output Voltage	See Table 1	•		3.5	V
Output Current			13		A
Initial Voltage Setpoint	I <sub>LOAD</sub> = 0.8A		±20		mV
Output Temperature Drift	T <sub>A</sub> = 0 to 60°C	•	+10		mV
Load Regulation	I <sub>LOAD</sub> = 0.8A to 10A	•	-20		mV
Line Regulation	V <sub>IN</sub> = 4.75V to 5.25V	•	±2		mV
Output Ripple/Noise, pk-pk	20MHz BW, I <sub>LOAD</sub> = 10A		20		mV

### Electrical Specifications (continued)

(V<sub>CCA</sub> = 5V, V<sub>OUT</sub> = 2.8V, f<sub>osc</sub> = 300 KHz, and T<sub>A</sub> = +25°C using circuit in Figure 1, unless otherwise noted)

The • denotes specifications which apply over the full operating temperature range.

Parameter	Conditions	Min.	Typ.	Max.	Units
Output Voltage Regulation	Steady State <sup>1</sup>	• 2.74	2.80	2.90	V
	Transient <sup>2</sup>	• 2.70	2.80	2.90	V
Efficiency	I <sub>LOAD</sub> = 10A, V <sub>OUT</sub> = 2.8V	• 80	85		%
Output Driver Rise and Fall Time	See Figure 2		50		ns
Turn-on Response Time	I <sub>LOAD</sub> = 0A to 10A			10	ms
Oscillator Range		80	300	1000	KHz
Oscillator Frequency	C <sub>EXT</sub> = 100 pF		300		KHz
Maximum Duty Cycle		90	95		%

**Notes:**

1. Steady State Voltage Regulation includes Initial Voltage Setpoint, DC load regulation, output ripple/noise and temperature drift.
2. These specifications assume a minimum of 20, 1µF ceramic capacitors are placed directly next to the CPU in order to provide adequate high-speed decoupling. For motherboard applications, the PCB layout must exhibit no more than 0.5mΩ parasitic resistance and 1nH parasitic inductance between the converter output and the CPU.

### Test Circuits

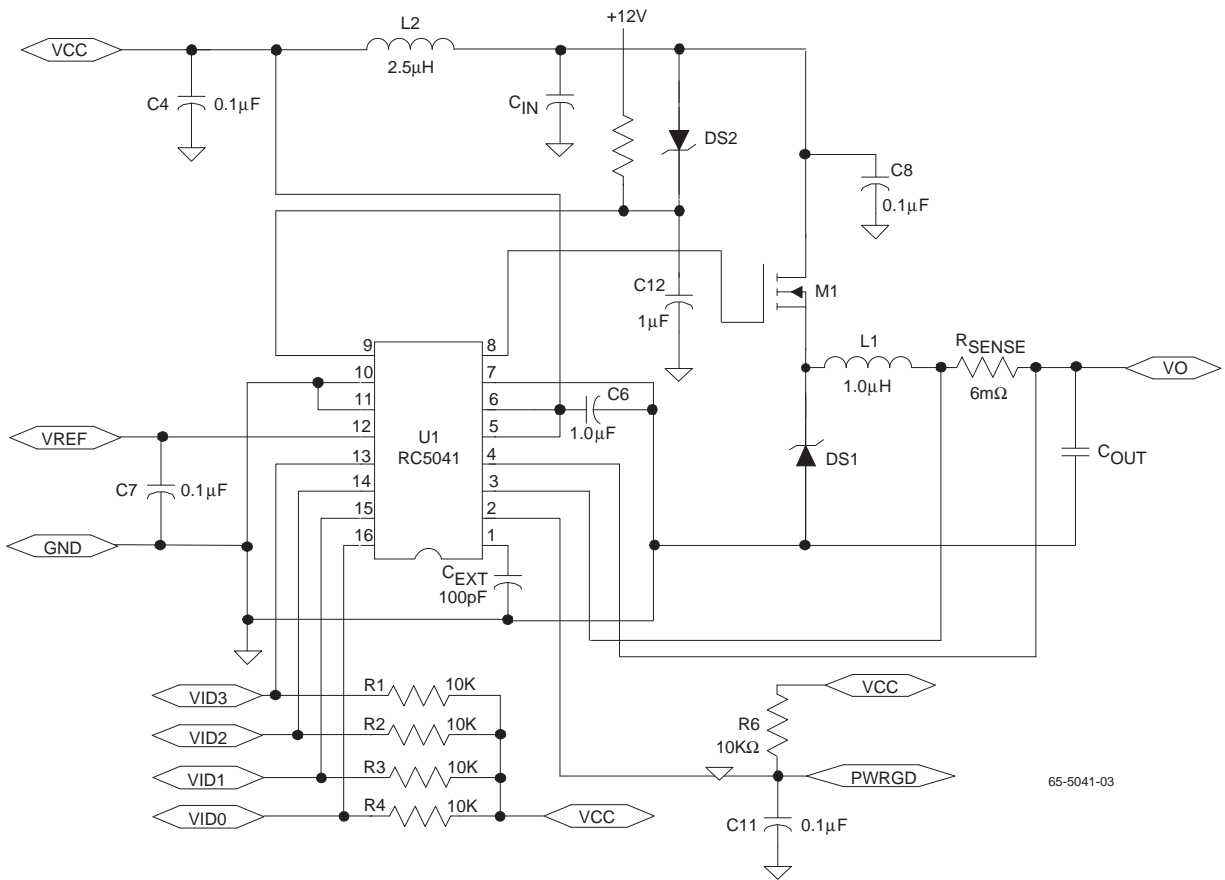


Figure 1. Standard Test or Application Schematic

Preliminary Information

**Table 2. Bill of Materials for a 4-Bit Non-Synchronous DC-DC Converter**

Item	Description	Comments
C4	Ceramic Capacitor, 0.1μF, X7R, SMT0805	
C12	Ceramic Capacitor, 1μF, X7R, SMT0805	
C8	Ceramic Capacitor, 0.1μF, X7R, SMT0805	
CEXT	Ceramic Capacitor, 100pF, X7R, SMT0805	
C6	Ceramic Capacitor, 1μF, X7R, SMT0805	
C11	Ceramic Capacitor, 0.1μF, X7R, SMT0805	
C7	Capacitor, 0.1μF, X7R, SMT0805	
CIN	Capacitor, Al-Elect, 1200μF, 10v, 10 x 20 radial	See Table 3
COUT	Capacitor, Al-Elect, 1500μF, 6.3v, 10 x 20 radial	See Table 3
DS1	Schottky Diode, MBR2535CT	
DS2	Schottky Diode, 1N5817	
L1	Output Inductor, 1.0μH, Toroid, 6 turns 17AWG	
L2	Input Inductor, 2.5μH, Toroid, 10 turns 17AWG	See Note 1
RSENSE	Sense Resistor, CuNi Allow Wire, 1W, 6mΩ, 10%	
R1	10Ω Resistor, 1/8W, 5%, SMT0805	
R2	10Ω Resistor, 1/8W, 5%, SMT0805	
R3	10Ω Resistor, 1/8W, 5%, SMT0805	
R4	10Ω Resistor, 1/8W, 5%, SMT0805	
R6	10Ω Resistor, 1/8W, 5%, SMT0805	
M1	N-ch Power FET	See Table 2
U1	PWM Controller, Raytheon RC5041M	

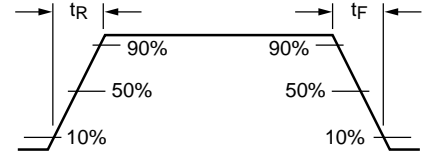
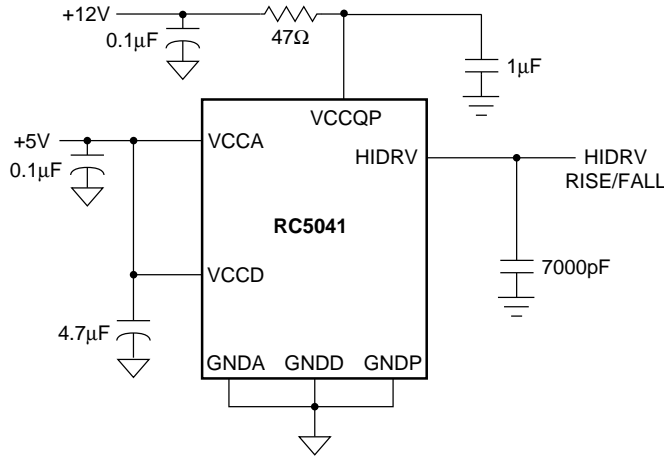
**Note:**

1. The inductor L2 is recommended to isolate the 5V ipower supply from current surges caused by the MOSFET switching. This inductor is not required for the proper operation of the DC-DC converter and can be substituted with a ferrite beads inductor or omitter completely.

**Table 3. Part Selection Table**

K6 CPU	Output Voltage	IMAX	Raytheon DC-DC Converter	CIN Sanyo 10MV1200GX	COUT Sanyo 6MV1500GX	MOSFET
166 MHz	2.9V	6.25A	RC5041	1x	2x	IRL3103
200 MHz	2.9V	7.5A		1x	2x	IRL3103
233 MHz	3.2V	9.5A		2x	4x	IRL3103
266 MHz	3.2V	13.0A		3x	6x	IRL2203
300 MHz+	2.1V	5.6A		1x	2x	IRL3103

**Preliminary Information**

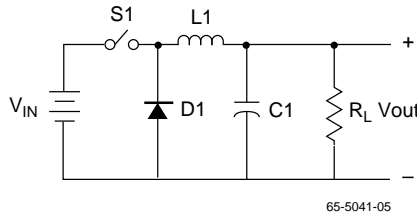


65-5041-04

Figure 2. Output Driver Test Circuit

## Application Information

### Simple Step-Down Converter



65-5041-05

Figure 3. Simple Buck DC-DC Converter

Figure 3 illustrates a step-down DC-DC converter with no feedback control. The derivation of the basic step-down converter will serve as a basis for the design equations for the RC5041. Referring to Figure 3, the basic operation begins by closing the switch S1. When S1 is closed, the input voltage  $V_{IN}$  is impressed across inductor L1. The current flowing in this inductor is given by the following equation:

$$I_L = \frac{(V_{IN} - V_{OUT})T_{ON}}{L1}$$

Where  $T_{ON}$  is the duty cycle (the time when S1 is closed).

When S1 opens, the diode D1 will conduct the inductor current and the output current will be delivered to the load according to the equation:

$$I_L = \frac{V_{OUT}(T_S - T_{ON})}{L1}$$

Where  $T_S$  is the overall switching period, and  $(T_S - T_{ON})$  is the time during which S1 is open.

By solving these two equations, we can arrive at the basic relationship for the output voltage of a step-down converter:

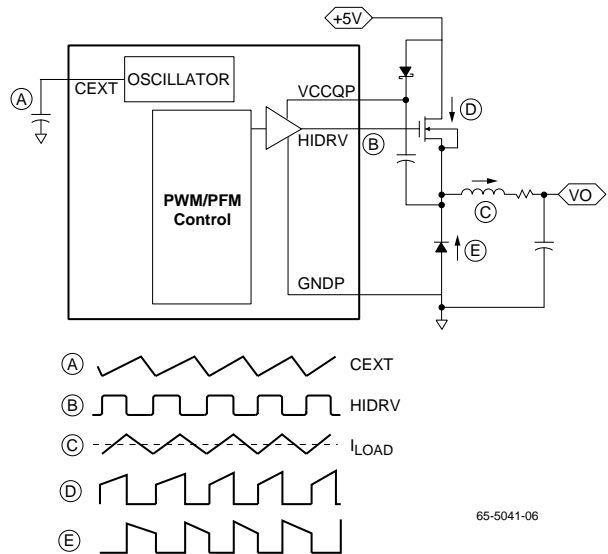
$$V_{OUT} = V_{IN} \left( \frac{T_{ON}}{T_S} \right)$$

In order to obtain a more accurate approximation for  $V_{OUT}$ , we must also include the forward voltage  $V_D$  across diode D1 and the switching loss,  $V_{sw}$ . After taking into account these factors, the new relationship becomes:

$$V_{OUT} = (V_{IN} + V_D - V_{sw}) \frac{T_{ON}}{T_S} - V_D$$

### Overview

The RC5041 is a programmable DC-DC controller IC. When designed around the appropriate external components, the RC5041 can be configured to deliver more than 14.5A of output current. During heavy loading conditions, the RC5041 functions as a current-mode PWM step-down regulator. Under light loads, the regulator functions in the PFM (pulse frequency modulation), or pulse skipping mode. The controller will sense the load level and switch between the two operating modes automatically, thus optimizing its efficiency under all loading conditions.



65-5041-06

Figure 4. Typical Switching Waveforms

## Main Control Loop

Refer to the Block Diagram on page 1. The control loop of the regulator contains two main sections, the analog control block and the digital control block. The analog block consists of signal conditioning amplifiers feeding into a set of comparators which provide the inputs to the digital block. The signal conditioning section accepts inputs from the IFB (current feedback) and VFB (voltage feedback) pins and sets up two controlling signal paths. The voltage control path amplifies the VFB signal and presents the output to one of the summing amplifier inputs. The current control path takes the difference between the IFB and VFB pins and presents the resulting signal to another input of the summing amplifier. These two signals are then summed together with the slope compensation input from the oscillator. This output is then presented to a comparator, which provides the main PWM control signal to the digital control block.

The additional comparators in the analog control section set the thresholds of where the RC5041 enters its pulse skipping mode during light loads as well as the point at which the maximum current comparator disables the output drive signals to the external power MOSFETs.

The digital control block is designed to take the comparator inputs along with the main clock signal from the oscillator and provide the appropriate pulses to the HIDRV output pin that controls the external power MOSFET. The digital section was designed utilizing high speed Schottky transistor logic, thus allowing the RC5041 to operate at clock speeds as high as 1MHz.

## High Current Output Drivers

The RC5041 contains one high current output drivers which utilize high speed bipolar transistors arranged in a push-pull configuration. The driver is capable of delivering 1A of current in less than 100ns. The driver's power and ground are separated from the overall chip power and ground for additional switching noise immunity.

## Internal Voltage Reference

The reference included in the RC5041 is a 1.24V precision band-gap voltage reference. The internal resistors are precisely trimmed to provide a near zero temperature coefficient (TC). Added to the reference input is the resulting output from an integrated 4-bit DAC. The DAC is provided in accordance with the Pentium Pro specification guideline, which requires the DC-DC converter output to be directly programmable via a 4-bit voltage identification (VID) code. This code will scale the reference voltage from 2.0V (no CPU) to 3.5V in 100mV increments. For guaranteed stable operation under all loading conditions, a 10K $\Omega$  pull-up resistor and 0.1 $\mu$ F of decoupling capacitance should be connected to the VREF pin.

## Power Good

The RC5041 Power Good function is designed in accordance with the Pentium Pro DC-DC converter specification and provides a constant voltage monitor on the VFB pin. The circuit compares the VFB signal to the VREF voltage and outputs an active-low interrupt signal to the CPU should the power supply voltage exceed  $\pm 12\%$  of its nominal setpoint. The Power Good flag provides no other control function to the RC5041.

## Over-Voltage Protection

The RC5041 provides a constant monitor of the output voltage for protection against overvoltage conditions. If the voltage at the VFB pin exceeds 20% of the selected program voltage, an overvoltage condition will be assumed, and the RC5041 will disable the output drive signal to the MOSFET(s).

## Short Circuit Protection

A current sense methodology is implemented to disable the output drive signal to the MOSFET(s) when an over-current condition is detected. The voltage drop created by the output current flowing across a sense resistor is presented to an internal comparator. When voltage developed across the sense resistor exceeds the comparator threshold voltage, the RC5041 will disable the output drive signal to the MOSFET(s).

The DC-DC converter returns to normal operation after the fault has been removed, for either an overvoltage or a short circuit condition.

## Oscillator

The RC5041 oscillator section is implemented using a fixed current capacitor charging configuration. An external capacitor (CEXT) is used to preset the oscillator frequency between 80KHz and 1MHz. This scheme allows maximum flexibility in setting the switching frequency as well as choosing external components.

In general, a lower operating frequency will increase the peak ripple current flowing in the output inductor, and thus require the use of a larger inductor value. Operation at lower frequencies also increases the amount of energy storage that must be provided by the bulk output capacitors during load transients due to the slower loop response of the controller.

The user should note that the efficiency losses due to switching are relatively fixed per switching cycle. Therefore, as the switching frequency is increased, so is the contribution toward efficiency due to switching losses.

Careful analysis of the RC5041 DC-DC controller has resulted in an optimal operating frequency of 300KHz, which allows the use of smaller inductive and capacitive components while maximizing peak efficiency under all operating conditions.



## Design Considerations and Component Selection

### MOSFET Selection

This application requires N-channel Logic Level Enhancement Mode Field Effect Transistors. Desired characteristics are as follows:

- Low Static Drain-Source On-Resistance,  $R_{DS(on)} < 20 \text{ m}\Omega$  (lower is better)

- Low gate drive voltage,  $V_{GS} < 4\text{V}$
- Power package with low thermal resistance
- Drain current rating of 20A minimum
- Drain-Source voltage  $> 15\text{V}$ .

The on-resistance ( $R_{DS(ON)}$ ) is the primary parameter for MOSFET selection. The on-resistance determines the power dissipation of the MOSFET and therefore significantly affects the efficiency of the DC-DC Converter. Table 3 provides a list of suitable MOSFETs for this application.

**Table 3. MOSFET Selection Table**

Manufacturer & Model #	Conditions <sup>1</sup>		R <sub>DS,ON</sub> (mΩ)		Package	Thermal Resistance
			Typ.	Max.		
Megamos MiP30N03A	V <sub>GS</sub> = 4.5V, I <sub>D</sub> = 6A	T <sub>J</sub> = 25°C	16	25	TO-220	Φ <sub>JA</sub> = 62
		T <sub>J</sub> = 125°C	—	38		
Fuji 2SK1388	V <sub>GS</sub> = 4V, I <sub>D</sub> = 20A	T <sub>J</sub> = 25°C	25	37	TO-220	Φ <sub>JA</sub> = 75
		T <sub>J</sub> = 125°C	37	56		
Int. Rectifier IRL3803	V <sub>GS</sub> = 4.5V, I <sub>D</sub> = 59A	T <sub>J</sub> = 25°C	6.1	9	TO-220	Φ <sub>JA</sub> = 62
		T <sub>J</sub> = 125°C	—	14		
Int. Rectifier IRL2203	V <sub>GS</sub> = 4.5V, I <sub>D</sub> = 50A	T <sub>J</sub> = 25°C	8.2	10	TO-220	Φ <sub>JA</sub> = 62
		T <sub>J</sub> = 125°C	—	16		
Int. Rectifier IRL3103	V <sub>GS</sub> = 4.5V, I <sub>D</sub> = 28A	T <sub>J</sub> = 25°C	16	19	TO-220	Φ <sub>JA</sub> = 62
		T <sub>J</sub> = 125°C	—	29		
NS NDP706A	V <sub>GS</sub> = 5.0V, I <sub>D</sub> = 40A	T <sub>J</sub> = 25°C	13	15	TO-220	Φ <sub>JA</sub> = 62
		T <sub>J</sub> = 125°C	20	24		
NEC 2SK2941	V <sub>GS</sub> = 4.0V, I <sub>D</sub> = 18A	T <sub>J</sub> = 25°C	22	33	TO-220	Φ <sub>JA</sub> = 83
		T <sub>J</sub> = 125°C	—	50		
NEC 2SK2984	V <sub>GS</sub> = 4.0V, I <sub>D</sub> = 20A	T <sub>J</sub> = 25°C	10.5	15	TO-220	Φ <sub>JA</sub> = 83
		T <sub>J</sub> = 125°C	—	23		
NEC μPA1703	V <sub>GS</sub> = 4.0V, I <sub>D</sub> = 5A	T <sub>J</sub> = 25°C	12	17	SO-8	Φ <sub>JA</sub> = 125
		T <sub>J</sub> = 125°C	—	26		
Int. Rectifier IRF7413A	V <sub>GS</sub> = 4.5V, I <sub>D</sub> = 3.3A	T <sub>J</sub> = 25°C	—	20	SO-8	Φ <sub>JA</sub> = 125
		T <sub>J</sub> = 125°C	—	30		
Int. Rectifier IRF7413	V <sub>GS</sub> = 4.5V, I <sub>D</sub> = 3.7A	T <sub>J</sub> = 25°C	—	18	SO-8	Φ <sub>JA</sub> = 125
		T <sub>J</sub> = 125°C	—	27		
Int. Rectifier IRL3103A	V <sub>GS</sub> = 4.5V, I <sub>D</sub> = 28A	T <sub>J</sub> = 25°C	—	19	D <sup>2</sup> PAK	Φ <sub>JA</sub> = 40
		T <sub>J</sub> = 125°C	—	29		

**Note:**

1. R<sub>DS(ON)</sub> values at T<sub>J</sub>=125°C for most devices were extrapolated from the typical operating curves supplied by the manufacturers and are approximations only. Only National Semiconductor offers maximum values at T<sub>J</sub> = 125°C.



### Two MOSFETs in Parallel

For high current requirements, we recommend that two MOSFETs be used in parallel instead of one single MOSFET. Significant advantages are realized using two MOSFETs in parallel:

- **Significant reduction of power dissipation.**

Maximum current of 14A with one MOSFET:

$$\begin{aligned}
 P_{\text{MOSFET}} &= (I^2 R_{\text{DS(ON)}})(\text{Duty Cycle}) \\
 &= (14)^2(0.050^*)(3.3+0.4)/(5+0.4-0.35) \\
 &= 7.2 \text{ W}
 \end{aligned}$$

With two MOSFETs in parallel:

$$\begin{aligned}
 P_{\text{MOSFET}} &= (I^2 R_{\text{DS(ON)}})(\text{Duty Cycle}) \\
 &= (14/2)^2(0.037^*)(3.3+0.4)/(5+0.4-0.35) \\
 &= 1.3\text{W/FET}
 \end{aligned}$$

\*Note:  $R_{\text{DS(on)}}$  increases with temperature. Assume  $R_{\text{DS(on)}} = 0.025$  at 25°C.  $R_{\text{DS(on)}}$  can easily increase to 0.050W at high temperature when using a single MOSFET. When using two MOSFETs in parallel, the temperature effects should not cause the  $R_{\text{DS(on)}}$  to rise above the listed maximum value of 37mW.

- **Less heat sink required.**

With power dissipation down to around one watt and with MOSFETs mounted flat on the motherboard, there will be considerably less heat sink required. The junction-to-case thermal resistance for the MOSFET package (TO-220) is typically at 2°C/W and the motherboard serves as an excellent heat sink.

- **Higher current capability.**

With thermal management under control, this on-board DC-DC converter is able to deliver load currents up to 14.5A with no problem at all.

### MOSFET Gate Bias

The MOSFET can be biased by one of two methods: Charge Pump and 12V Gate Bias.

#### Method 1. Charge pump (or Bootstrap) method

Figure 5 employs a charge pump to provide gate bias. Capacitor CP is the charge pump deployed to boost the voltage of the RC5041 output driver. When the MOSFET switches off, the source of the MOSFET is at -0.6V. VCCQP is charged through the Schottky diode to 4.5V. Thus, the capacitor CP is charged to 5V. When the MOSFET turns on, the source of the MOSFET voltage is equal to 5V. The capacitor voltage follows, and hence provides a voltage at VCCQP equal to 10V. The Schottky is required to provide the charge path when the MOSFET is off. The Schottky reverses bias when the VCCQP goes to 10V. The charge pump capacitor, CP, needs to be a high Q and high frequency capacitor. A 1µF ceramic capacitor is recommended here.

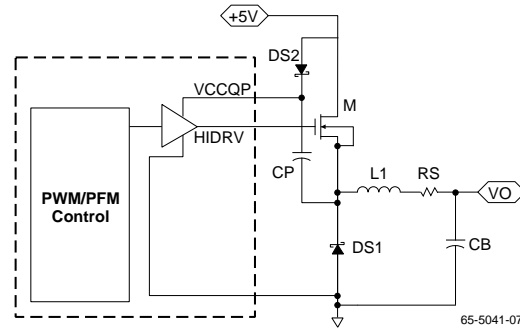


Figure 5. Charge Pump Configuration

#### Method 2. 12V Gate Bias

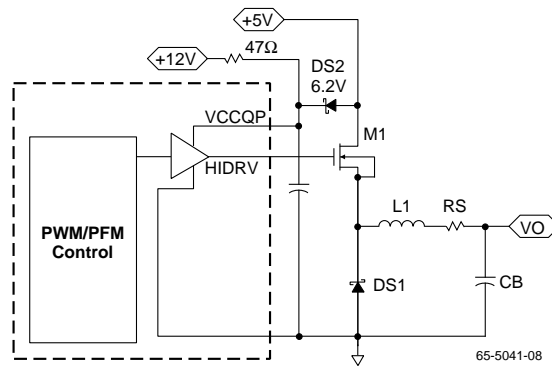


Figure 6. 12V Gate Bias Configuration

Figure 7 uses an external 12V source to bias VCCQP. A 47Ω resistor is used to limit the transient current into the VCCQP pin. A 1µF capacitor filter is used to filter the VCCQP supply. This method provides a higher gate bias voltage to the MOSFET, and therefore reduces the  $R_{\text{SD(ON)}}$  and resulting power loss within the MOSFET. Figure 8 illustrates how  $R_{\text{DS(ON)}}$  decreases dramatically as  $V_{\text{GS}}$  increases. A 6.2V Zener (DS2) is used to clamp the voltage at VCCQP to a maximum of 12V and ensure that the absolute maximum voltage of the IC will not be exceeded.

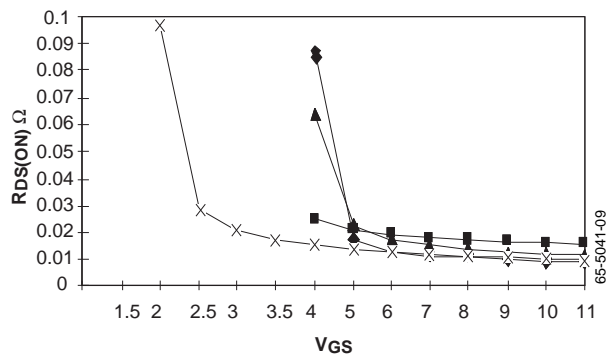


Figure 7. R<sub>DS(ON)</sub> vs. V<sub>GS</sub> for Typical MOSFETs

Preliminary Information

## Converter Efficiency

Losses due to parasitic resistance in the switches, coil, and sense resistor dominate at high load-current level. The major loss mechanisms under heavy loads, in usual order of importance, are:

- MOSFET  $I^2R$  Losses

- Inductor coil losses
- Sense resistor losses
- Gate-charge losses
- Diode-conduction losses
- Transition losses
- Input capacitor losses
- Losses due to the operating supply current of the IC.

Efficiency of the converter under heavy loads can be calculated as follows:

$$\text{Efficiency} = \frac{P_{\text{OUT}}}{P_{\text{IN}}} = \frac{I_{\text{OUT}} \times V_{\text{OUT}}}{I_{\text{OUT}} \times V_{\text{OUT}} + P_{\text{LOSS}}}$$

$$\text{where } P_{\text{LOSS}} = PD_{\text{MOSFET}} + PD_{\text{INDUCTOR}} + PD_{\text{RSENSE}} + PD_{\text{GATE}} + PD_{\text{DIODE}} + PD_{\text{TRAN}} + PD_{\text{CAP}} + PD_{\text{IC}}$$

### Design Equations:

$$(1) PD_{\text{MOSFET}} = I_{\text{OUT}}^2 \times (R_{\text{DS(ON)}} \times 1.5) \times \text{DutyCycle} \quad \text{where } 1.5 \text{ is the temperature multiplier}$$

$$\text{where } \text{DutyCycle} = \frac{V_{\text{OUT}} + V_{\text{D}}}{V_{\text{IN}} + V_{\text{D}} - V_{\text{SW}}}$$

$$(2) PD_{\text{INDUCTOR}} = I_{\text{OUT}}^2 \times R_{\text{INDUCTOR}}$$

$$(3) PD_{\text{RSENSE}} = I_{\text{OUT}}^2 \times R_{\text{SENSE}}$$

$$(4) PD_{\text{GATE}} = q_{\text{GATE}} \times f \times 5V, \quad \text{where } q_{\text{GATE}} \text{ is the gate charge and } f \text{ is the switching frequency}$$

$$(5) PD_{\text{DIODE}} = V_f \times I_{\text{OUT}} (1 - \text{DutyCycle})$$

$$(6) PD_{\text{TRAN}} = \frac{V_{\text{IN}}^2 \times C_{\text{RSS}} \times I_{\text{LOAD}} \times f}{I_{\text{DRIVE}}}, \quad \text{where } C_{\text{RSS}} \text{ is the reverse transfer capacitance of the MOSFET.}$$

$$(7) PD_{\text{CAP}} = I_{\text{RMS}}^2 \times \text{ESR}$$

$$(8) PD_{\text{IC}} = V_{\text{CC}} \times I_{\text{CC}}$$

### Example:

$$\text{DutyCycle} = \frac{3.3 + 0.5}{5 + 0.5 - 0.1} = 0.70$$

$$PD_{\text{MOSFET}} = 10^2 \times (0.010 \times 1.5) \times 0.70 = 1.05W$$

$$PD_{\text{INDUCTOR}} = 10^2 \times 0.010 = 1W$$

$$PD_{\text{RSENSE}} = 10^2 \times 0.0065 = 0.65W$$

$$PD_{\text{GATE}} = CV \times f \times 5V = 1.75\text{nf} \times (9 - 1)V \times 300\text{Khz} \times 5V = 0.021W$$

$$PD_{\text{DIODE}} = 0.5 \times 10(1 - 0.70) = 1.5W$$

$$PD_{\text{TRAN}} = \frac{5^2 \times 400\text{pf} \times 10 \times 300\text{khz}}{0.7A} \sim 0.074W$$

$$PD_{\text{CAP}} = (7.5 - 2.5)^2 \times 0.015 = 0.37W$$

$$PD_{\text{IC}} = 0.2W$$

$$PD_{\text{LOSS}} = 1.05W + 1.0W + 0.65W + 0.021W + 1.50W + 0.074W + 0.37W + 0.2W = 4.865W$$

$$\therefore \text{Efficiency} = \frac{3.3 \times 10}{3.3 \times 10 + 4.865} \sim 87\%$$

### Selecting the Inductor

The inductor is one of the most critical components to be selected in the DC-DC converter application. The critical parameters are inductance (L), maximum DC current (Io) and the coil resistance (R1). The inductor core material is a crucial factor in determining the amount of current the inductor will be able to withstand. As with all engineering designs, tradeoffs exist between various types of core materials. In general, Ferrites are popular due to their low cost, low EMI properties and high frequency (>500KHz) characteristics. Molypermalloy powder (MPP) materials exhibit good saturation characteristics, low EMI and low hysteresis losses; however, they tend to be expensive and more effectively utilized at operating frequencies below 400KHz. Another critical parameter is the DC winding resistance of the inductor. This value should typically be reduced as much as possible, as the power loss in the DC resistance will degrade the efficiency of the converter by the relationship:  $P_{LOSS} = I_O^2 \times R1$ . The value of the inductor is a function of the oscillator duty cycle (TON) and the maximum inductor current (IPK). IPK can be calculated from the relationship:

$$I_{PK} = I_{MIN} + \left( \frac{V_{IN} - V_{SW} - V_D}{L} \right) T_{ON}$$

Where TON is the maximum duty cycle and VD is the forward voltage of diode DS1.

Then the inductor value can be calculated using the relationship:

$$L = \left( \frac{V_{IN} - V_{SW} - V_D}{I_{PK} - I_{MIN}} \right) T_{ON}$$

Where VSW (RDS(ON) x IO) is the drain-to-source voltage of M1 when it is switched on.

### Implementing Short Circuit Protection

Intel currently requires all power supply manufacturers to provide continuous protection against short circuit conditions that may damage the CPU. To address this requirement, Raytheon has implemented a current sense methodology to disable the output drive signal to the MOSFET(s) when an over current condition is detected. The voltage drop created by the output current flowing across a sense resistor is presented to one terminal of an internal comparator with hysteresis. The other comparator terminal has the threshold voltage, nominally of 120mV. Table 4 states the limits for the comparator threshold of the Switching Regulator.

**Table 4. RC5041 Short Circuit Comparator Threshold Voltage**

	Short Circuit Comparator Vthreshold (mV)
Typical	120
Minimum	100
Maximum	140

When designing the external current sense circuitry, pay careful attention to the output limitations during normal operation and during a fault condition. If the short circuit protection threshold current is set too low, the DC-DC converter may not be able to continuously deliver the maximum CPU load current. If the threshold level is too high, the output driver may not be disabled at a safe limit and the resulting power dissipation within the MOSFET(s) may rise to destructive levels.

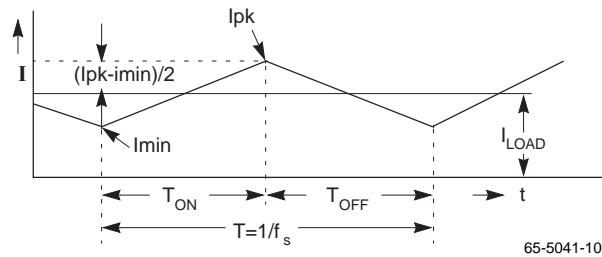
The design equation used to set the short circuit threshold limit is as follows:

$$R_{SENSE} = \frac{V_{th}}{I_{SC}}, \text{ where: } I_{SC} = \text{Output short circuit current}$$

$$I_{SC} \geq I_{inductor} = I_{Load, max} + \frac{(I_{PK} - I_{min})}{2}$$

Where Ipk and Imin are peak ripple current and Iload, max = maximum output load current.

The designer must also take into account the current (IPK -Imin), or the ripple current flowing through the inductor under normal operation. Figure 8 illustrates the inductor current waveform for the RC5041 DC-DC converter at maximum load.



**Figure 8. DC-DC Converter Inductor Current Waveform**

The calculation of this ripple current is as follows:

$$\frac{(I_{pk} - I_{min})}{2} = \frac{(V_{IN} - V_{SW} - V_{OUT})}{L} \times \frac{(V_{OUT} + V_D)}{(V_{IN} - V_{SW} + V_D)} T$$

where:

- Vin = input voltage to Converter
- VSW = voltage across Switcher (MOSFET) = ILOAD x RDS(ON)
- VD = Forward Voltage of the Schottky diode
- T = the switching period of the converter = 1/fs, where fs = switching frequency.

For an input voltage of 5V, an output voltage of 3.3V, an inductor value of 1.3µH and a switching frequency of 650KHz (using CEXT=39pF), the inductor current can be calculated as follows:

**Table 5. Comparison of Sense Resistors<sup>1</sup>**

Description	Motherboard Trace Resistor	Discrete Iron Alloy resistor (IRC)	Discrete Metal Strip surface mount resistor (Dale)	Discrete MnCu Alloy wire resistor	Discrete CuNi Alloy wire resistor (Copel)
Tolerance Factor (TF)	±29%	±5% (±1% available)	±1%	±10%	±10%
Size (L x W x H)	2" x 0.2" x 0.001" (1 oz Cu trace)	0.45" x 0.065" x 0.200"	0.25" x 0.125" x 0.025"	0.200" x 0.04" x 0.160"	0.200" x 0.04" x 0.100"
Power capability	>50A/in	1 watt (3W and 5W available)	1 watt	1 watt	1 watt
Temperature Coefficient	+4,000 ppm	+30 ppm	±75 ppm	±30 ppm	±20 ppm
Cost @10,000 piece	Low included in motherboard	\$0.31	\$0.47	\$0.09	\$0.09

**Notes:**

1. Refer to Appendix A for Directory of component suppliers.

$$\frac{(I_{pk} - I_{min})}{2} = \frac{(5.0 - 14.5 \times 0.037 - 3.3)}{1.3 \times 10^{-6}} \times \frac{(3.3 + 0.5)}{(5.0 - 14.5 \times 0.037 + 0.5)} \times \frac{1}{650 \times 10^3} = 1.048 \text{ A}$$

Therefore, the peak current,  $I_{PK}$ , through the inductor for a 14.5A load is found to be:

$$I_{SC} \geq I_{inductor} = I_{Load, max} + \frac{(I_{PK} - I_{min})}{2} = 14.5 + 1 = 15.5 \text{ A}$$

As a result, the short circuit detection threshold must be at least 15.5A

The next step is to determine the value of the sense resistor. Including sense resistor tolerance, the sense resistor value can be approximated as follows:

$$R_{SENSE} = \frac{V_{th, min}}{1 + I_{SC}} \times (1 - TF) = \frac{V_{th, min}}{1.0 + I_{Load, max} + I_R} \times (1 - TF)$$

Where TF = Tolerance Factor for the sense resistor.

$I_R$  = Ripple Current = 1A

There are several different type of sense resistors. Table 7 describes tolerance, size, power capability, temperature coefficient and cost of various type of sense resistors:

Based on the Tolerance in Table 5,

- For Embedded PC Trace Resistor and for  $I_{load, max} = 14.5 \text{ A}$ :

$$R_{SENSE} = \frac{V_{th, min}}{2.0 \text{ A} + I_{Load, max}} \times (1 - TF) = \frac{100 \text{ mV}}{2.0 \text{ A} + 14.5 \text{ A}} \times (1 - 29\%) = 4.3 \text{ m}\Omega$$

- For discrete resistor and  $I_{load, max} = 14.5 \text{ A}$ :

$$R_{SENSE} = \frac{V_{th, min}}{1.0 \text{ A} + I_{Load, max} + I_R} \times (1 - TF) = \frac{100 \text{ mV}}{2.0 \text{ A} + 14.5 \text{ A}} \times (1 - 5\%) = 5.75 \text{ m}\Omega$$

For user convenience, Table 6 lists recommended value for sense resistor for various load current using embedded PC trace resistor or discrete resistor.

**Table 6. R<sub>sense</sub> for Various Load Current**

$I_{Load, max}$ (A)	R <sub>SENSE</sub> PC Trace Resistor (mΩ)	R <sub>SENSE</sub> Discrete Resistor (mΩ)
10.00	5.9	7.9
11.20	5.4	7.2
12.40	4.9	6.6
13.90	4.5	6.0
14.00	4.4	5.9
14.50	4.3	5.7

### RC5041 Short Circuit Current Characteristics

The RC5041 has a short circuit current characteristic that includes a hysteresis function that prevents the DC-DC converter from oscillating in the event of a short circuit. A typical V-I characteristic of the DC-DC converter output is presented in the Operating Conditions table. The converter performs with a normal load regulation characteristic until the voltage across the resistor reaches the internal short circuit threshold of 120mV. At this point, the internal comparator trips and sends a signal to the controller to turn off the gate drive to the power MOSFET. This causes a drastic reduction in the output voltage as the load regulation collapses into the short circuit mode of control. The output voltage will not return to the normal load characteristic until the output short circuit current is reduced to within the safe range for the DC-DC converter.

### Schottky Diode Selection

The application circuit of Figure 1 shows a Schottky diode, DS1. DS1 is used as a flyback diode to provide a constant current path for the inductor when M1 is turned off. A vital selection criteria for DS1 is that it exhibits a very low forward voltage drop, as this parameter will directly impact the regulator efficiency as the output voltage is reduced. Table 7 presents several suitable Schottky diodes for this application. Note that the diode MBR2015CTL has a very low forward voltage drop. This diode is most ideal for applications where output voltages below 2.8V are required.

**Table 7. Schottky Diode Selection Table**

Manufacturer Model #	Conditions	Forward Voltage V <sub>F</sub>
Philips PBYR1035	I <sub>F</sub> = 20A; T <sub>j</sub> = 25°C I <sub>F</sub> = 20A; T <sub>j</sub> = 125°C	< 0.84V < 0.72V
Motorola MBR2035CT	I <sub>F</sub> = 20A; T <sub>j</sub> = 25°C I <sub>F</sub> = 20A; T <sub>j</sub> = 125°C	< 0.84V < 0.72V
Motorola MBR1545CT	I <sub>F</sub> = 15A; T <sub>j</sub> = 25°C I <sub>F</sub> = 15A; T <sub>j</sub> = 125°C	< 0.84V < 0.72V
Motorola MBR2015CTL	I <sub>F</sub> = 20A; T <sub>j</sub> = 25°C I <sub>F</sub> = 20A; T <sub>j</sub> = 150°C	< 0.58V < 0.48V

### Output Filter Capacitors

Optimal ripple performance and transient response are functions of the filter capacitors used. Since the 5V supply of a PC motherboard may be located several inches away from the DC-DC converter, input capacitance can play an important role in the load transient response of the RC5041. The higher the input capacitance, the more charge storage is available for improving the current transfer through the FET. Low “ESR” capacitors are best suited for this type of application and can influence the converter's efficiency if not chosen carefully. The input capacitor should be placed as close to the drain of the FET as possible to reduce the effect of ringing caused by long trace lengths.

The ESR rating of a capacitor is a difficult number to quantify. ESR or Equivalent Series Resistance, is defined as the resonant impedance of the capacitor. Since the capacitor is actually a complex impedance device having resistance, inductance and capacitance, it is quite natural for this device to have a resonant frequency. As a rule, the lower the ESR, the better suited the capacitor is for use in switching power supply applications. Many capacitor manufacturers do not supply ESR data. A useful estimate of the ESR can be obtained using the following equation:

$$ESR = \frac{DF}{2\pi fC}$$

Where DF is the dissipation factor of the capacitor, f is the operating frequency, and C is the capacitance in farads.

With this in mind, correct calculation of the output capacitance is crucial to the performance of the DC-DC converter. The output capacitor determines the overall loop stability, output voltage ripple and load transient response. The calculation is as follows:

$$C(\mu F) = \frac{I_O \times \Delta T}{\Delta V - I_O \times ESR}$$

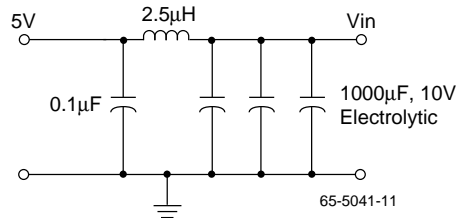
Where ΔV is the maximum voltage deviation due load transient, ΔT is reaction time of the power source (Loop response time of the RC5041) and it is approximately 8μs), and I<sub>O</sub> is the output load current.

For I<sub>O</sub> = 10A, and ΔV = 75mV, the bulk capacitor required can be approximated as follows:

$$C(\mu F) = \frac{I_O \times \Delta T}{\Delta V - I_O \times ESR} = \frac{10A \times 8\mu s}{75mV - 10A \times 5m\Omega} = 3200\mu F$$

### Input filter

We recommend that the design include an input inductor between the system +5V supply and the DC-DC converter input described below. This inductor will serve to isolate the +5V supply from noise occurring in the switching portion of the DC-DC converter and to also limit the inrush current into the input capacitors on power up. We recommend a value of around 2.5μH.



**Figure 9. Input Filter**

## PCB Layout Guidelines and Considerations

### PCB Layout Guidelines

- Placement of the MOSFETs relative to the RC5041 is critical. The MOSFETs (M1 & M2), should be placed such that the trace length of the HIDRV pin from the RC5041 to the FET gates is minimized. A long lead length on this pin will cause high amounts of ringing due to the inductance of the trace combined with the large gate capacitance of the FET. This noise will radiate all over the board, and because it is switching at such a high voltage and frequency, it will be very difficult to suppress.

The drawing below depicts an example of good placement for the MOSFETs in relation to the RC5041 and also an example of problematic placement for the MOSFETs.

In general, all of the noisy switching lines should be kept away from the quiet analog section of the RC5041. That is to say, traces that connect to pins 8 and 9 (HIDRV and VCCQP) should be kept far away from the traces that connect to pins 1 through 4, and pin 12.

- Place decoupling capacitors (.1 $\mu$ F) as close to the RC5041 pins as possible. Extra lead length on these will negate their ability to suppress noise.
- Each VCC and GND pin should have its own via down to the appropriate plane underneath. This will help give isolation between pins.

- Surround the CEXT timing capacitor with a ground trace as much as possible. Also be sure to keep a ground or power plane underneath the capacitor for further noise isolation. This will help to shield the oscillator pin 1 from the noise on the PCB. Place this capacitor as close to the RC5041 pin 1 as possible.
- Place MOSFETs, inductor and Schottky as close together as possible for the same reasons as #1 above. Place the input bulk capacitors as close to the drains of MOSFETs as possible. In addition, placement of a 0.1 $\mu$ F decoupling cap right on the drain of each MOSFET will help to suppress some of the high frequency switching noise on the input of the DC-DC converter.
- The traces that run from the RC5041 IFB (pin 3) and VFB (pin 4) pins should be run together next to each other and be Kelvin connected to the sense resistor. Running these lines together will help in rejecting some of the common noise that is presented to the RC5041 feedback input. Try as much as possible to run the noisy switching signals (HIDRV & VCCQP) on one layer; and use the inner layers for only power and ground. If the top layer is being used to route all of the noisy switching signals, use the bottom layer to route the analog sensing signals VFB and IFB.

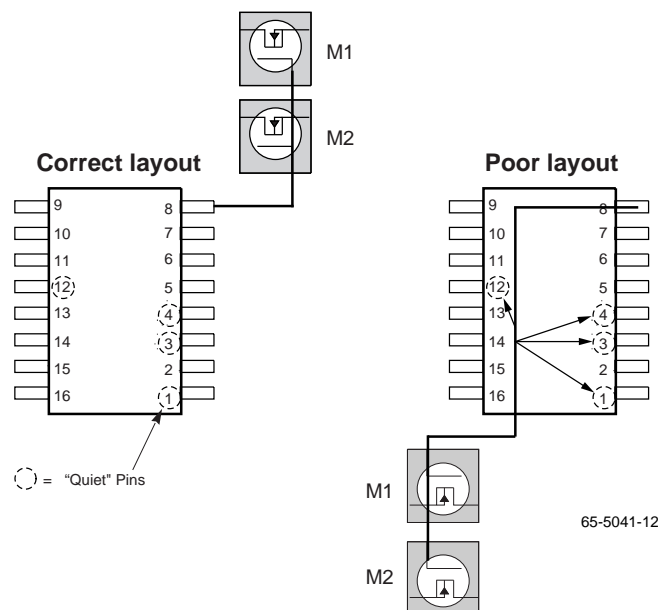


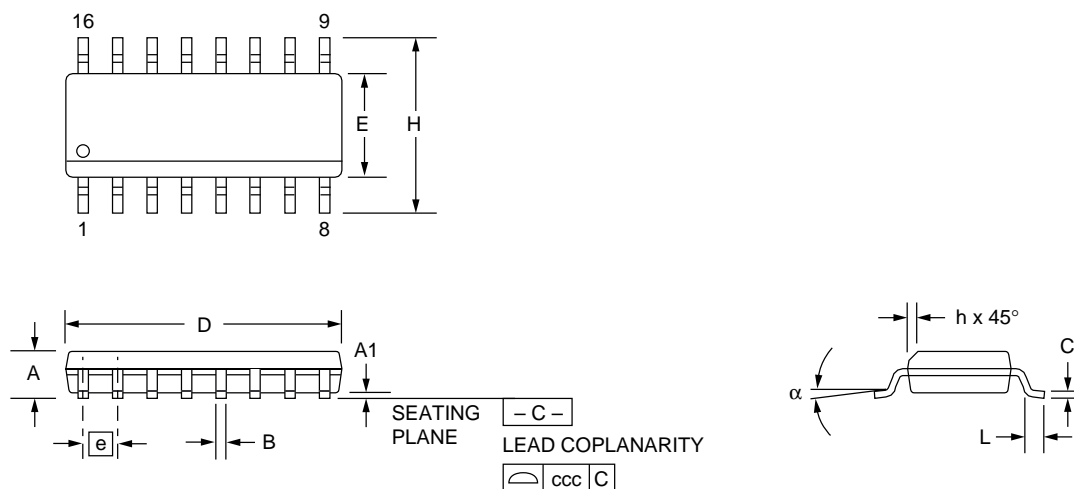
Figure 10. MOSFET Layout Guidelines

## Mechanical Dimensions – 16 Lead SOIC

Symbol	Inches		Millimeters		Notes
	Min.	Max.	Min.	Max.	
A	.053	.069	1.35	1.75	
A1	.004	.010	0.10	0.25	
B	.013	.020	0.33	0.51	
C	.008	.010	0.19	0.25	5
D	.386	.394	9.80	10.00	2
E	.150	.158	3.81	4.00	2
e	.050 BSC		1.27 BSC		
H	.228	.244	5.80	6.20	
h	.010	.020	0.25	0.50	
L	.016	.050	0.40	1.27	3
N	16		16		6
$\alpha$	0°	8°	0°	8°	
ccc	—	.004	—	0.10	

**Notes:**

1. Dimensioning and tolerancing per ANSI Y14.5M-1982.
2. "D" and "E" do not include mold flash. Mold flash or protrusions shall not exceed .010 inch (0.25mm).
3. "L" is the length of terminal for soldering to a substrate.
4. Terminal numbers are shown for reference only.
5. "C" dimension does not include solder finish thickness.
6. Symbol "N" is the maximum number of terminals.



**Preliminary Information**



## Ordering Information

Product Number	Package
RC5041M	16 pin SOIC

The information contained in this data sheet has been carefully compiled; however, it shall not by implication or otherwise become part of the terms and conditions of any subsequent sale. Raytheon's liability shall be determined solely by its standard terms and conditions of sale. No representation as to application or use or that the circuits are either licensed or free from patent infringement is intended or implied. Raytheon reserves the right to change the circuitry and any other data at any time without notice and assumes no liability for errors.

### LIFE SUPPORT POLICY:

Raytheon's products are not designed for use in life support applications, wherein a failure or malfunction of the component can reasonably be expected to result in personal injury. The user of Raytheon components in life support applications assumes all risk of such use and indemnifies Raytheon Company against all damages.

Raytheon Electronics  
Semiconductor Division  
350 Ellis Street  
Mountain View, CA 94043  
650.968.9211  
FAX 650.966.7742