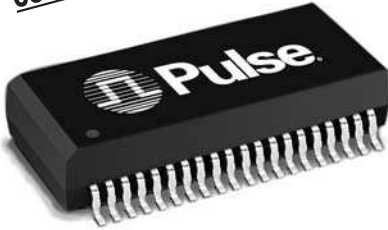




10/100BASE-T QUAD PORT SURFACE MOUNT MAGNETICS



-  Meets IEEE 802.3 specification
-  IC grade transfer-molded package withstands 245°C peak temperature profile

Electrical Specifications @ 25°C — Operating Temperature 0°C to 70°C

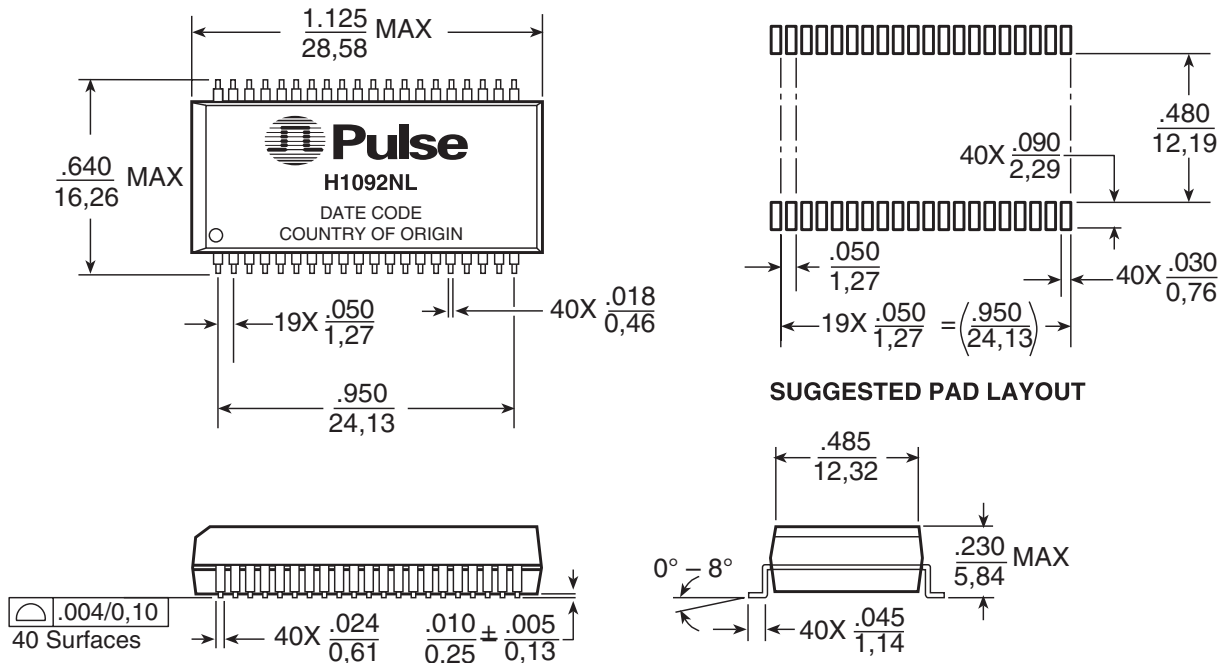
Part Number	Transmit Turns Ratio	Return Loss (dB TYP)				Crosstalk (dB TYP)				Common to Common Rejection Ratio 0.1-60 MHz (dB MIN)		Differential to Common Mode Rejection (dB MIN)	
		2-30 MHz	40 MHz	50 MHz	60-80 MHz	1 MHz	30 MHz	60 MHz	100 MHz	Transmit	Receive	0.1-60 MHz	60-200 MHz
H1092NL ^{2d}	$\sqrt{2}:1$	-18	-16	-14	-12	-60	-50	-40	-35	-35	-35	-40	-30

NOTE: All models meet breakdown (Hipot) of 1500 Vrms. Insertion Loss at 0.1-100 MHz is typically 0.5 dB.

1. For Tape & Reel packaging, add suffix "T" to the end of the part number when ordering, e.g. H10 92NLT.
2. MSL = Moisture Sensitivity: Level a = 1, b = 2, c = 3, d = 4, e = 5.

Mechanical

H1092NL



Dimensions: $\frac{\text{Inches}}{\text{mm}}$

Unless otherwise specified, all tolerances are $\pm \frac{.010}{0,25}$

USA 858 674 8100 • Germany 49 7032 7806 0 • Singapore 65 6287 8998 • Shanghai 86 21 32181071 • China 86 755 33966678 • Taiwan 886 3 4641811

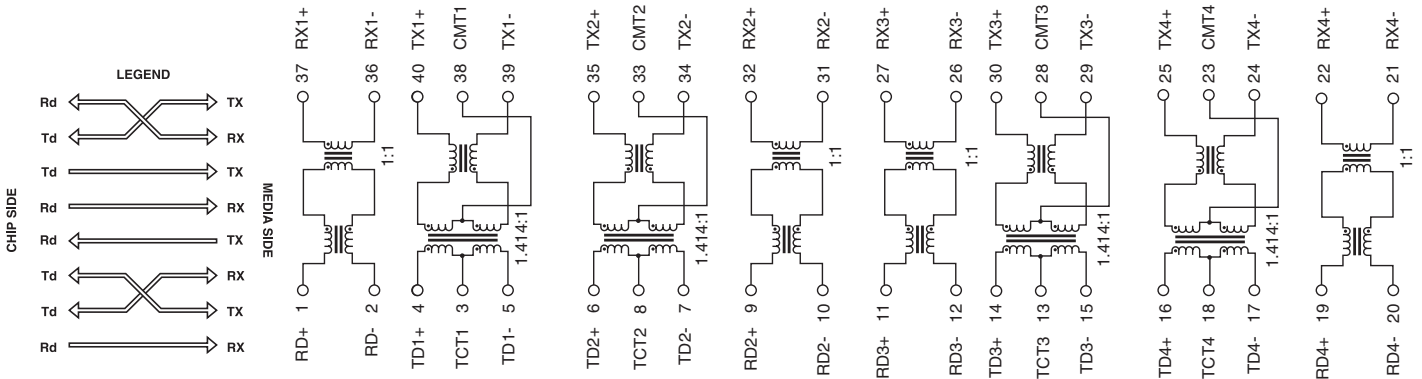
www.pulseeng.com

10/100BASE-T QUAD PORT SURFACE MOUNT MAGNETICS

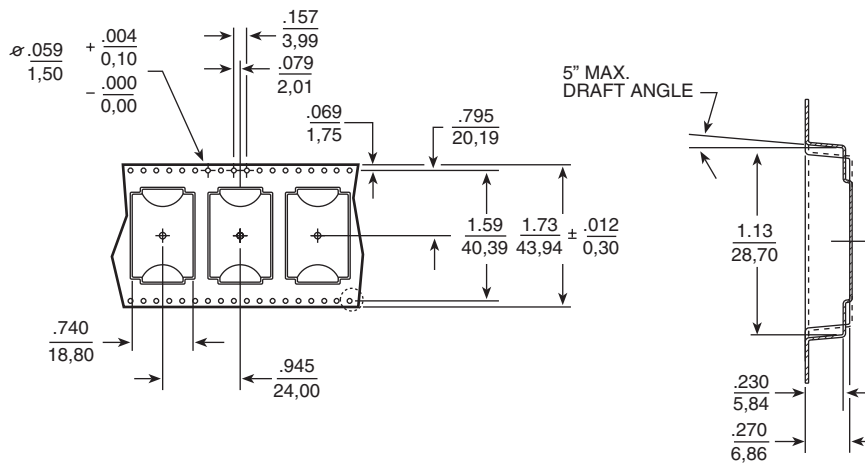


Schematic

H1092NL



Tape and Reel Specifications



For More Information:

Pulse Worldwide Headquarters
12220 World Trade Dr.
San Diego, CA 92128
U.S.A.

Pulse Europe
Einsteinstrasse 1
D-71083 Herrenberg
Germany

Pulse China Headquarters
B402, Shenzhen
Tech-Innovation International
Tenth Kejinan Rd.
High-Tech Industrial Park
Nanshan District, Shenzhen
China

Pulse North China
Room 1503
XinYin Building
No. 888 YiShan Rd.
Shanghai 200233
China

Pulse South Asia
150 Kampong Ampat
#07-01/02
KA Centre
Singapore 368324

Pulse North Asia
No. 26, Kao Ching Rd.
Yang Mei Chen
Taoyuan Hsien
Taiwan
R. O. C.

www.pulseeng.com

Tel: 858 674 8100
Fax: 858 674 8262

Tel: 49 7032 7806 0
Fax: 49 7032 7806 135

Tel: 86 755 33966678
Fax: 86 755 33966700

Tel: 86 21 54643211/2
Fax: 86 21 54643210

Tel: 65 6287 8998
Fax: 65 6280 0080

Tel: 886 3 4641811
Fax: 886 3 4641911

Performance warranty of products offered on this data sheet is limited to the parameters specified. Data is subject to change without notice. Other brand and product names mentioned herein may be trademarks or registered trademarks of their respective owners.
© Copyright, 2007. Pulse Engineering, Inc. All rights reserved.

www.pulseeng.com