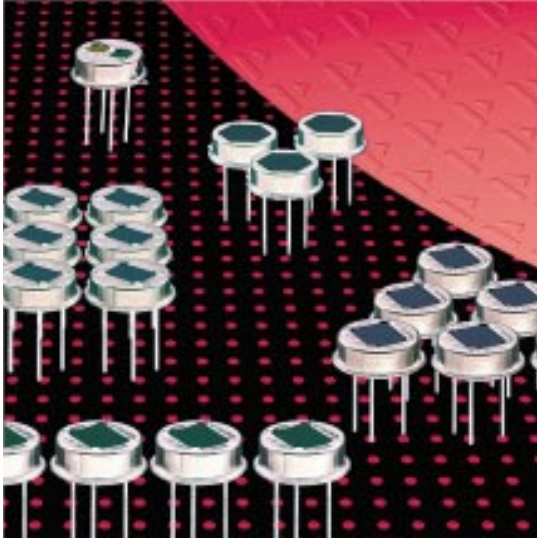


Dual Element Detector LHi 778



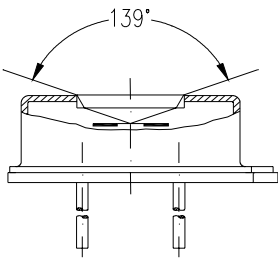
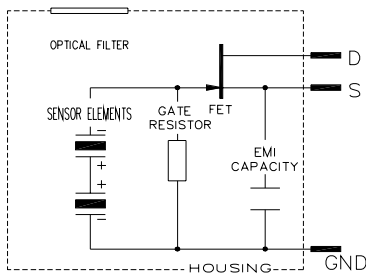
TO-5 housing

Competitive cost version

Designed for motion control

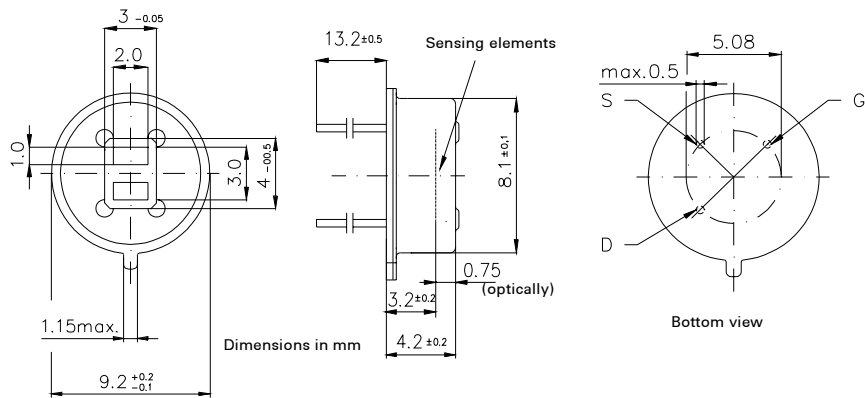
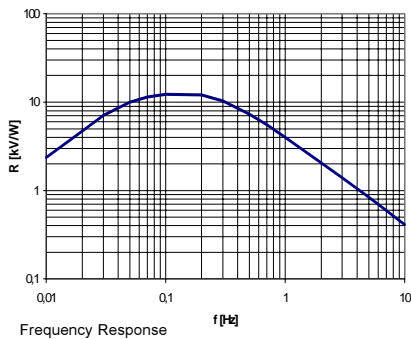
The **LHi 778** pyroelectric infrared-detector series are the standard dual element design recommended for all variants of motion control. They include a dual element pyro-electric ceramic element with Fet in source follower connection.

LHi 778 detector is available in **TO-5** housing with standard infrared filter. It provides high responsivity with excellent common mode performance (match) and low noise at steady state and temperature changes.



Parameters	LHi 778				
	min	typical	max	units	condition
Element size		2x1		mm ²	2 elements
Responsivity	3 300	4000		V/W	100°C, 1 Hz
Match		1	10	%	
Noise		20	50	µVpp	25°C, 0,3...10Hz
Offset Voltage	0,2		1,55	V	R _s =47kΩ, 25°C
NEP		7,5x10 ⁻¹⁰	28x10 ⁻¹⁰	W √Hz	1Hz Bw, 100°C, 1 Hz
D*	5x10 ⁻⁷	19x10 ⁻⁷		cm √Hz/W	1Hz Bw, 100°C, 1 Hz
Output Impedance		5	10	kΩ	47kΩ Load Res.
Operating Voltage	2		15	V	R _s =47kΩ, 25°C
Operating Temperature	-40		85	°C	non permanent
Storage Temperature	-40		85	°C	non permanent

Right for modification reserved / WS I, 27.4.2001



Europe:
PerkinElmer Optoelectronics GmbH
 Wenzel Jaksch Str 31
 Wiesbaden / Germany
 Phone +49(0)611 492 0
 Fax +49(0)611 492 170

USA:
PerkinElmer Optoelectronics
 2175 Mission College Blvd
 Santa Clara, CA 95054
 Phone +408 565 0830
 Fax +408 565 0703

ASIA:
PerkinElmer Optoelectronics
 47, Ayer Rajah Crescent #06-12
 Singapore 139947
 Phone +65 775 2022
 Fax +65 775 1008

