

GaAs MMIC MEDIUM POWER AMPLIFIER, 17 - 40 GHz

Typical Applications

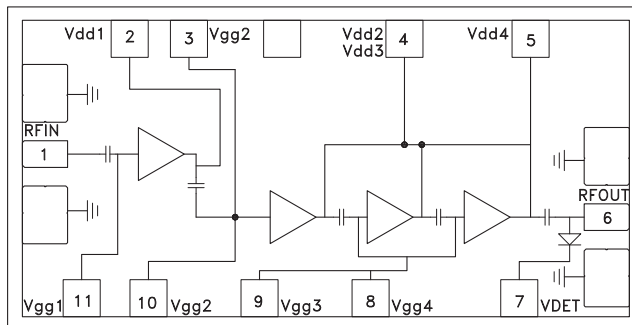
The HMC283 is ideal for:

- Millimeterwave Point-to-Point Radios
- VSAT
- SATCOM

Features

- High Gain: 21 dB
- Psat Output Power: +21 dBm
- Wideband Performance: 17 - 40 GHz
- Small Chip Size: 1.72 x 0.88 x 0.1 mm

Functional Diagram



General Description

The HMC283 chip is a four stage GaAs MMIC Medium Power Amplifier (MPA) which covers the frequency range of 17 to 40 GHz. The chip can easily be integrated into Multi-Chip Modules (MCMs) due to its small size. The chip utilizes a GaAs PHEMT process offering 21 dB gain and +21 dBm output power from a bias supply of +3.5V @ 300 mA. The HMC283 may be used as a frequency doubler. A B.I.T. (Built-In-Test) pad (Vdet) allows monitoring microwave output power. All data is with the chip in a 50 ohm test fixture connected via 0.076 x 0.0127mm (3mil x 0.5mil) ribbon bonds of minimal length 0.31mm (<12mils).

Electrical Specifications, $T_A = +25^\circ \text{C}$, $V_{dd} = +3.5\text{V}^*$, $I_{dd} = 300 \text{mA}$

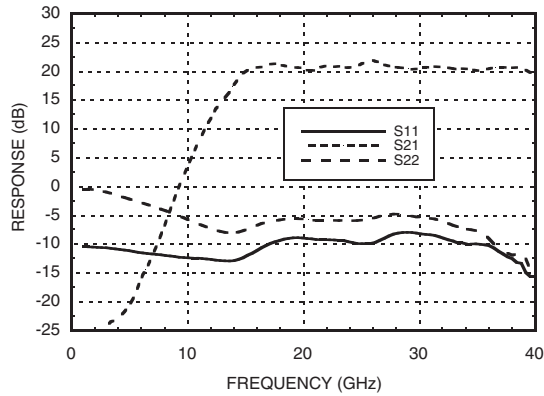
Parameter	Min.	Typ.	Max.	Units
Frequency Range	17 - 40			GHz
Gain	16	21		dB
Gain Flatness (Any 1 GHz BW)		± 0.8		dB
Input Return Loss		9		dB
Output Return Loss		6		dB
Reverse Isolation	40	50		dB
Output Power for 1 dB Compression (P1dB)	14	18		dBm
Saturated Output Power (Psat)	17	21		dBm
Output Third Order Intercept (IP3)	21	26		dBm
Noise Figure		10	14	dB
Supply Current (Idd)(Vdd = +3.5V, Vgg = -0.15V Typ.)		300	400	mA

*Vdd = Vdd1, 2, 3, 4 connected to +3.5V, adjusting Vgg = Vgg1, 2, 3, 4 between -2.0 to +0.4V to achieve Idd = 300 mA typical.

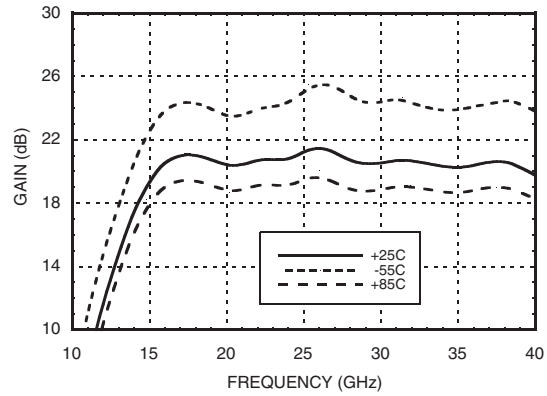
For price, delivery, and to place orders, please contact Hittite Microwave Corporation:
20 Alpha Road, Chelmsford, MA 01824 Phone: 978-250-3343 Fax: 978-250-3373
Order On-line at www.hittite.com

**GaAs MMIC MEDIUM POWER
AMPLIFIER, 17 - 40 GHz**

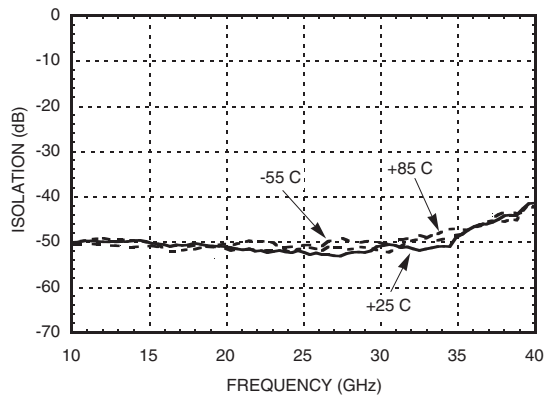
Broadband Gain & Return Loss



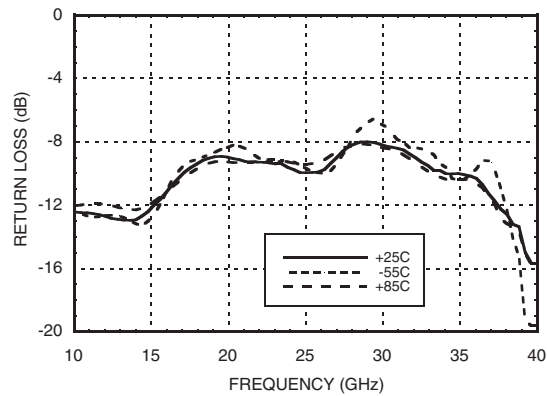
Gain vs. Temperature



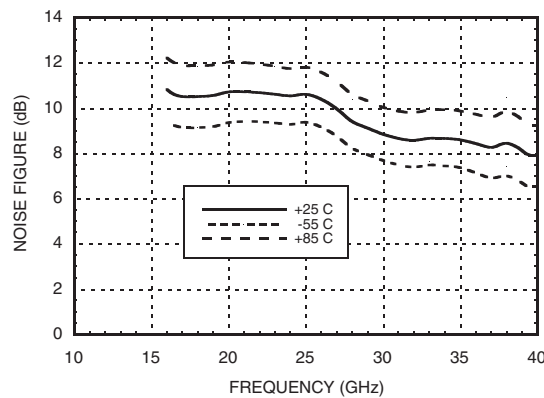
Reverse Isolation vs. Temperature



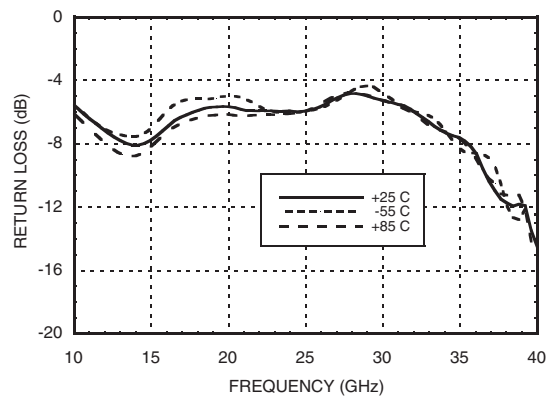
Input Return Loss vs. Temperature



Noise Figure vs. Temperature



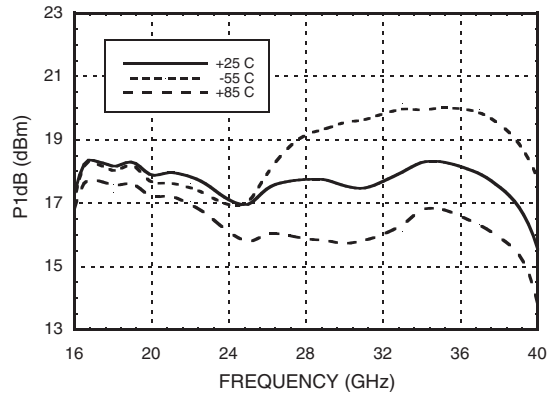
Output Return Loss vs. Temperature



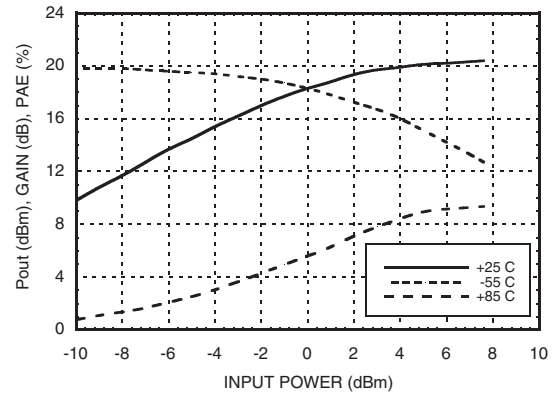
For price, delivery, and to place orders, please contact Hittite Microwave Corporation:
20 Alpha Road, Chelmsford, MA 01824 Phone: 978-250-3343 Fax: 978-250-3373
Order On-line at www.hittite.com

**GaAs MMIC MEDIUM POWER
AMPLIFIER, 17 - 40 GHz**

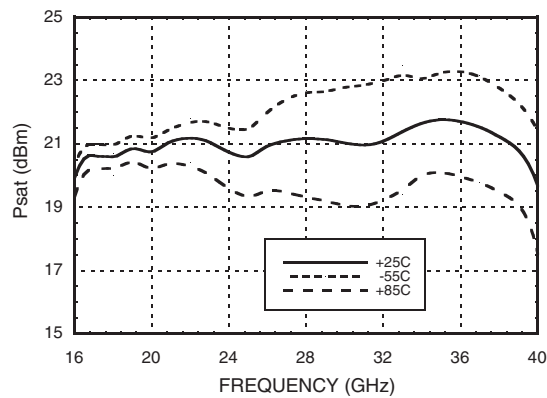
Output P1dB vs. Temperature



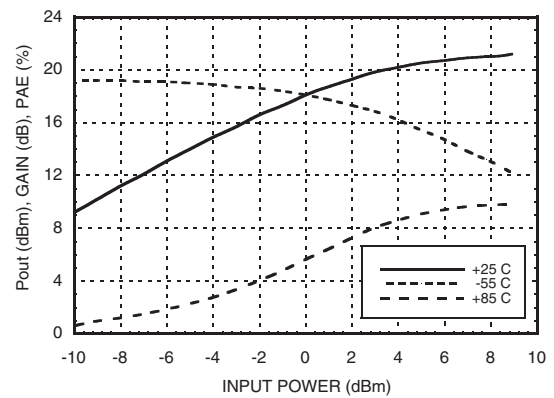
Power Compression @ 20 GHz



Output Psat vs. Temperature



Power Compression @ 28 GHz

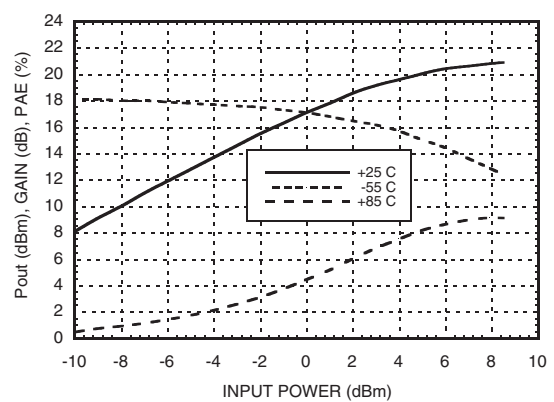


Output IP3 vs. Temperature

	Frequency (GHz)		
Temperature	20	28	38
-55 °C	25.6	25.4	28.6
+25 °C	27.5	25.9	27.1
+85 °C	27	24.4	25.7

All levels in dBm

Power Compression @ 39 GHz



For price, delivery, and to place orders, please contact Hittite Microwave Corporation:
20 Alpha Road, Chelmsford, MA 01824 Phone: 978-250-3343 Fax: 978-250-3373
Order On-line at www.hittite.com

**GaAs MMIC MEDIUM POWER
AMPLIFIER, 17 - 40 GHz**

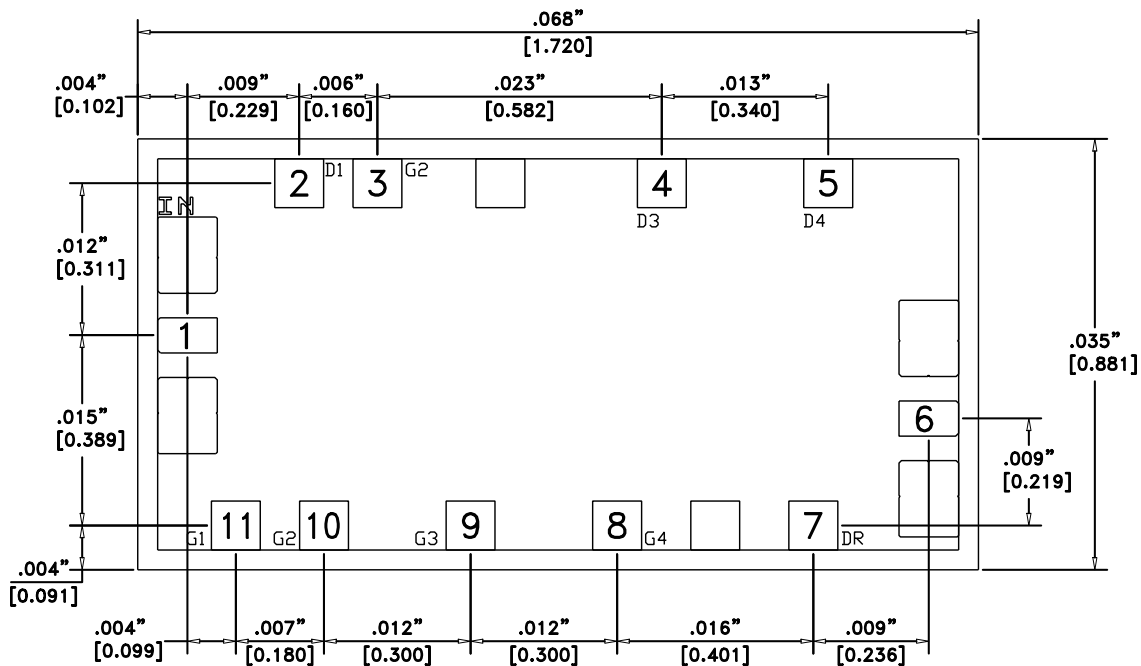
Absolute Maximum Ratings

Drain Bias Voltage (Vdd1, Vdd2, Vdd3, Vdd4)	+5Vdc
Drain Bias Current (Idd)	400 mA
Gate Bias Voltage (Vgg1, Vgg2, Vgg3, Vgg4)	-2 to +0.4Vdc
Gate Bias Current (Igg)	4 mA
RF Input Power (RFIN)(Vdd = +3.5 Vdc)	+8 dBm
Channel Temperature	175 °C
Continuous Pdiss (T = 85 °C) (derate 13.04 mW/°C above 85 °C)	1.174 W
Thermal Resistance (channel to die bottom)	76.7 °C/W
Storage Temperature	-65 to +150 °C
Operating Temperature	-55 to +85 °C



**ELECTROSTATIC SENSITIVE DEVICE
OBSERVE HANDLING PRECAUTIONS**

Outline Drawing



Die Packaging Information [1]

Standard	Alternate
GP-2	[2]

[1] Refer to the "Packaging Information" section for die packaging dimensions.

[2] For alternate packaging information contact Hittite Microwave Corporation.

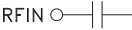
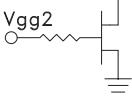
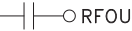
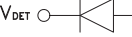
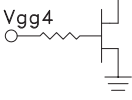
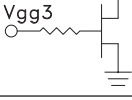
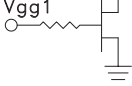
NOTES:

1. ALL DIMENSIONS ARE IN INCHES [MM]
2. DIE THICKNESS IS .004"
3. TYPICAL BOND IS .004" SQUARE
4. BACKSIDE METALLIZATION: GOLD
5. BOND PAD METALLIZATION: GOLD
6. BACKSIDE METAL IS GROUND.
7. CONNECTION NOT REQUIRED FOR UNLABELED BOND PADS.

For price, delivery, and to place orders, please contact Hittite Microwave Corporation:
20 Alpha Road, Chelmsford, MA 01824 Phone: 978-250-3343 Fax: 978-250-3373
Order On-line at www.hittite.com

GaAs MMIC MEDIUM POWER AMPLIFIER, 17 - 40 GHz

Pin Descriptions

Pin Number	Function	Pin Description	Interface Schematic
1	RFIN	This pad is AC coupled and matched to 50 Ohms.	RFIN 
2	Vdd1	Power Supply Voltage for the amplifier. External bypass caps of 100pF and 0.1 μF are required.	
3, 10	Vgg2	Gate Control for amplifier. Adjust Vgg (= Vgg1, Vgg2, Vgg3, Vgg4) to acheive Idd = 300mA. External bypass caps of 100pF and 0.1 μF are required.	Vgg2 
4, 5	Vdd2, 3, 4	Power Supply Voltage for the amplifier. External bypass caps of 100pF and 0.1 μF are required.	
6	RFOUT	This pad is AC coupled and matched to 50 Ohms.	 RFOUT
7	V _{DET}	Output power verification pad.	V _{DET} 
8	Vgg4	Gate Control for amplifier. Adjust Vgg (= Vgg1, Vgg2, Vgg3, Vgg4) to acheive Idd = 300mA. External bypass caps of 100pF and 0.1 μF are required.	Vgg4 
9	Vgg3	Gate Control for amplifier. Adjust Vgg (= Vgg1, Vgg2, Vgg3, Vgg4) to acheive Idd = 300mA. External bypass caps of 100pF and 0.1 μF are required.	Vgg3 
11	Vgg1	Gate Control for amplifier. Adjust Vgg (= Vgg1, Vgg2, Vgg3, Vgg4) to acheive Idd = 300mA. External bypass caps of 100pF and 0.1 μF are required.	Vgg1 

For price, delivery, and to place orders, please contact Hittite Microwave Corporation:
 20 Alpha Road, Chelmsford, MA 01824 Phone: 978-250-3343 Fax: 978-250-3373
 Order On-line at www.hittite.com

**GaAs MMIC MEDIUM POWER
AMPLIFIER, 17 - 40 GHz**

Mounting & Bonding Techniques for Millimeterwave GaAs MMICs

The die should be attached directly to the ground plane eutectically or with conductive epoxy (see *HMC general Handling, Mounting, Bonding Note*).

50 Ohm Microstrip transmission lines on 0.127mm (5 mil) thick alumina thin film substrates are recommended for bringing RF to and from the chip (Figure 1). If 0.254mm (10 mil) thick alumina thin film substrates must be used, the die should be raised 0.150mm (6 mils) so that the surface of the die is coplanar with the surface of the substrate. One way to accomplish this is to attach the 0.102mm (4 mil) thick die to a 0.150mm (6 mil) thick molybdenum heat spreader (moly-tab) which is then attached to the ground plane (Figure 2).

Microstrip substrates should be brought as close to the die as possible in order to minimize bond wire length. Typical die-to-substrate spacing is 0.076mm to 0.152 mm (3 to 6 mils).

RF bypass capacitors should be used on the Vdd & Vgg inputs. 100pF single layer capacitors (mounted eutectically or by conductive epoxy) placed no further than 0.762 mm (30 mils) from the chip are recommended. The photo in figure 3 shows a typical assembly for the HMC283 MMIC chip.

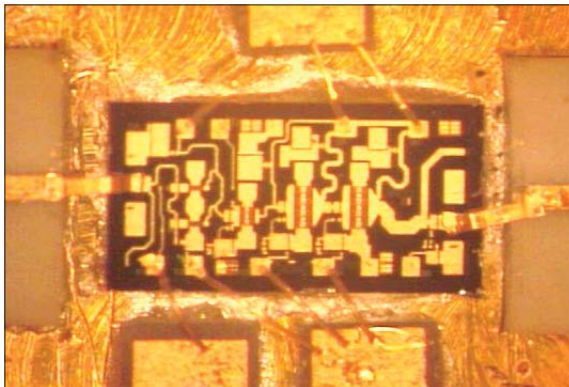
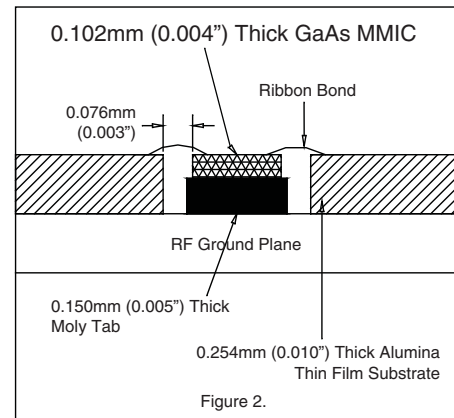
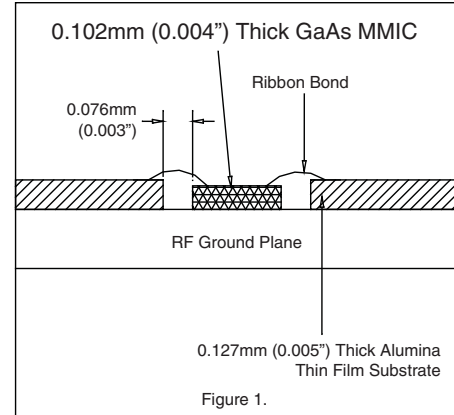


Figure 3: Typical HMC283 Assembly

Handling Precautions

Follow these precautions to avoid permanent damage.

Storage: All bare die are placed in either Waffle or Gel based ESD protective containers, and then sealed in an ESD protective bag for shipment. Once the sealed ESD protective bag has been opened, all die should be stored in a dry nitrogen environment.

Cleanliness: Handle the chips in a clean environment. DO NOT attempt to clean the chip using liquid cleaning systems.

Static Sensitivity: Follow ESD precautions to protect against ESD strikes.

Transients: Suppress instrument and bias supply transients while bias is applied. Use shielded signal and bias cables to minimize inductive pick-up.

General Handling: Handle the chip along the edges with a vacuum collet or with a sharp pair of bent tweezers. The surface of the chip has fragile air bridges and should not be touched with vacuum collet, tweezers, or fingers.

For price, delivery, and to place orders, please contact Hittite Microwave Corporation:
20 Alpha Road, Chelmsford, MA 01824 Phone: 978-250-3343 Fax: 978-250-3373
Order On-line at www.hittite.com

GaAs MMIC MEDIUM POWER AMPLIFIER, 17 - 40 GHz

Mounting

The chip is back-metallized and can be die mounted with AuSn eutectic preforms or with electrically conductive epoxy. The mounting surface should be clean and flat.

Eutectic Die Attach: A 80/20 gold tin preform is recommended with a work surface temperature of 255 °C and a tool temperature of 265 °C. When hot 90/10 nitrogen/hydrogen gas is applied, tool tip temperature should be 290 °C. DO NOT expose the chip to a temperature greater than 320 °C for more than 20 seconds. No more than 3 seconds of scrubbing should be required for attachment.

Epoxy Die Attach: Apply a minimum amount of epoxy to the mounting surface so that a thin epoxy fillet is observed around the perimeter of the chip once it is placed into position. Cure epoxy per the manufacturer's schedule.

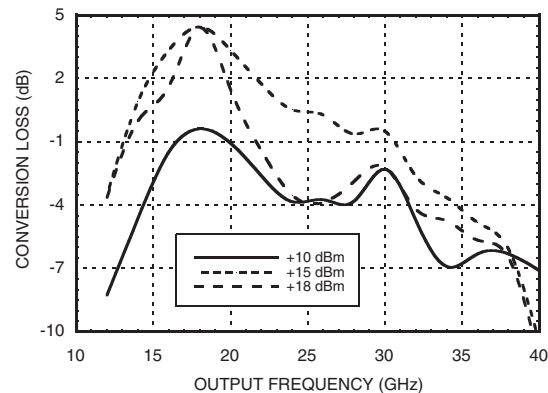
Wire Bonding

Ball or wedge bond with 0.025mm (1 mil) diameter pure gold wire (DC Bias) or ribbon bond (RF ports) 0.076mm x 0.013mm (3 mil x 0.5 mil) size is recommended. Thermosonic wirebonding with a nominal stage temperature of 150 °C and a ball bonding force of 40 to 50 grams or wedge bonding force of 18 to 22 grams is recommended. Use the minimum level of ultrasonic energy to achieve reliable wirebonds. Wirebonds should be started on the chip and terminated on the package or substrate. All bonds should be as short as possible <0.31mm (12 mils).

HMC283 Alternate Applications:

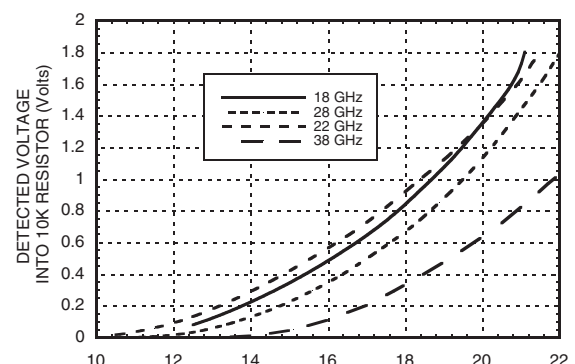
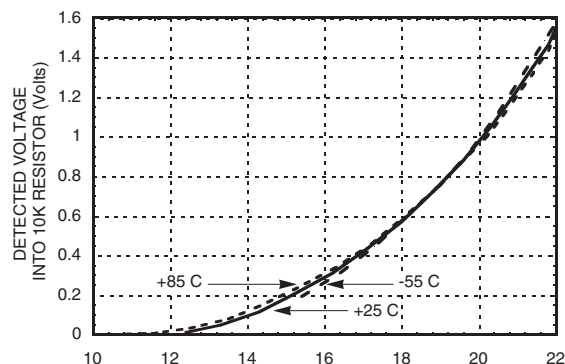
HMC283 Frequency Multiplier Performance

HMC283 can also perform as a frequency multiplier. This is accomplished by biasing Vgg1 into its pinchoff region – typically -1V to -2V. By adjusting the Vg1 bias, the device will operate as a doubler or tripler. Vgg2 may also be adjusted to minimize the levels of unwanted harmonics. The plot shows the performance of HMC283 operated as a doubler with Vgg1 = -1V and the remaining gate voltages (Vgg2, 3, 4) set to -0.15V. In this condition the amplifier draws 310mA at 3.5V drain bias (Vdd) and provides +5dB to -5dB conversion loss dependent upon the output frequency.



HMC283 Voltage Detector, Built-In-Test (B.I.T.)

By connecting the Vdet port to a 10K Ohm resistor and monitoring the voltage, a B.I.T. circuit can be created to monitor changes in the device output power. This circuit is extremely well compensated for temperature variations as shown in the first plot. The detected voltage does change with frequency and the second plot shows its variation.



For price, delivery, and to place orders, please contact Hittite Microwave Corporation:
 20 Alpha Road, Chelmsford, MA 01824 Phone: 978-250-3343 Fax: 978-250-3373
 Order On-line at www.hittite.com

**GaAs MMIC MEDIUM POWER
AMPLIFIER, 17 - 40 GHz**

Notes: