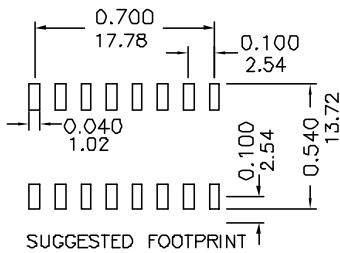
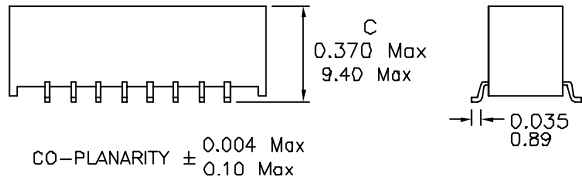
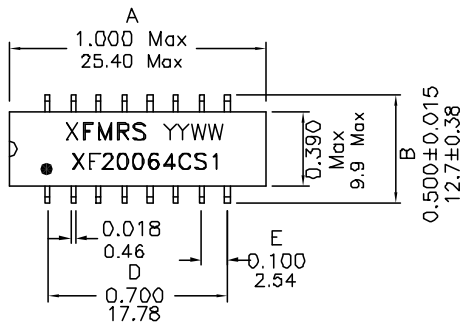


1. Dimensions:

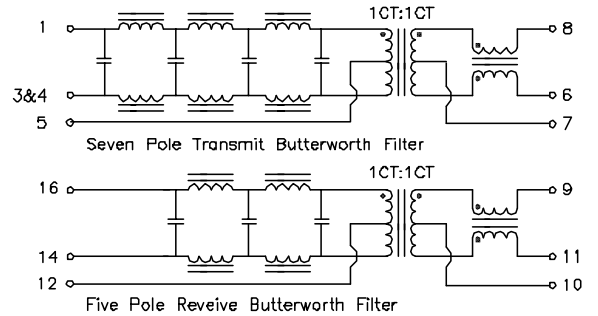


Notes:

1. Solderability: Leads shall meet MIL-STD-202G, Method 208H for solderability.
2. Flammability: UL94V-0
3. ASTM oxygen index: > 28%
4. Insulation System: Class F 155°C. UL file E151556
5. Operating Temperature Range: All listed parameters are to be within tolerance from -40°C to +85°C
6. Storage Temperature Range: -55°C to +125°C
7. Aqueous wash compatible
8. SMD Lead Coplanarity: ±0.004*(0.102mm)
9. Electrical and mechanical specifications 100% tested
10. RoHS 5/6 Compliant, 63/37 leaded solder.
11. Recommended IR Reflow temp 225C Max.

DOC. REV: B/6

2. Schematic:



3. Electrical Specifications: @25°C

- Isolation Voltage: 1500 Vrms (Input to Output)
- Insertion Loss (1-10MHz): 1dB Maximum
- Return Loss (1-10MHz): 15dB Minimum
- Crosstalk (1-10MHz): 30dB Minimum
- Attenuation @30MHz:
 - Transmit: 27dB Minimum
 - Receive: 18dB Minimum
- Cut-Off Frequency: 17MHz Typical
- I/O Impedance: 100 Ohms

XFMS Inc.	Title: 10 BASE-T FILTER		
	UNLESS OTHERWISE SPECIFIED TOLERANCES:		REV. B
.xxx ±0.010 Inch	P/N: XF20064CS1	DWN.	Xian Yi Feb-11-09
Dimensions in Inch/mm	CHK.	YK Liao	Feb-11-09
SHT 1 OF 1	APP.	Joe Huff	Feb-11-09

PROPRIETARY Document is the property of XFMS Group & is not allowed to be duplicated without authorization.