



***SiS Dual DDR333 Pentium 4 Chipset
SiS655/963***

Silicon Integrated Systems Corp.
Integrated Product Division
Dec, 2002

 Silicon Integrated Systems Corp.



Agenda

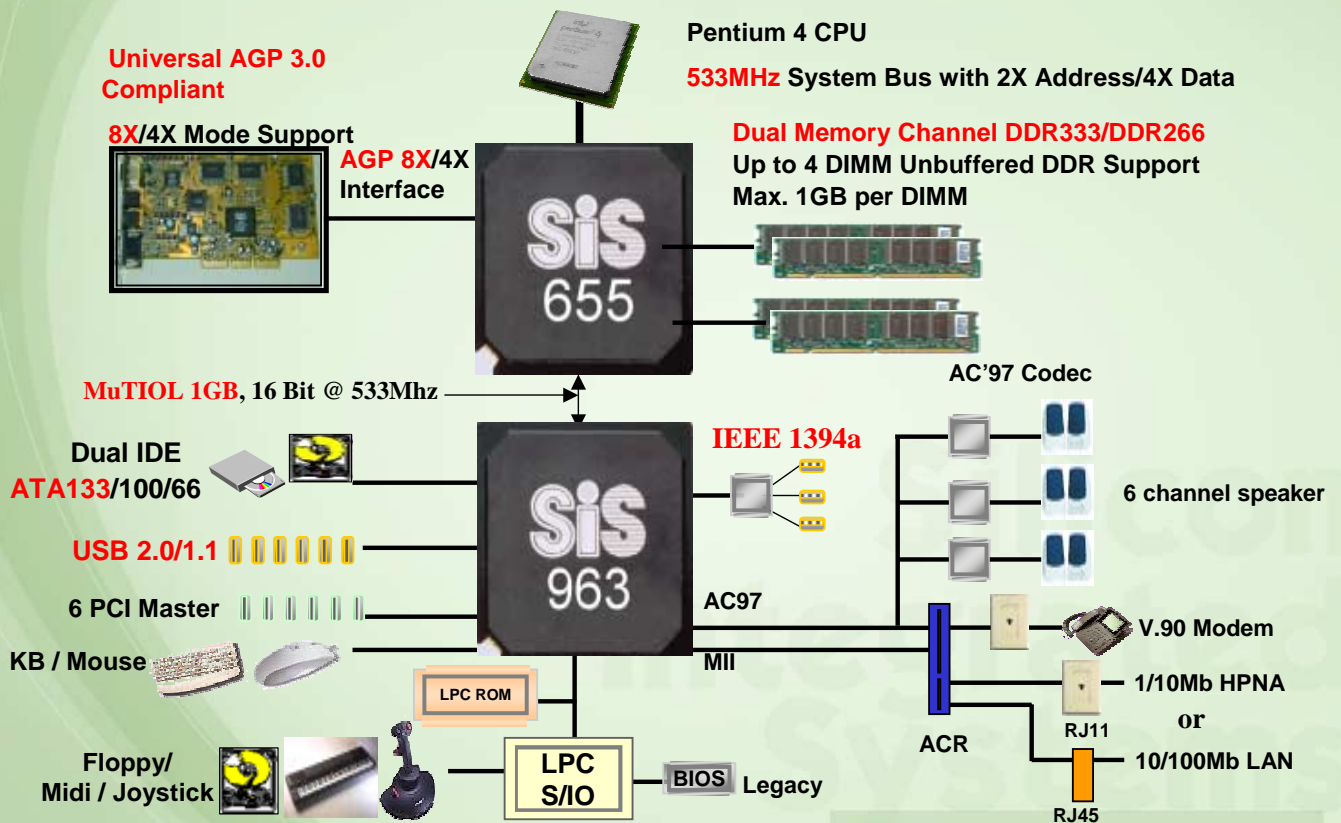
- **System Architecture and Key Feature**
- **Dual Memory Controller**
- **USB2.0 and IEEE1394a**
- **Advantages of SiS655**

Silicon
Integrated
Systems

SiS Silicon Integrated Systems Corp.



SiS655/963- P4 Dual DDR333 Chipset

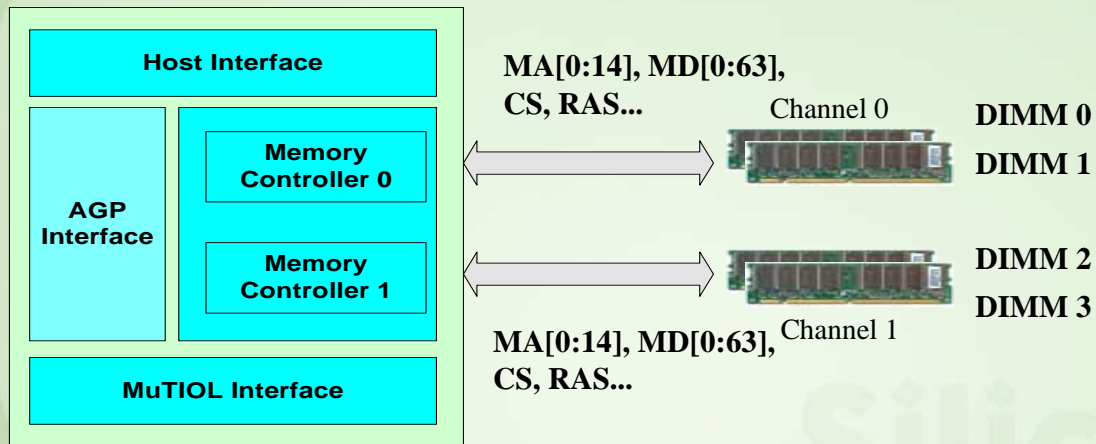


-- PC2001 Compliant --

SiS Silicon Integrated Systems Corp.



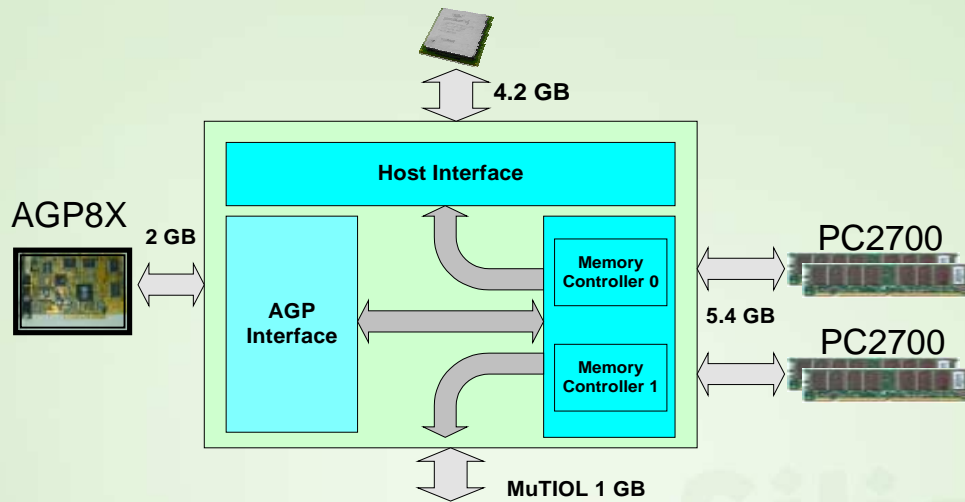
Dual Memory Controller Overview - SiS655



- Independent MA, MD, and control signals for each channel
- Support 128bit mode, Concurrent Dual64bit mode and Legacy single 64 bit mode.
- Auto Configuration for flexible DIMM combination Support



Dual Memory Controller Advantage- SiS655

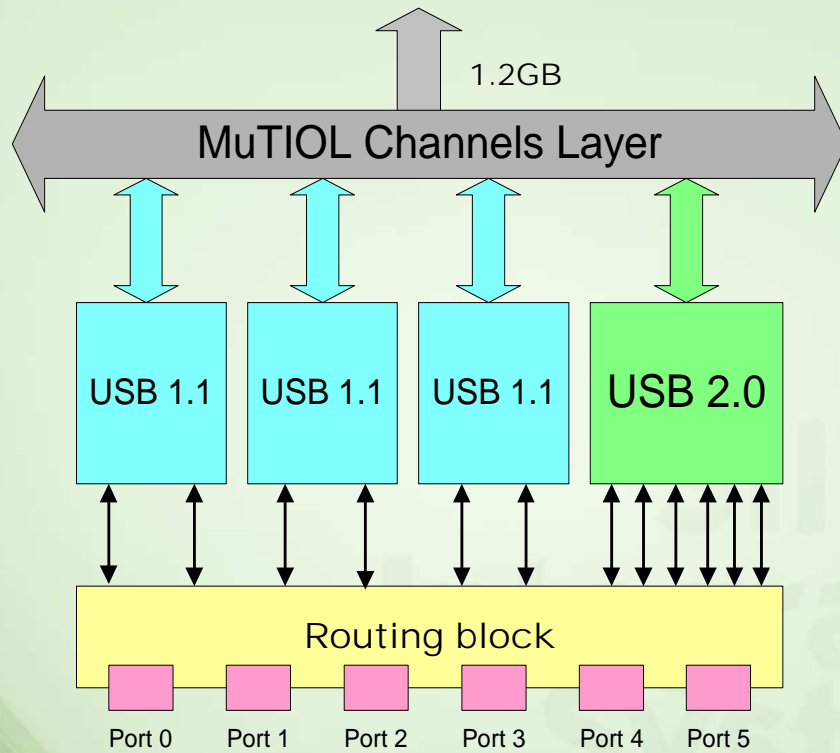


- Double memory bandwidth up to 5.4 GB @ 128bit mode and 2x64 bit mode
- 2x64bit mode provides no DIMM type and size limit for enabling Dual channel advantage.
- Simply enable dual channel advantage and upgrade the performance at inexpensive way



SiS963 -- USB2.0/1.1

Make USB Migration Smooth



Dynamic Switching to USB1.1 or USB2.0, depends on Devices

SIS Silicon Integrated Systems Corp.



USB2.0 - What it is?

- **Support PC-centric connection to High Speed and High Performance PC Peripherals.**

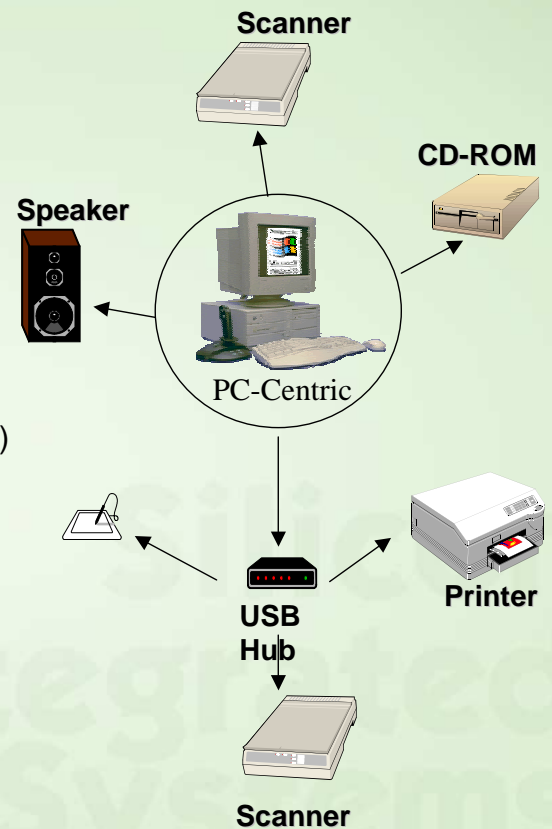
- Support High Speed Device @480 Mb/s
bandwidth = 40 times faster than USB1.1

- **Fully Backward Compatible w/ USB 1.1**

- Support USB 1.1 Full Speed Devices (12Mb/s)
and USB 1.1 Low Speed Devices (1.5Mb/s)

- **Working w/ the existing USB 1.1 connectors and cables**

- No new connectors and cables are required.





What USB2.0 Devices Available?

USB 2.0 CD-ROM/DVD-ROM



Addonics Tech.
ACOM

USB 2.0 CD-R/RW



Plextor, SONY
Fujitsu, Yamaha..

USB 2.0 CCD/Camera



AME, Opteon



USB 2.0 MO Driver



Fujitsu..

USB 2.0 Scanner



Epson, Microtek

USB 2.0 Flash card Reader



Datafab System...

USB 2.0 HDD

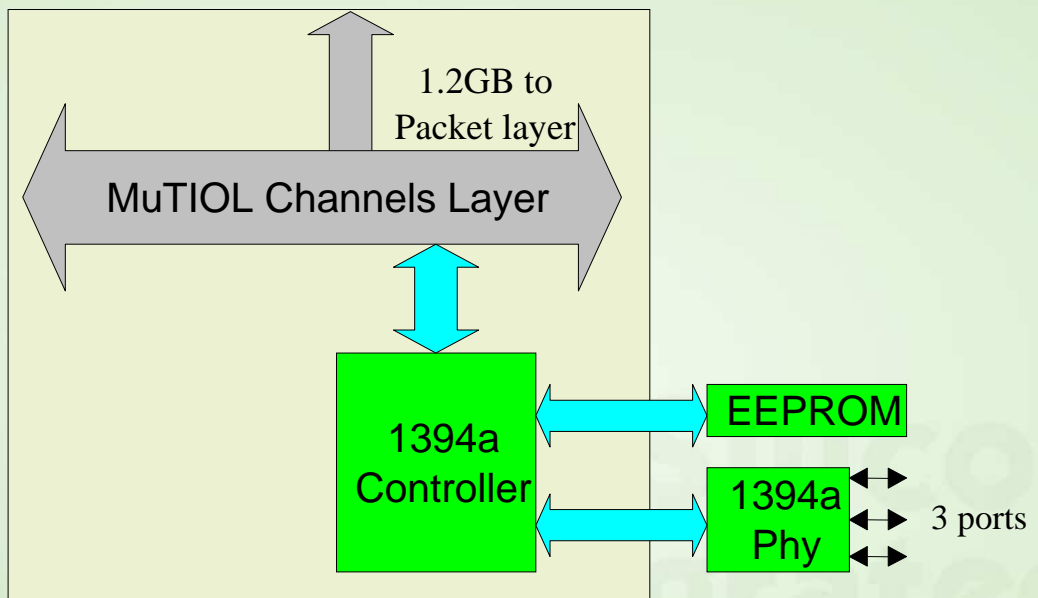


Maxtor, Fujitsu..

SIS Silicon Integrated Systems Corp.



SiS963- IEEE1394a

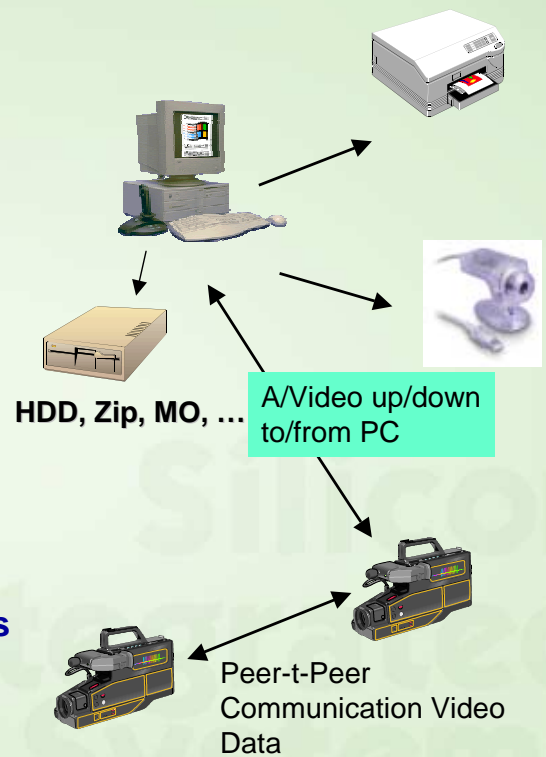


- Store 1394 Organizationally Unique Identifier (OUI/OUA) Information in EEPROM
- Share single EEPROM for both IEEE1394a OUI and LAN Mac Address information



IEEE1394a--What it is?

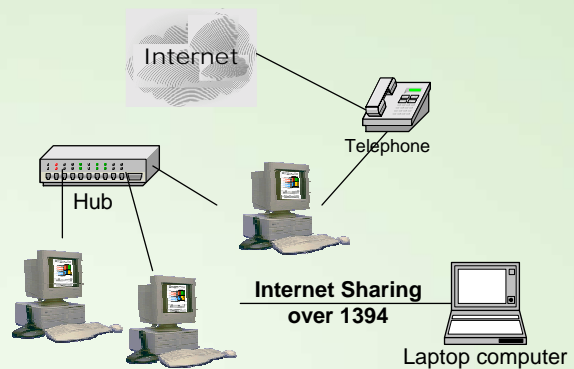
- Addressing Interconnection of Both PC Peripherals and Consumer Electronics.
- High Speed Bus Operating at data transfer rate of 100Mbps to 400 Mbps, depending on cable type
- Support Peer-to-peer communication
- Support TCP/IP Networking Capability
- Support Isochronous and asynchronous data transfer



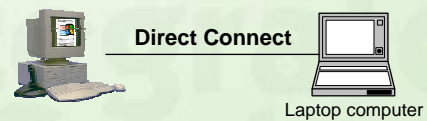


1394 TCP/IP Networking – IP over 1394

- With “IP over 1394” Support to Enabling Internet Access Sharing among Networked PCs
- With “IP over 1394” Support to Direct Connect PCs by 1394 Ports w/o Additional Hardware and Drivers
- Native “IP over 1394” Support in Windows Me and Windows XP



or



SIS Silicon Integrated Systems Corp.



What 1394a Devices Available?

PC Peripherals and Consumer Electronics

1394 HDD



IOMEGA, LaCie
VST Tech. ...

1394 DVD/8



SONY, JVC, Sharp
Panasonic, Canon

1394 MO



Fujitsu



1394 MD Recorder



Kenwood

1394 Scanner



Epson, UMAX..

1394 Music Synthesizer



Fujitsu

1394 CD-R/RW



SONY, IOMEGA

SIS Silicon Integrated Systems Corp.



The Advantages of SiS655

- **Host Interface**
 - Support Intel Pentium 4 CPU
 - **533MHz system bus** w/ 2X Address and 4X Data Rate and bandwidth of up to 4.2GB/s
 - 12 Outstanding Transactions support
 - Quasi-Synchronous/Asynchronous Host/DRAM Timing support
 - Support 2M/4M/8M/16M TSEG SMRAM
 - Support Dynamic Bus Inversion.
- **DRAM Controller**
 - Integrated Dual Memory Controller w/ 128bit mode and 64bitx2 concurrent access mode support
 - DDR333/DDR266Support
 - Support Up to 4 un-buffer Double-sided DIMM
 - Max. 1GB per DIMM with 512Mb tech.
- **AGP 3.0 and AGP2.0 Compliant**
 - 8X/4X/2X Mode Support
 - Fast Write Support
 - Support 1.5V interface only
- **SiS MuTIOL Technology Delivering 1GB/sec Bandwidth**

SiS Silicon Integrated Systems Corp.



SiS963 MuTIOL Media IO

- **USB 2.0 /1.1 Support**
 - Integrated Three Independent Open HCI Controllers includes Root Hub w/ two USB 1.1 ports each
 - Integrated One EHCI Controller includes Root Hub w/six USB 2.0 ports
 - Support a maximum of 6 USB Ports. Dynamic connection to USB 1.1 or USB 2.0.
- **IEEE 1394a Controller Integrated**
 - OHCI 1394a 1.1 compliance
 - Up to three 1394a ports support w/ external 1394a Phy.
- **IDE Controller**
 - Dual Independent IDE Channels with **ATA133**/100/66 support
- **Integrated MAC Controller with Standard MII Interface**
- **Integrated Audio Controller w/ AC97 2.2 Compliance Interface**
 - Support **5.1 channel of Audio output** and V.90 HSP Modem
 - Support 4 Separate SDATAIN Pins for 3 x 2 ch Audio Codec + 1 Modem Codec
- **PCI 2.2 Compliant**
 - Support up to 6 PCI Masters
- **LPC Interface 1.0 Compliance**
- **ACPI 1.0b Compliance**
- **I/O APIC Support**
- **PC2001 Compliance**
- **SiS MuTIOL Technology Delivering 1GB/sec Bandwidth**

©2004 Silicon Integrated Systems Corp.