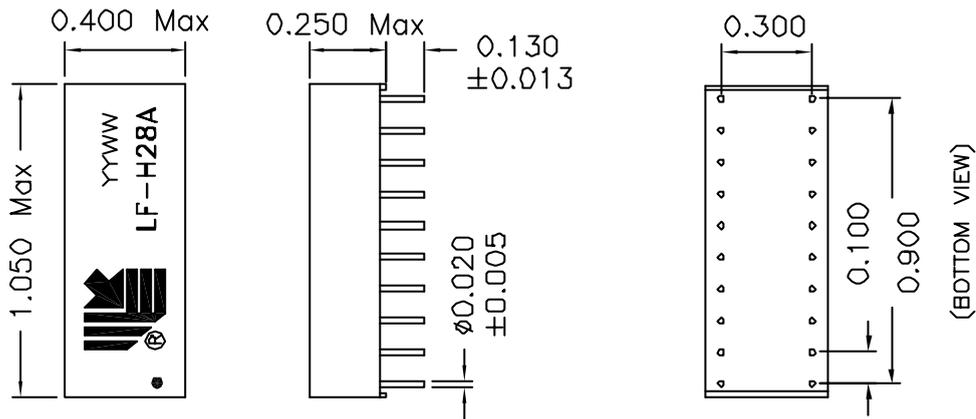


10/100BASE-TX MAGNETICS MODULE

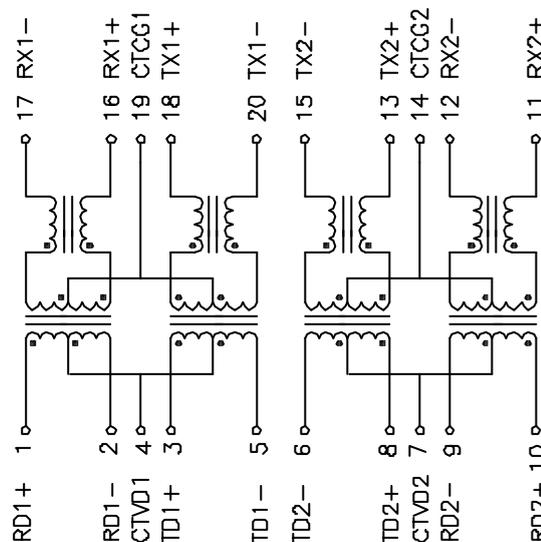
Electrical Specifications: @25

Turns Ratio: PRI/SEC TX 1CT:1CT $\pm 3\%$ RX 1CT:1CT $\pm 3\%$
 Isolation Voltage: 1500 Vrms (Input to Output)
 OCL: 350uH Minimum @100KHz 100mV 8mADC
 Leakage Inductance: 0.4uH Maximum @100KHz 100mV PRI Shorted
 PRI/SEC Cw/w: 20pF Typical @100KHz 100mV
 Rise Time: 2.5ns Typical
 Insertion Loss: -1.0dB Maximum @100KHz - 100MHz
 Return Loss: -18dB Minimum @1MHz-30MHz
 -15dB Minimum @40MHz-50MHz
 -12dB Minimum @60MHz - 80MHz
 Crosstalk: -32dB Minimum @100KHz-100MHz
 CMRR: -40dB Typical @100KHz - 100MHz

Mechanicals:



Schematics:



Specification subject to change without notice

P/N: LF-H28A	DIMENSIONS IN INCH	Unless otherwise specified Dim. Tolerances are: .xxx ± 0.010	REV: A1	DRWN:	DATE: 03-09-22
	SCALE: NONE		PAGE: 1/1	APPD:	DATE: