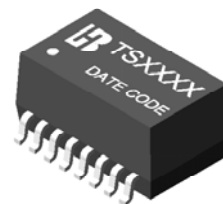


10/100 BASE PULSE TRANSFORMERS (SMD) SMALL SIZE

462 Boston St - Topsfield, MA 01983 - Phone: 978-887-8050 - Fax: 978-887-5434

- Low leakage inductance and winding capacitances for fast rise time
- High isolation voltages to comply with international safety requirements for LANs
- Half port and single port designs for maximum layout flexibility
- Compatible with Intel, TDK, QSI, and ICS transceivers
- 16 PIN SMD package to compliant with IEEE 802.3 standard
- Storage temperature range: -40°C to +125°C


Electrical Specifications @ 25°C Operating Temperature range: 0°C to +70°C

Part Number	Insertion Loss (dB Max)	Return Loss (dB Min)				Cross talk (dB Min)	CMRR (dB Min)	
		0.3~100MHz	0.3-30MHz	40MHz	50MHz		60-80MHz	0.3-100MHz
TS6121A	-1.1	-18	-15.5	-13	-12	-38	-40	
TS6121B	-1.15	-18	-15.5	-13.6	-12	-38	-40	
TS6121E	-1.15	-18	-15.5	-13	-12	-38	-40	
TS6121F	-1.1	-18	-15.5	-13	-12	-30	-40	
TS6121G	-1.15	-18	-15.5	-13	-12	-38	-40	
TS6121H	-1.15	-18	-15.5	-13.6	-12	-35	-40	
TS6121K	-1.15	-18	-15.5	-13	-12	-50	0.3-60MHz	60-100MHz
							-45	-35

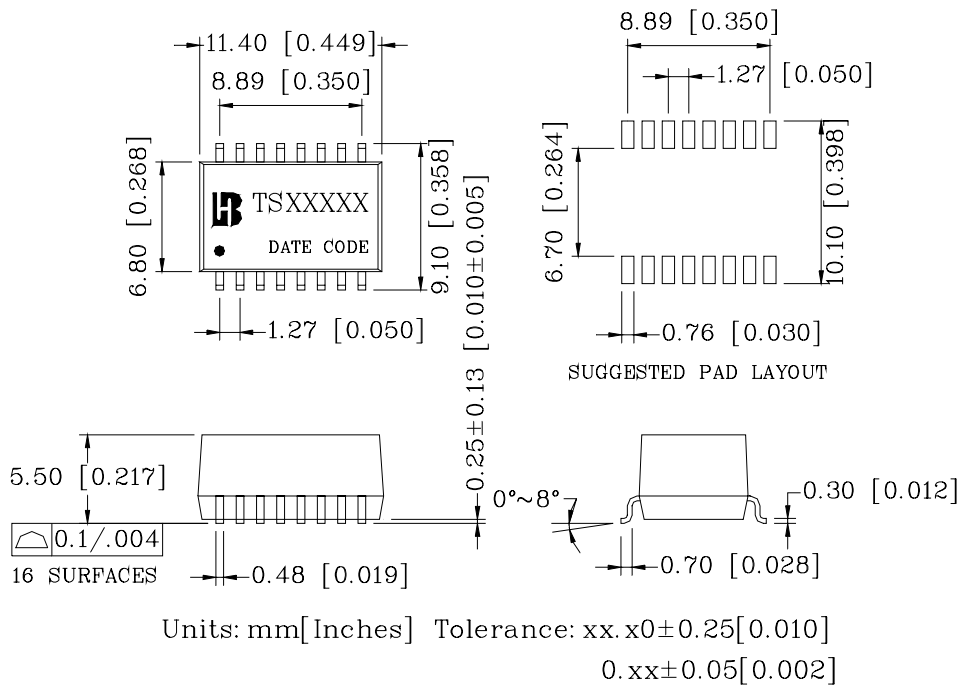
Part Number	Insertion Loss (dB Max)	Return Loss (dB Min)			Cross talk (dB Min)			Differential to Common Mode Rejection (dB Min)		
		0.3~100MHz	30MHz	60MHz	80MHz	30MHz	60MHz	100MHz	30MHz	60MHz
TS6121C	-1.15	-20	-14	-12	-45	-40	-35	-42	-37	-33
TS6121CX	-1.15	-20	-14	-12	-45	-40	-35	-42	-37	-33
TS6121K	-	-	-	-	-	-	-	0.3-60MHz	60-100MHz	
								-45	-35	

Part Number	Turns Ratio (±5%)	OCL (uH Min)	L.L (uH Max)	CW/W (pF Max)	HI-POT (Vrms)	DCR Primary (Ω Max)
TS6121A	1CT:1CT	350	0.5	28	1500	0.7 Pin 1-3/6-8 & 1.1 Pin 11-9
TS6121B	1.25CT:1CT/1CT:1CT	350	0.5	28	1500	0.9
TS6121C	1CT:1CT	350	0.5	28	1500	0.7 Pin 1-3/6-8 & 1.1 Pin 11-9
TS6121CX	1CT:1CT	350	0.5	56	1500	0.7 Pin 1-3/6-8 & 1.1 Pin 11-9
TS6121E	1CT:1CT	350	0.5	28	1500	0.7 Pin 1-3/6-8 & 1.1 Pin 11-9
TS6121F	1CT:1CT	350	0.5	28	1500	0.7 Pin 1-3/6-8 & 1.1 Pin 11-9
TS6121G	1CT:1CT	350	0.5	28	1500	0.7 Pin 1-3/6-8 & 1.1 Pin 11-9
TS6121H	1CT:1CT	350	0.4	28	1500	0.7 Pin 1-3/6-8 & 1.1 Pin 11-9
TS6121K	1CT:1CT	350	0.5	28	1500	0.7 Pin 1-3/6-8 & 1.1 Pin 11-9

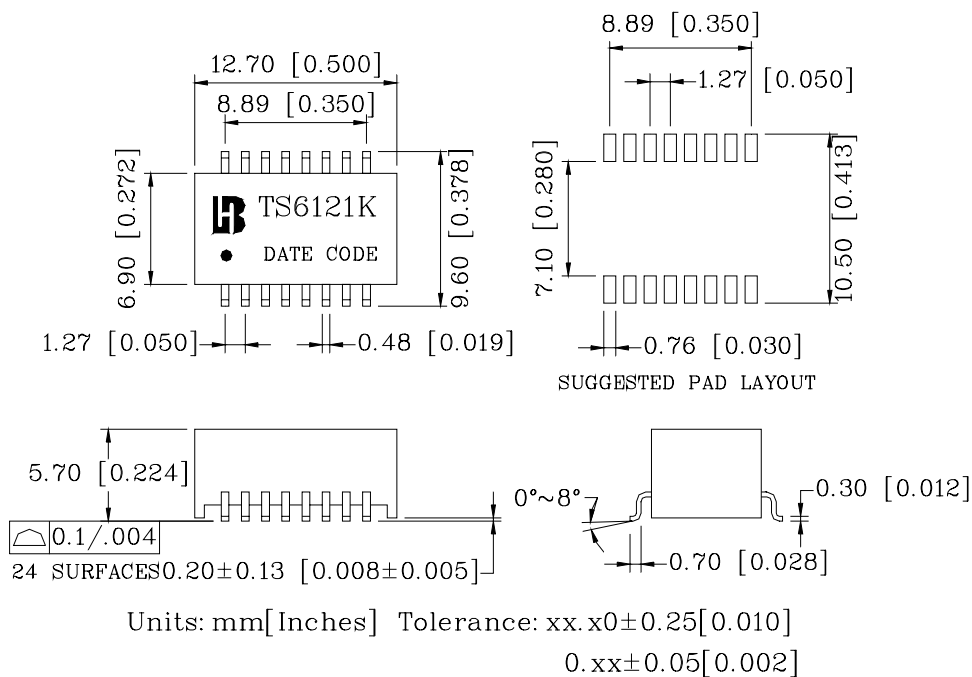
10/100 BASE PULSE TRANSFORMERS (SMD) SMALL SIZE

462 Boston St - Topsfield, MA 01983 - Phone: 978-887-8050 - Fax: 978-887-5434

Mechanicals



TS6121K

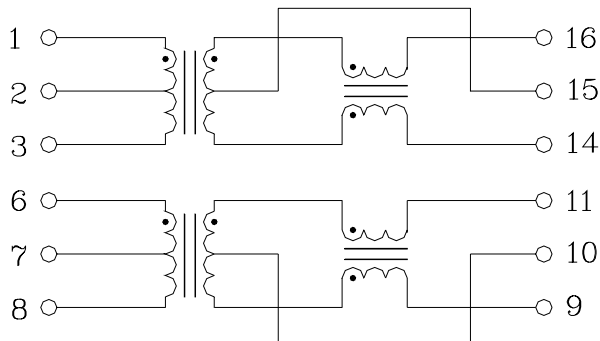


10/100 BASE PULSE TRANSFORMERS (SMD) SMALL SIZE

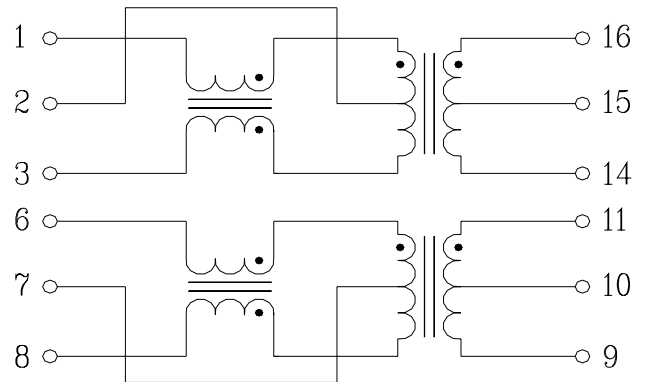
462 Boston St - Topsfield, MA 01983 - Phone: 978-887-8050 - Fax: 978-887-5434

Schematics

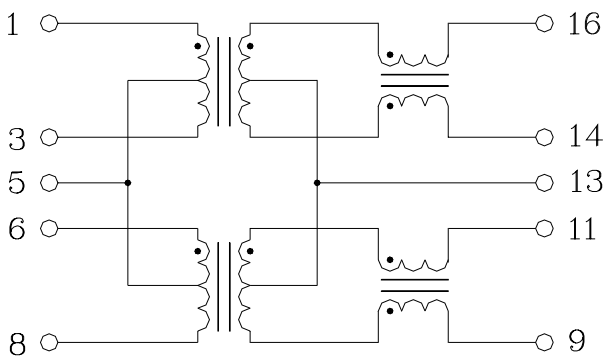
TS6121C,



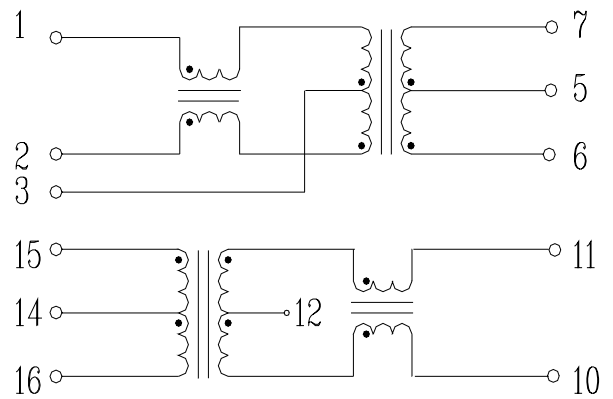
TS6121A, TS6121B



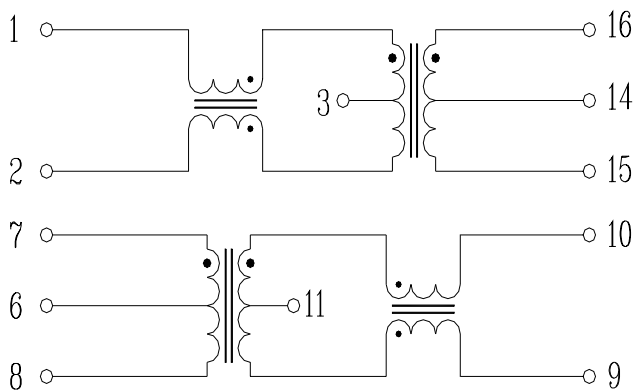
TS6121CX



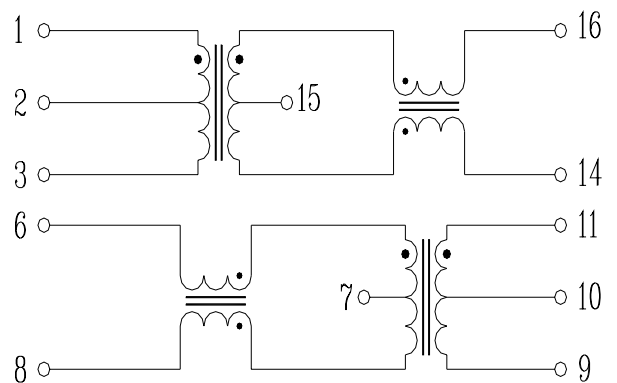
TS6121E



TS6121F



TS6121G



10/100 BASE PULSE TRANSFORMERS (SMD) SMALL SIZE

462 Boston St - Topsfield, MA 01983 - Phone: 978-887-8050 - Fax: 978-887-5434

