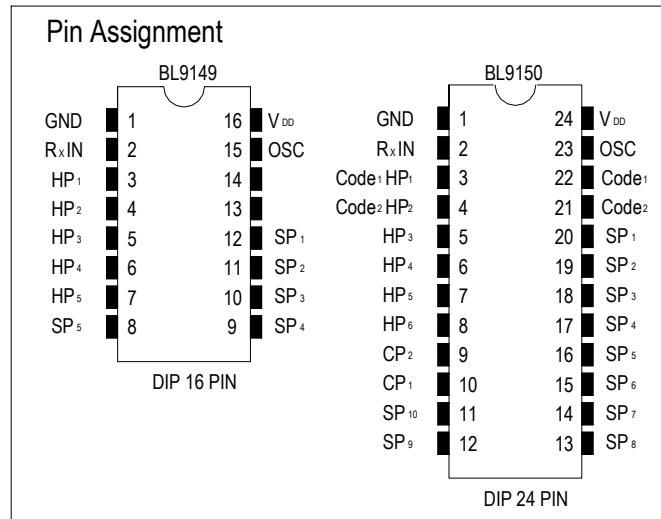


Description

The BL9149/9150 is CMOS LSI designed for use on the general infrared ray remote control receiver, and when it is used in combination with BL9148, the remote control system can be constructed. The BL9149 is DIP 16 Pin type and is capable of controlling 10 functions, while the BL9150 is DIP 24 PIN type and is capable of controlling 18 functions. Except these, the principle and the block diagram of the two circuits are almost the same.



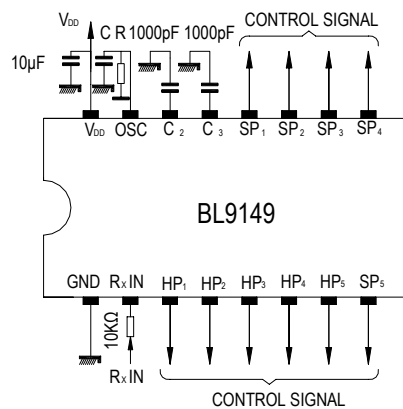
Features

- Able to output multiple keying signals parallel sent from the BL9148 (The BL9149 is able to output parallel up to 5 functions, while the BL9150 is up to 6 functions)
- Single pulse, continuous pulse and cyclic pulse outputs are provided, (Cyclic pulse is available only for BL9150)
- A single terminal type oscillator by means of CR is provided.
- Code detection circuit provided for code check with the transmitter preventing interferences form other types.

Applications

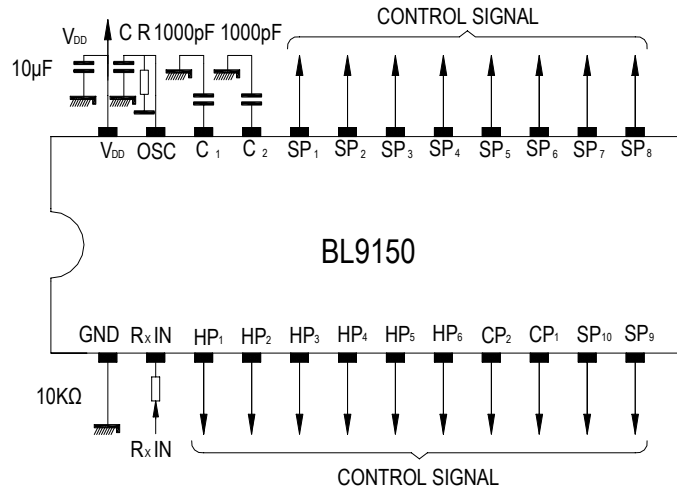
Use as remote control transmitters in audios, air conditioners, toys and others.

BL9149 External Circuit



Note: R=39k,C=1000pF

BL9150 External Circuit



Note: R=39k,C=1000pF

BL9149/BL9150