



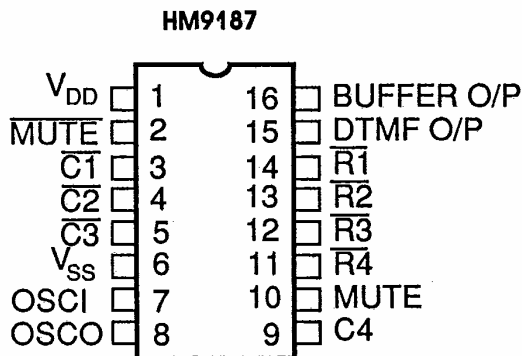
HM9187

TONE DIALER

Features

- Low output tone distortion: 7%.
- Wide operating supply voltage range: 2.0 to 5.5V
- Oscillator bias resistor on-chip.
- Can be powered directly from telephone line or from small batteries.
- Use 3.579545MHz crystal.
- Mute drivers on-chip.
- On-chip generation of reference voltage to assure amplitude stability.
- Interfaces directly to a standard telephone push-button or calculator type XY keyboard.

Pin Assignment



Keyboard Scheme

COL1	COL2	COL3	COL4	
1	2	3	A	ROW1
4	5	6	B	ROW2
7	8	9	C	ROW3
*	0	#	D	ROW4