

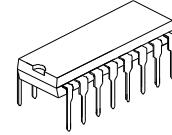
2-CH ELECTRONIC VOLUME CONTROLLER

DESCRIPTION

The SC9153 is CMOS IC which has been designed for electronization volume control of audio equipment, etc.

FEATURES

- * Wide operating voltage range (VDD=6V ~ 12V)
- * Low current consumption.
- * Attenuation can be controlled from 0dB to -66dB by 2dB/step
- * Both of dual power suppliers of (+) and (-) and a single power supply can be used.
- * Be capable of controlling attenuation by means of the built-in oscillator and the up/down terminals.

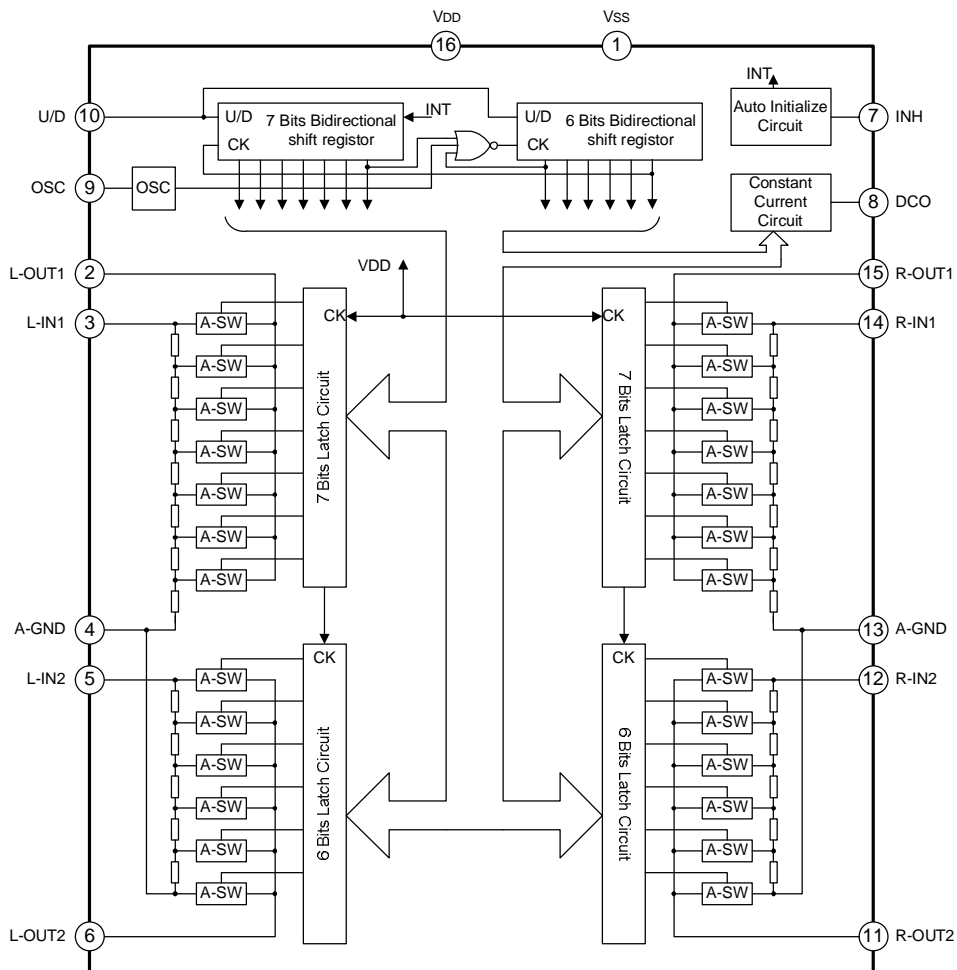


DIP-16-300-2.54

ORDERING INFORMATION

Device	Package
SC9153	DIP-16-300-2.54

BLOCK DIAGRAM



ABSOLUTE MAXIMUM RATINGS

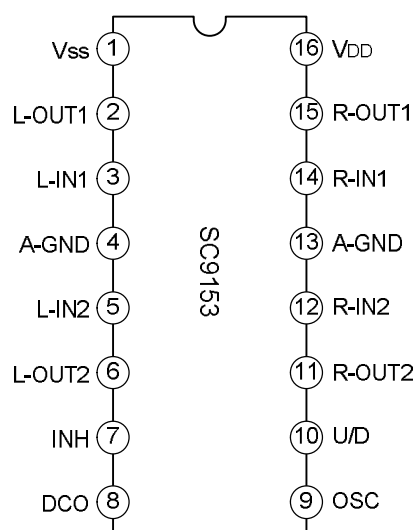
Characteristics	Symbol	Value	Unit
Supply Voltage(Pin 16)	V _{DD}	13.0	V
Input/Output Voltage	V _{IN}	V _{SS} -0.3V ~ V _{DD} +0.3V	V
Power Dissipation	P _D	150	mW
Operating Temperature	T _{opr}	-30 ~ +75	°C
Storage Temperature	T _{stg}	-55 ~ +125	°C

www.DataSheet4U.com

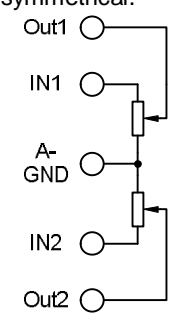
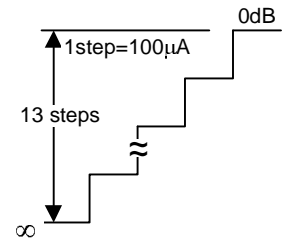
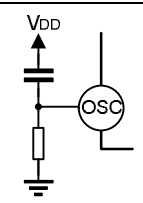
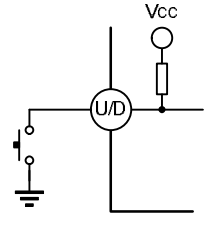
ELECTRICAL CHARACTERISTICS(T_{amb}=25°C, V_{DD}=12.0V, V_{SS}=0V, Unless otherwise specified)

Characteristics	Symbol	Test conditions	Min.	Typ.	Max.	Unit
Operating Supply Voltage	V _{DD}		6	9	12	V
Operating supply current	I _{DD}			1	3	mA
Input Voltage	"H" Level	INH,U/D	0.8*V _{DD}		V _{DD} +0.3	V
	"L" Level		V _{SS} -0.3		0.2*V _{DD}	
Backup current	I _B	V _{DD} =4V, INH="L"			10	μA
Attenuator 1 (10dB/step) resistor	RATT-1	R-IN1(L-IN1) ~ A-GND	25	50	70	kΩ
Attenuator 2 (2dB/step) resistor	RATT-2	R-IN2(L-IN2) ~ A-GND	10	20	28	kΩ
Attenuator Error					2	dB
Maximum Input Amplitude	V _{in}	Biase V _{DD} /2=6V			4.0	V _{rms}
Total Harmonic Distortion	THD	ATT=-10dB, f _{in} =1kHz, V _{in} =1.0Vp-p		0.005	0.01	%
DCO output current	I _{DCO}	1 step	70	100	140	μA
Oscillation frequency	f _{OSC}		5		10	Hz

PIN CONFIGURATION



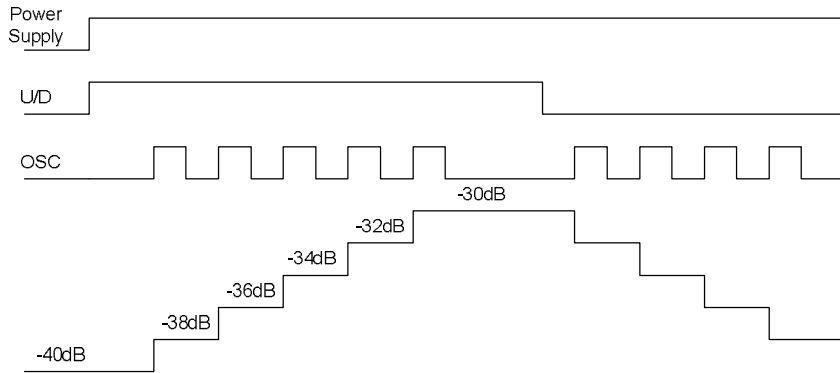
PIN CONFIGURATION

Pin No.	Symbol	Function	Remark
2,15	L-OUT1, R-OUT1	10dB/step attenuator outputs. A signal applied to IN is attenuated in 7 steps from 0dB to 60dB at 10dB/step.	<p>the right and left channel is symmetrical.</p> 
3,14	L-IN1, R-IN1	10dB/step attenuator inputs	
4,13	A-GND	Analog ground terminal	
5,12	L-IN2, R-IN2	2dB/step attenuator inputs	
6,11	L-OUT2, R-OUT2	2dB/step attenuator outputs. A signal applied to IN is attenuated in 5 steps from 0dB to 8dB at 2dB/step.	
7	INH	Inhibit terminal. When this terminal is at "L" level, all input/output cut off and the SC9153 is placed in the inhibit state. When at "H" level, the SC9153 operates normally.	
8	DCO	DC current output for displaying attenuation. Attenuation 0dB-∞ is divided into 13 steps and approx 100μA/step is transmitted.	<p>connect a resistor to Vss through this port.</p> 
9	OSC	R,C connecting terminal or the oscillator. Up/down speed of attenuation is decided by the attenuation up/down control oscillator according to this time constant.	
10	U/D	Attenuation terminal for oscillator. When this terminal is at "H" level, sound volume is increased synchronizing with rise of the oscillator. Conversely, when this pin is at "L" level, sound volume is decreased.	
1	Vss	(-) Power supply terminal	
16	VDD	(+) Power supply terminal	

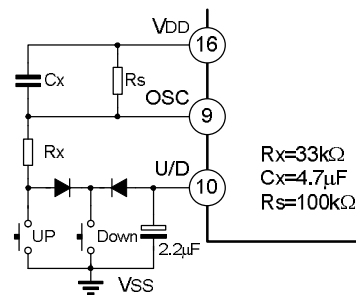
DESCRIPTION OF OPERATION

1. SETTING OF ATTENUATION

On the SC9153, attenuation can be increased/decreased according to the state of U/D terminal "H" or "L" level) by actuating the build-in oscillator. The attenuation is automatically set at the -40dB positions when power is applied.



When the UP key is pressed after power ON, the U/D terminal is placed in the UP state at "H" level, and the oscillator is actuated. When the DOWN key is pressed, the U/D terminal is kept at "L" level as long as the Down key is pressed, and the oscillator is actuated in the down state and therefore, attenuation is decreased. Oscillation frequency is decided by Cx and Rx.



$$F_{osc} = 1 / (0.7 * R_x * C_x) \text{ (Hz)} \quad (R_s > 3R_x)$$

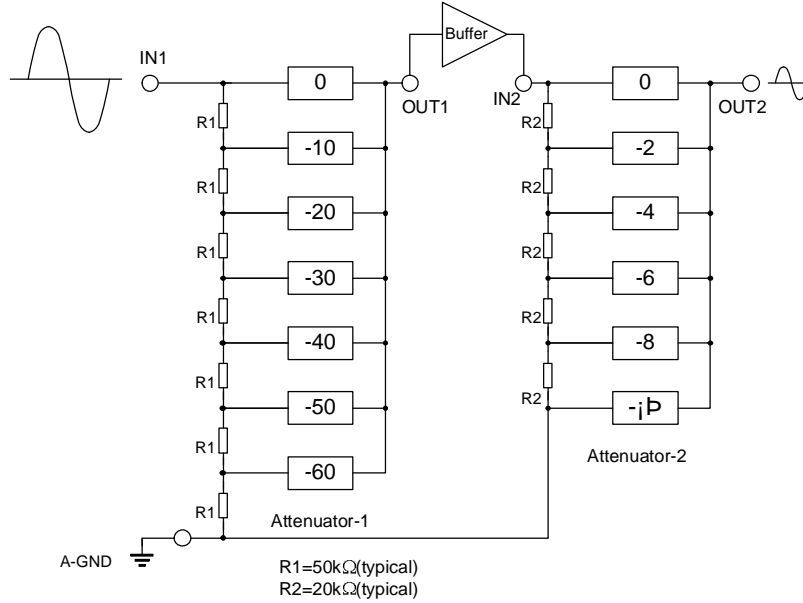
2. ATTENUATION DISPLAY OUTPUT

The SC9153 is provided with DC current output terminal for displaying attenuation. With 0dB ~ ∞ divided into 13 steps, current of approx 100µA/step is transmitted.

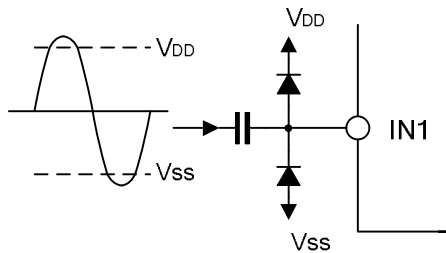
STEP	IDCO	ATTENUATION	REMARKS
0	0	-64dB ~ ∞	
1	1 × IDCO	-60dB ~ -62dB	
2	2 × IDCO	-54dB ~ -58dB	
3	3 × IDCO	-50dB ~ -52dB	
4	4 × IDCO	-44dB ~ -48dB	
5	5 × IDCO	-40dB ~ -42dB	
6	6 × IDCO	-34dB ~ -38dB	
7	7 × IDCO	-30dB ~ -32dB	
8	8 × IDCO	-24dB ~ -28dB	
9	9 × IDCO	-20dB ~ -22dB	
10	10 × IDCO	-14dB ~ -18dB	
11	11 × IDCO	-10dB ~ -12dB	
12	12 × IDCO	-4dB ~ -8dB	
13	13 × IDCO	0dB ~ -2dB	

3. ATTENUATOR

The attenuator unit consist of diffused resistors and analog switches. Attenuator-1 attenuates 0 ~ 60dB at 10dB/step while Attenuator-2 attenuates 2~8db at 2dB/step, a total of 0~ 66dB at 2dB/step.



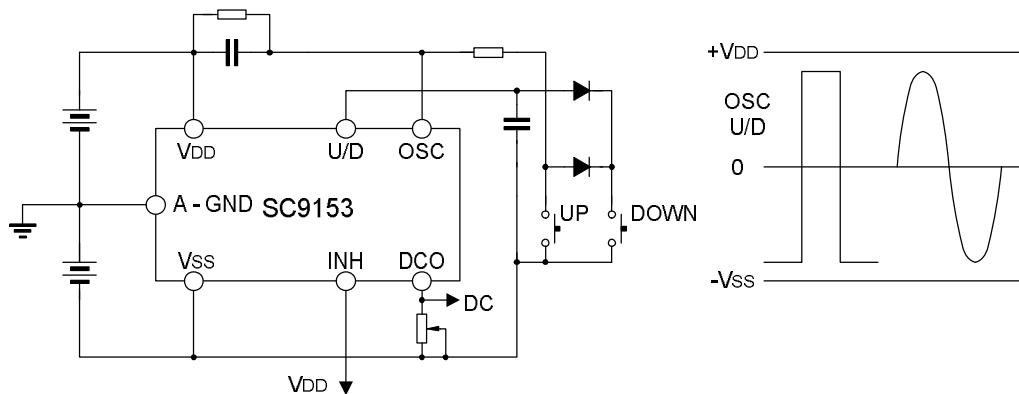
www.DataSheet4U.com



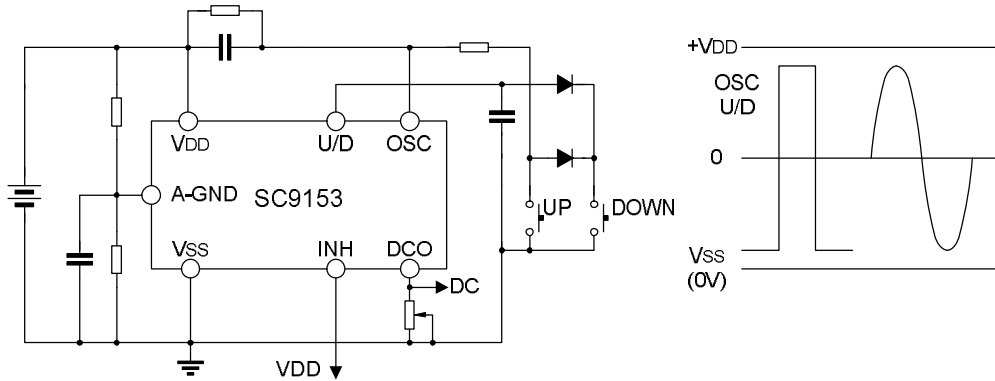
If there is possibility for excessive voltage being to the attenuator, it is recommended to insert a protected diode as illustrated below.

4. POWER SUPPLY

DUAL POWER SUPPLY



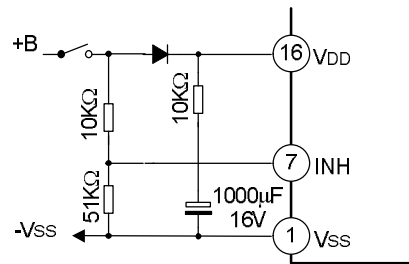
SINGLE POWER SUPPLY



5. BACKUP WHEN POWER OFF

On the SC9153, when the INH terminal is set at “L” level, all input/output terminal are shut off and current consumption is reduced to the minimum. The backup by means of a capacitor become possible in this condition. An example of application, when a backup capacitor is used, is shown right.

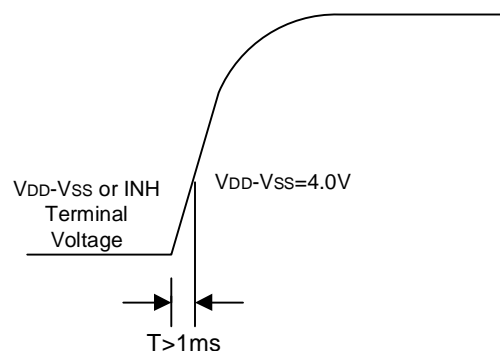
If VDD-VSS drops below 4.0V, the backup becomes impossible.



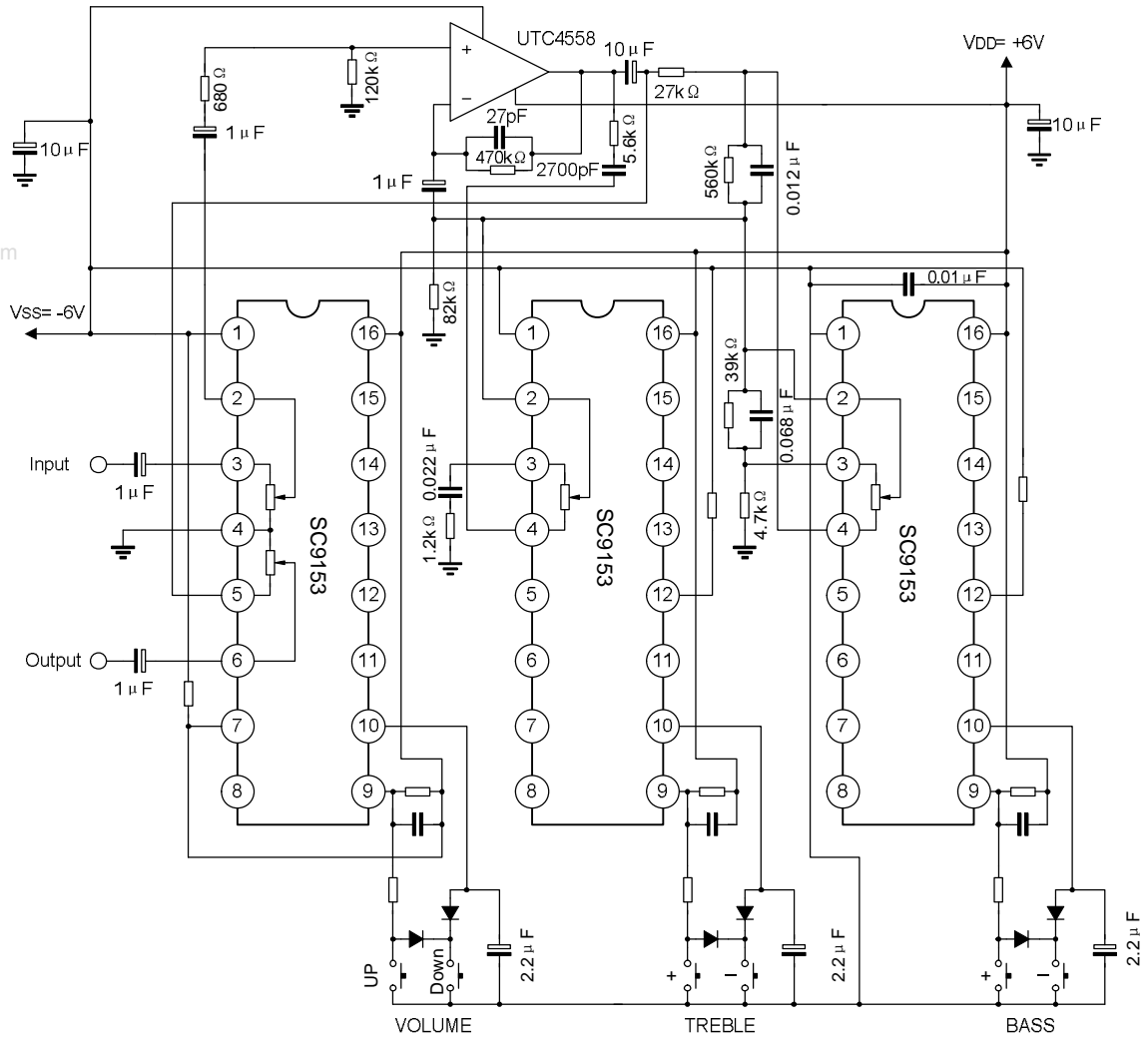
6. INITIALIZATION WHEN POWER ON

The SC9153 has the auto-initializing built-in for initialization at time of power ON. As the initializing system through detection of supply voltage level is adopted. if rise power supply is too fast, the initialization may not be fully effected.(No external initialization is necessary.)In addition for effective initialization, it is necessary that the INH terminal is raised simultaneously with supply voltage. Further, the initializing level is -40dB.

It is recommended to rise supply voltage and the INH terminal as illustrated below. If the VDD-VSS drops below 4.0V, the auto-initializing function is actuated.



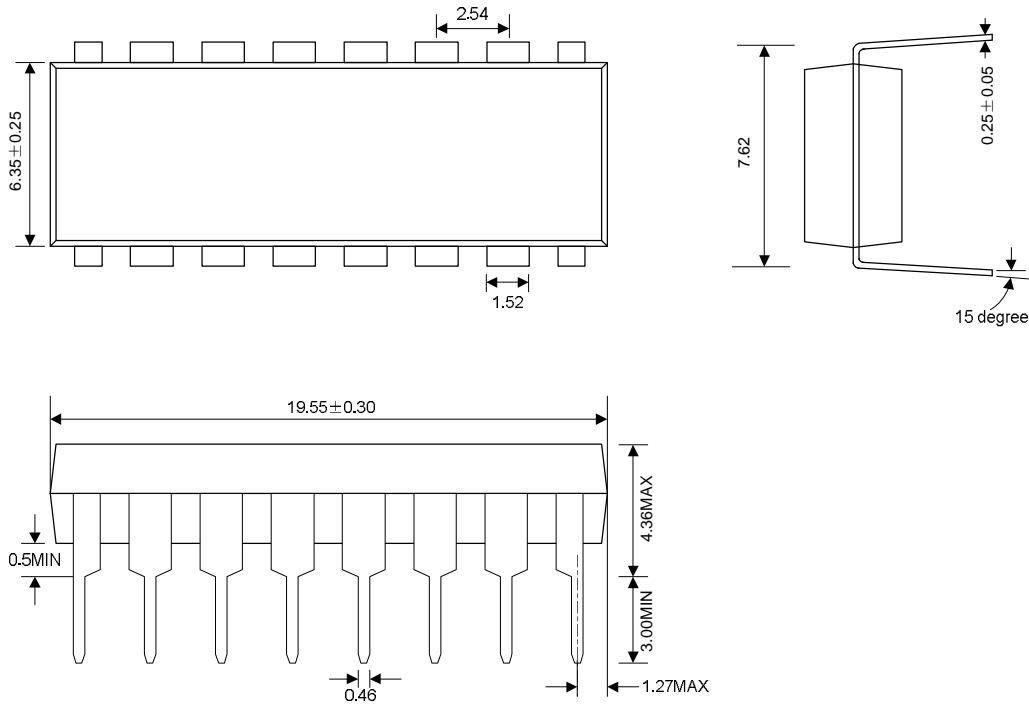
APPLICATION CIRCUIT (L-CH ONLY)



PACKAGE OUTLINE

DIP-16-300-2.54

UNIT: mm



HANDLING MOS DEVICES:

Electrostatic charges can exist in many things. All of our MOS devices are internally protected against electrostatic discharge but they can be damaged if the following precautions are not taken:

- Persons at a work bench should be earthed via a wrist strap.
- Equipment cases should be earthed.
- All tools used during assembly, including soldering tools and solder baths, must be earthed.
- MOS devices should be packed for dispatch in antistatic/conductive containers.

ATTACHMENT**Revision History**

Data	REV	Description	Page
2000.12.31	1.0	Original	
2003.06.09	2.0	"SC9153A" change to "SC9153"	
2006.11.07	2.1	Modify the "ELECTRICAL CHARACTERISTICS"	
2007.05.10	2.2	Modify the "PIN DESCRIPTION" and "FUNCTION DESCRIPTION"	